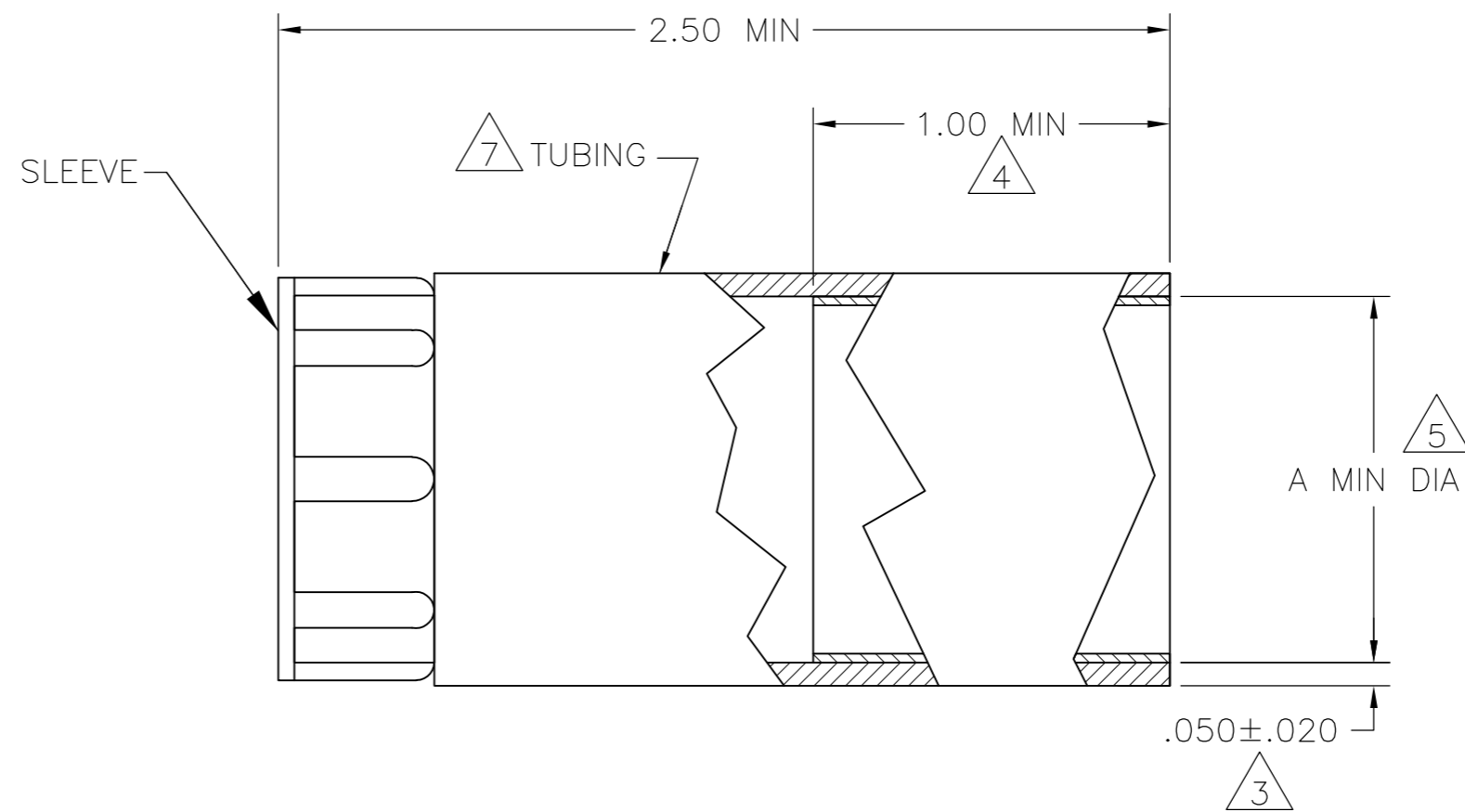
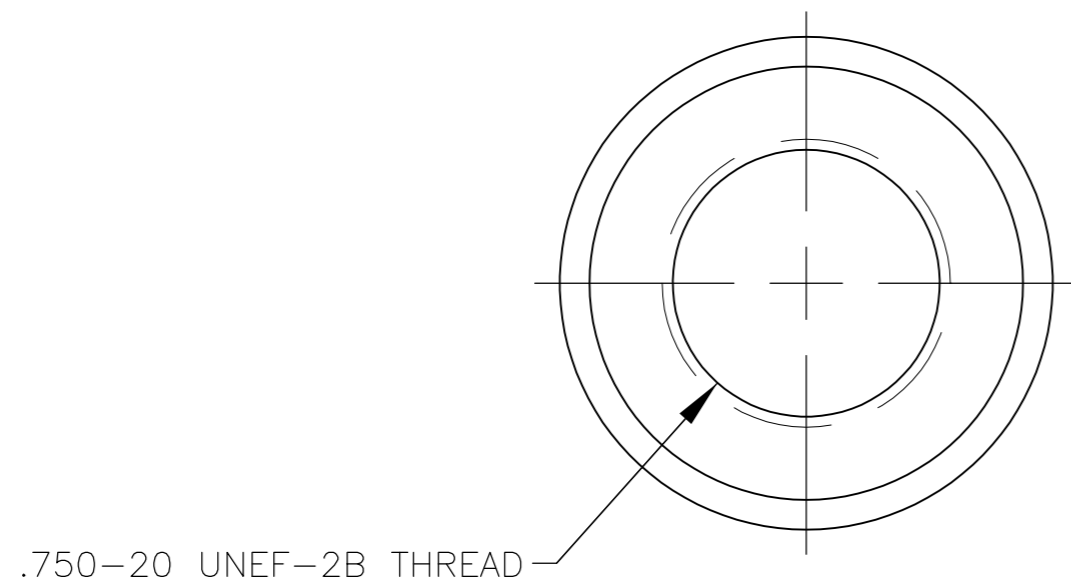


THIS DRAWING IS UNPUBLISHED. RELEASED FOR PUBLICATION
 © COPYRIGHT - By - ALL RIGHTS RESERVED.

LOC	DIST	REVISIONS			
P	LTR	DESCRIPTION	DATE	DWN	APVD
U2		REVISED PER ECO-14-008433	05JUN2014	NK	MZ



MARKING DETAIL

- 1 POLYOLEFIN, BLACK.
- 2 NYLON, BLACK.
- 3 NOMINAL WALL THICKNESS, EXPANDED.
- 4 LENGTH OF SEALANT.
- 5 EXPANDED INSIDE DIAMETER.
- 6 ASSEMBLY WILL PASS 0.0703 KG PER SQ CENTIMETER [ONE POUND PER SQ IN.] WATER PRESSURE TEST.
- 7 121°C [250°F] SHRINK TEMPERATURE.
- 8 -55°C TO 110°C [-67°F TO 230°F] OPERATING TEMPERATURE.
- 9 SEE P/N CHART FOR MARKING. WHITE CHARACTERS .15 MIN HIGH AND LOCATED ON THE OUTSIDE SURFACE OF THE TUBING
- 10 PRELIMINARY PART-NOT FOR PRODUCTION

10	TE 54123-3	.775	.375-.725	.300	54123-3
OBSELETE	NONE	.980	.250-.375	.195	54123-2
	NONE	.775	.375-.725	.300	54123-1
	MARKING	A	5 CABLE DIA RANGE	MAXIMUM RECOVERED INSIDE DIAMETER	PART NUMBER

THIS DRAWING IS A CONTROLLED DOCUMENT.		DWN	02 SEP 99	
DIMENSIONS: INCHES		CHK	S.WELDON	
TOLERANCES UNLESS OTHERWISE SPECIFIED:		APVD	-	
0 PLC	± -	PRODUCT SPEC	-	
1 PLC	± -	APPLICATION SPEC	-	
2 PLC	± -	WEIGHT	-	
3 PLC	± -	CUSTOMER DRAWING	-	
4 PLC	± -	SCALE	2:1	
ANGLES	± -	SHEET	1 of 1	
FINISH	-	REV	U2	

TE TE Connectivity
 STRAIN RELIEF ASSY, SHELL, SIZE 13, CPC

SIZE	CAGE CODE	DRAWING NO	RESTRICTED TO
A2	00779	C=54123	-