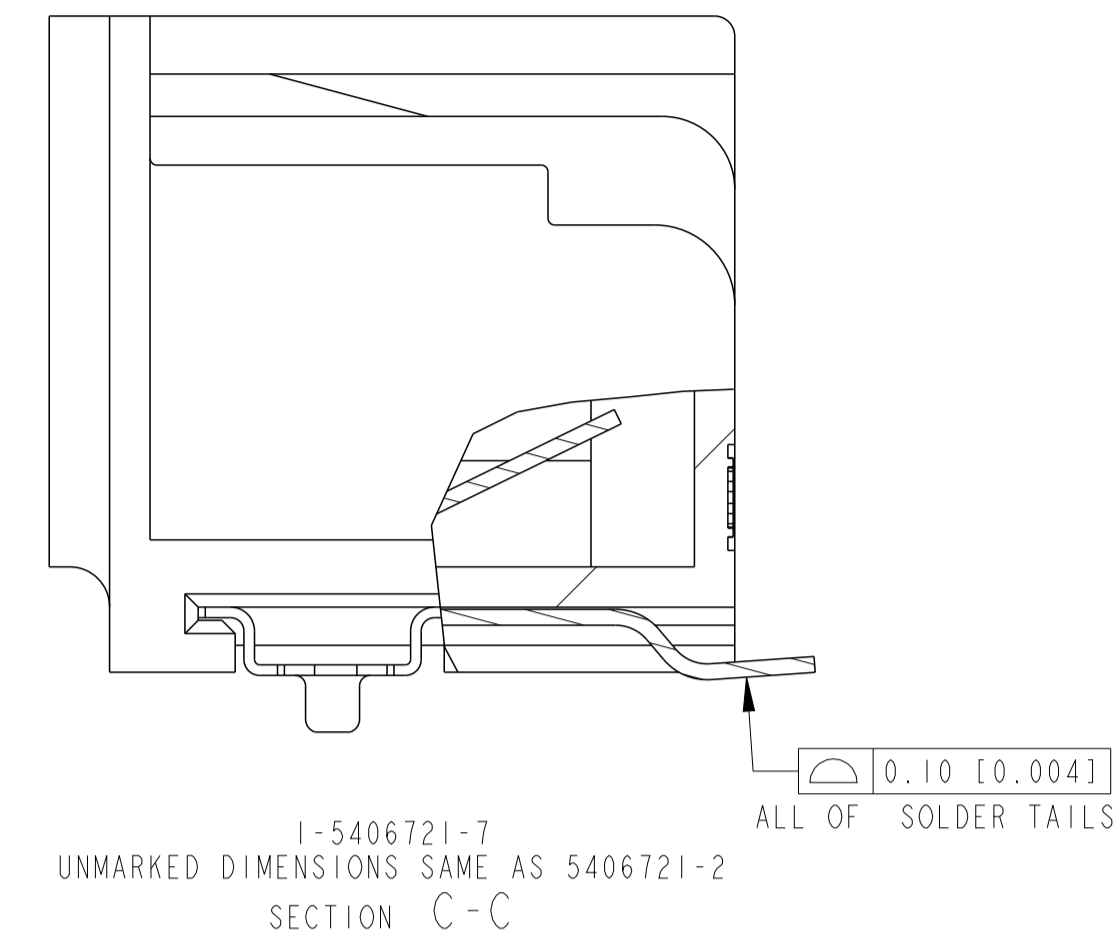
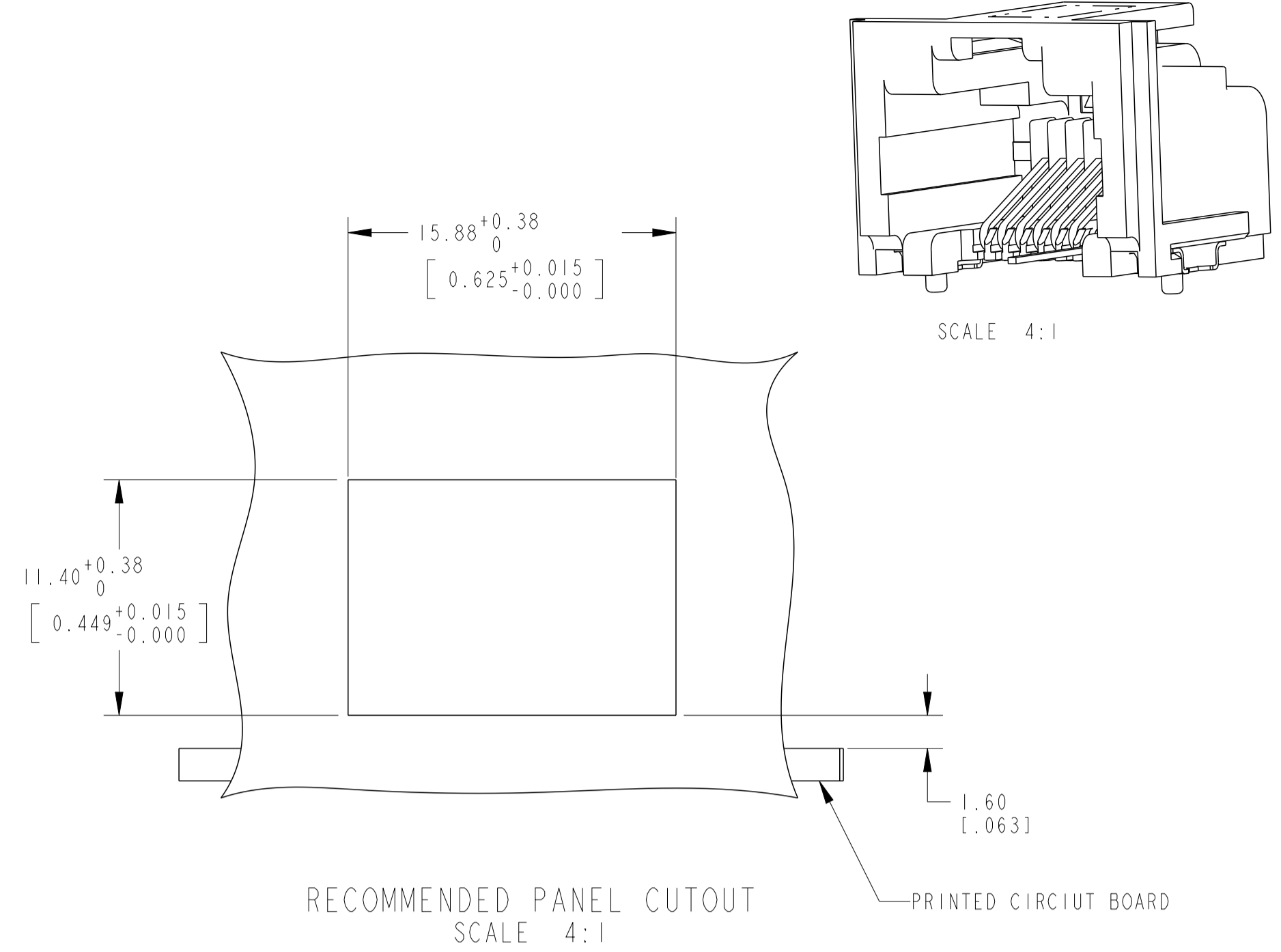
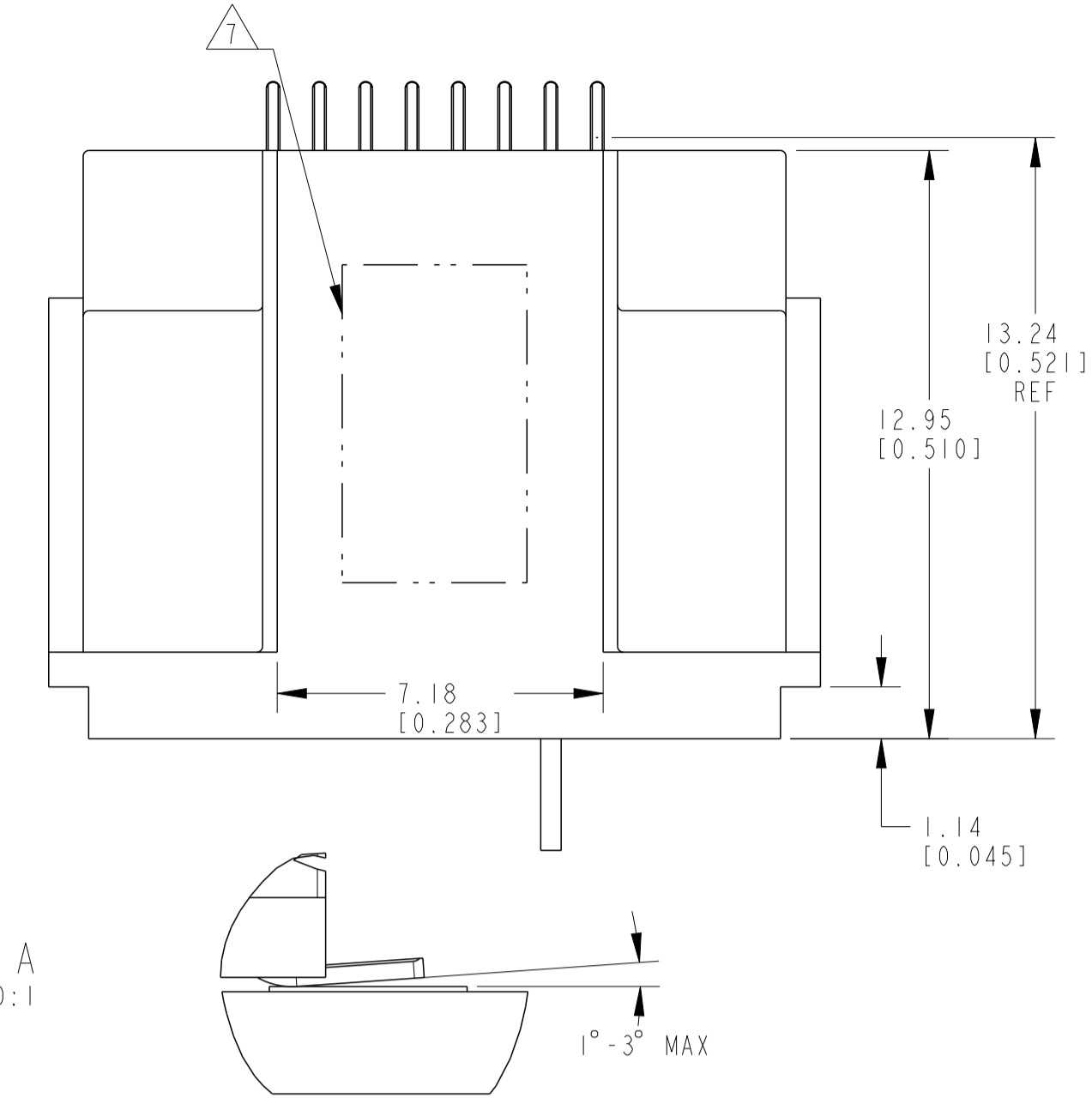


REVISONS		DATE	OWN	APPV
E5	ECO-20-004223	23MAR2020	RR	SH
E6	REVISED PER ECN-22-185176	21NOV2022	AB	SZ



1 MATERIAL: HOUSING - HIGH TEMPERATURE THERMOPLASTIC, COLOR PER PART NUMBER TABLE  
 TERMINALS - 0.3 [0.012] THICK COPPER ALLOY PLATED WITH (SEE TABLE) MINIMUM GOLD IN LOCALIZED CONTACT AREA, 2.5µm [0.000100] MINIMUM MATTE TIN ON TERMINATION END, OVER 1.27µm [0.000050] MINIMUM NICKEL OVER THE ENTIRE TERMINAL  
 BOARDLOCK - PHOS BRONZE, 1/2 HARD, 2.54µm [0.000100] MINIMUM MATTE TIN OVER 1.27µm [0.000050] MINIMUM NICKEL

2 JACK CAVITY CONFORMS TO FCC RULES AND REGULATIONS, PART 68, SUBPART F

3 DATUM ESTABLISHED BY CUSTOMER

4 PACKAGING TAPE AND REEL: (PER EIA 481 SPEC)  
 TAPE - 32mm [1.26] WIDE  
 POCKET PITCH - 24mm [0.945]  
 CORRUGATED REEL DIAMETER - 560mm [22.0]  
 PIECES/REEL - 650

5 PACKAGING TAPE AND REEL: (PER EIA 481 SPEC)  
 TAPE - 32mm [1.26] WIDE  
 POCKET PITCH - 24mm [0.945]  
 PLASTIC REEL DIAMETER - 330mm [13.01]  
 PIECES/REEL - 200

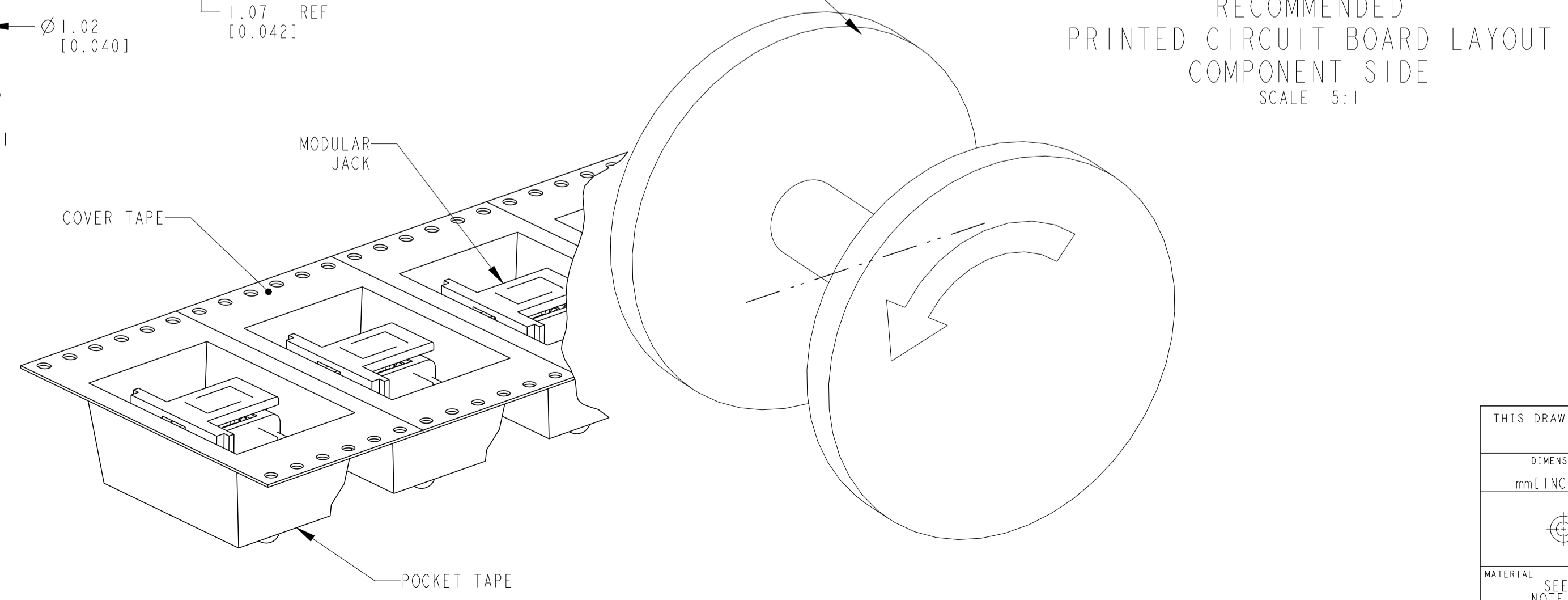
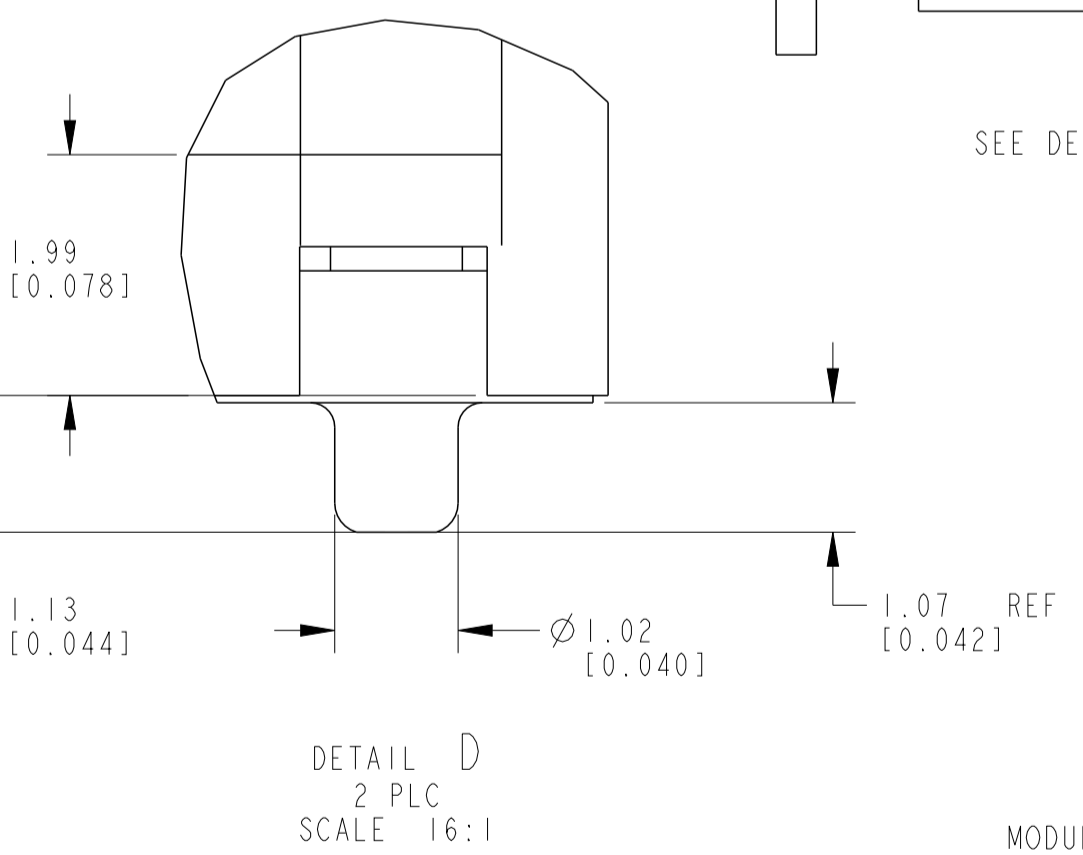
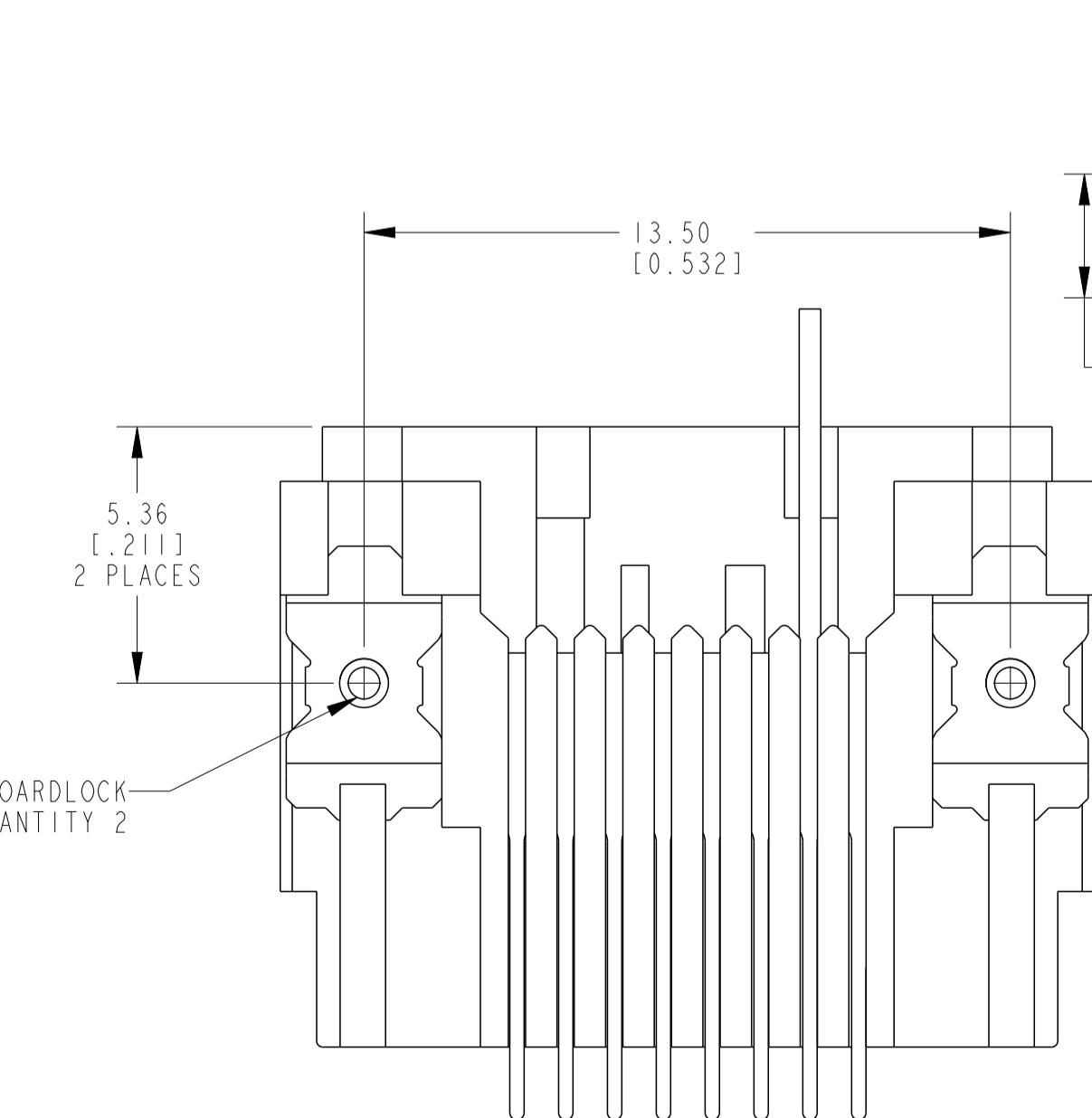
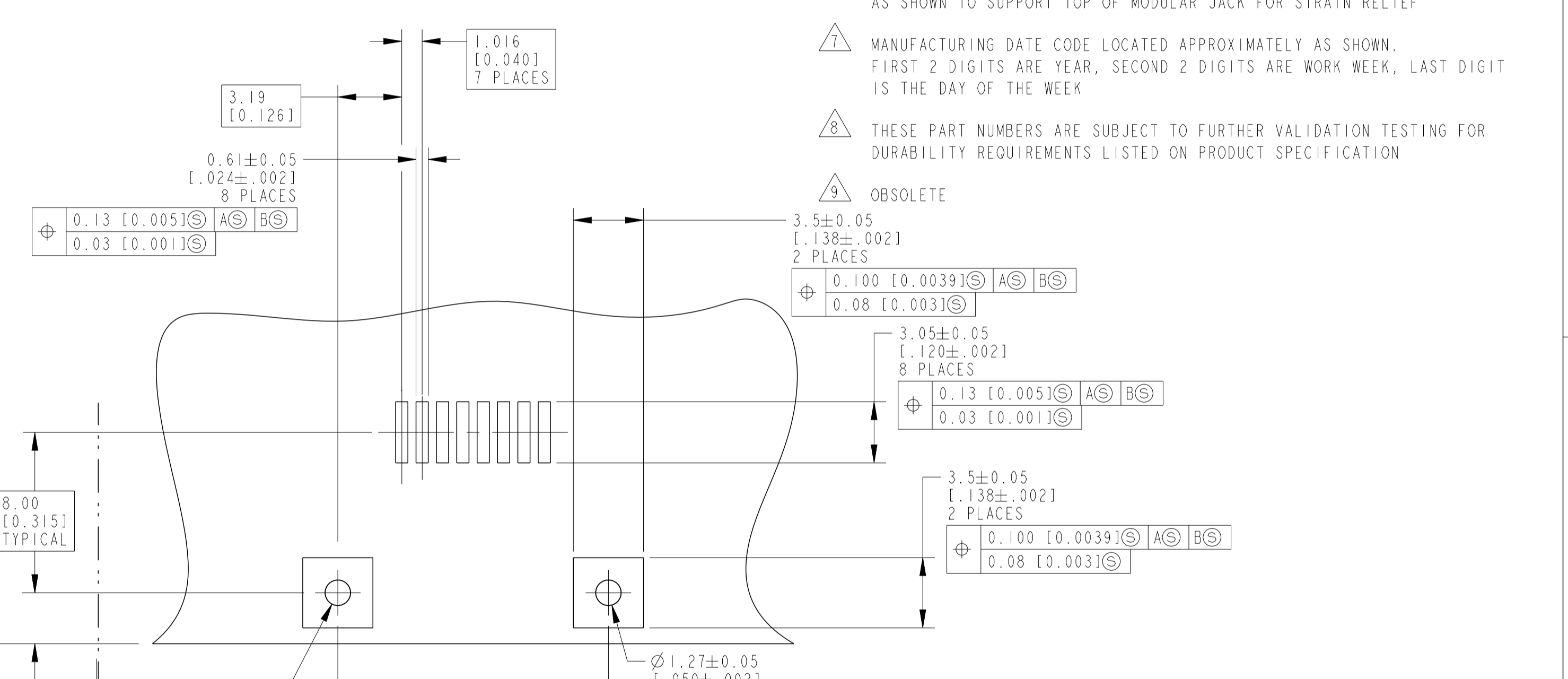
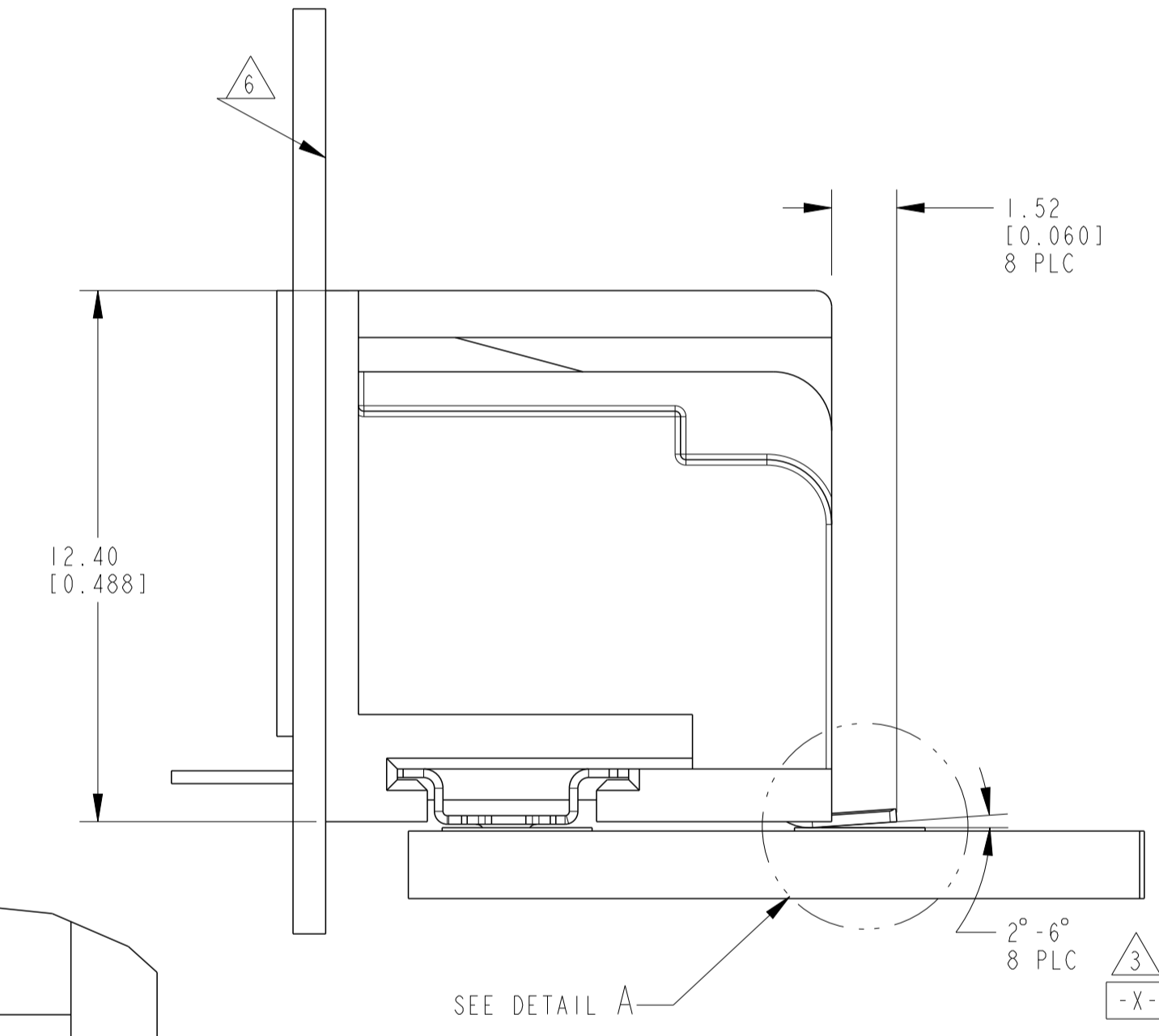
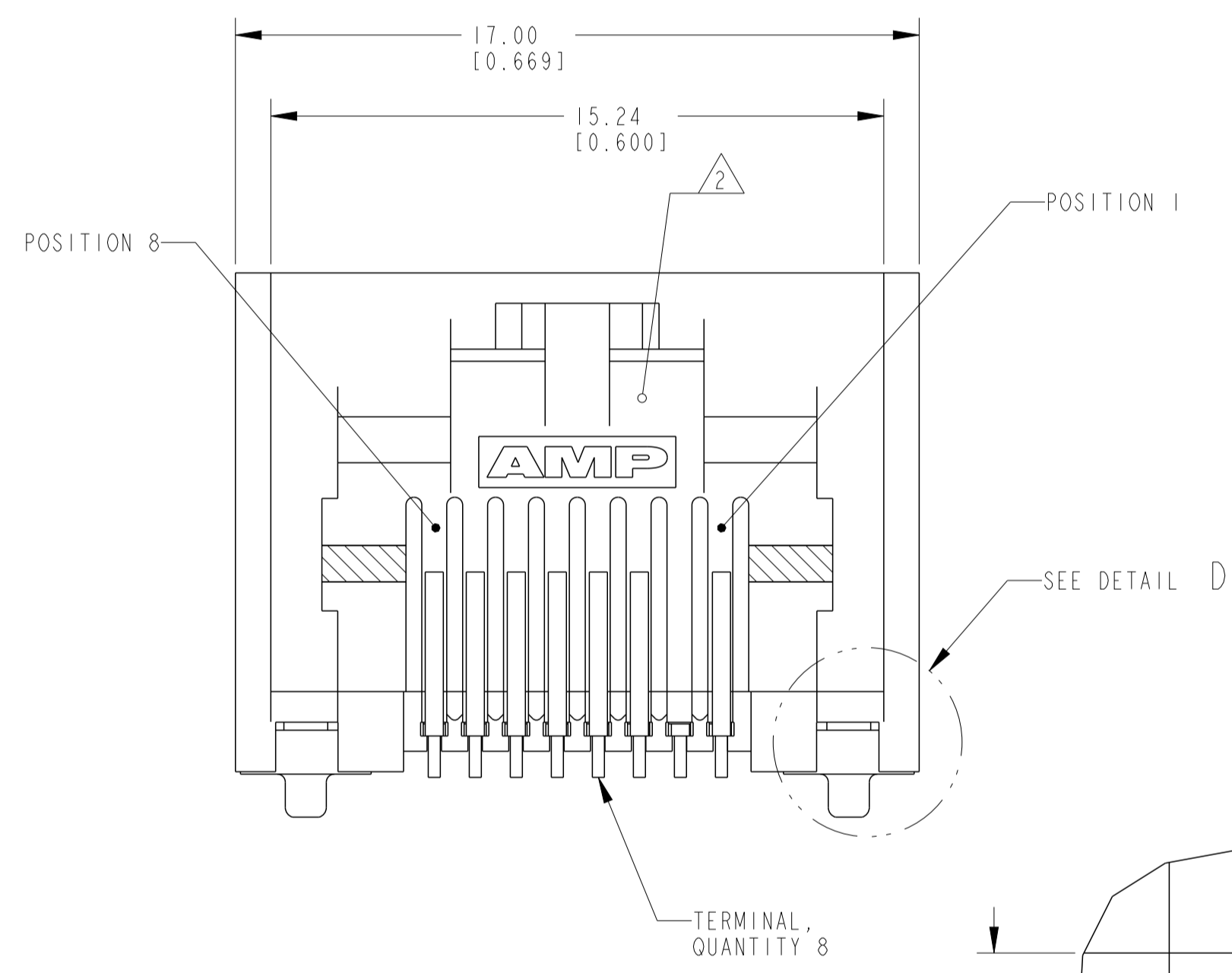
6 CONNECTOR SHOULD BE POSITIONED THROUGH PANEL CUTOUT AS SHOWN TO SUPPORT TOP OF MODULAR JACK FOR STRAIN RELIEF

7 MANUFACTURING DATE CODE LOCATED APPROXIMATELY AS SHOWN. FIRST 2 DIGITS ARE YEAR, SECOND 2 DIGITS ARE WORK WEEK, LAST DIGIT IS THE DAY OF THE WEEK

8 THESE PART NUMBERS ARE SUBJECT TO FURTHER VALIDATION TESTING FOR DURABILITY REQUIREMENTS LISTED ON PRODUCT SPECIFICATION

9 OBSOLETE

10 ONLY THIS PN 1-5406721-8 PIN ANGLE IS 1°-3° MAX



MARKING	MIN GOLD THICKNESS	HOUSING COLOR	PACKAGING	PART NUMBER
1	1.27µm [0.000050]	GRAY	5	1-5406721-8
1	1.27µm [0.000050]	GRAY	5	1-5406721-7
1	0.76µm [0.000030]	GREEN	5	1-5406721-6
	0.76µm [0.000030]	GREEN	4	1-5406721-5
	0.76µm [0.000030]	BLACK	5	1-5406721-4
	0.76µm [0.000030]	BLACK	4	1-5406721-3
	0.76µm [0.000030]	GRAY	5	1-5406721-2
	0.76µm [0.000030]	GRAY	4	1-5406721-1
1	1.27µm [0.000050]	GRAY	5	5406721-7
	1.27µm [0.000050]	GREEN	5	5406721-6
	1.27µm [0.000050]	GREEN	4	5406721-5
	1.27µm [0.000050]	BLACK	5	5406721-4
	1.27µm [0.000050]	BLACK	4	5406721-3
	1.27µm [0.000050]	GRAY	5	5406721-2
1.27µm [0.000050]	GRAY	4	5406721-1	

THIS DRAWING IS A CONTROLLED DOCUMENT. DIMENSIONS: mm [INCHES]. TOLERANCES UNLESS OTHERWISE SPECIFIED: 0 PLC ±, 1 PLC ±, 2 PLC ±, 3 PLC ±, 4 PLC ±, ANGLES ±. MATERIAL: SEE NOTE 1. FINISH: SEE NOTE 1. WEIGHT: 1.46 gram. RESTRICTED CUSTOMER. DWN: J. AHERON, 27 JULY 2005. CHK: J. A. MATYER, 27 JULY 2005. J. WESTMAN. S. FLICKINGER. NAME: MODULAR JACK ASSEMBLY, SINGLE PORT, 8/8 RIGHT ANGLE, SURFACE MOUNT, WITH PANEL STOPS, INWARD BOARDLOCK. PRODUCT SPEC: 108-1689. APPLICATION SPEC: 114-6040. SIZE: 114-6040. CAGE CODE: 00779. DRAWING NO: 5406721. SHEET 1 OF 1. REV: E6. SCALE: 7:1.