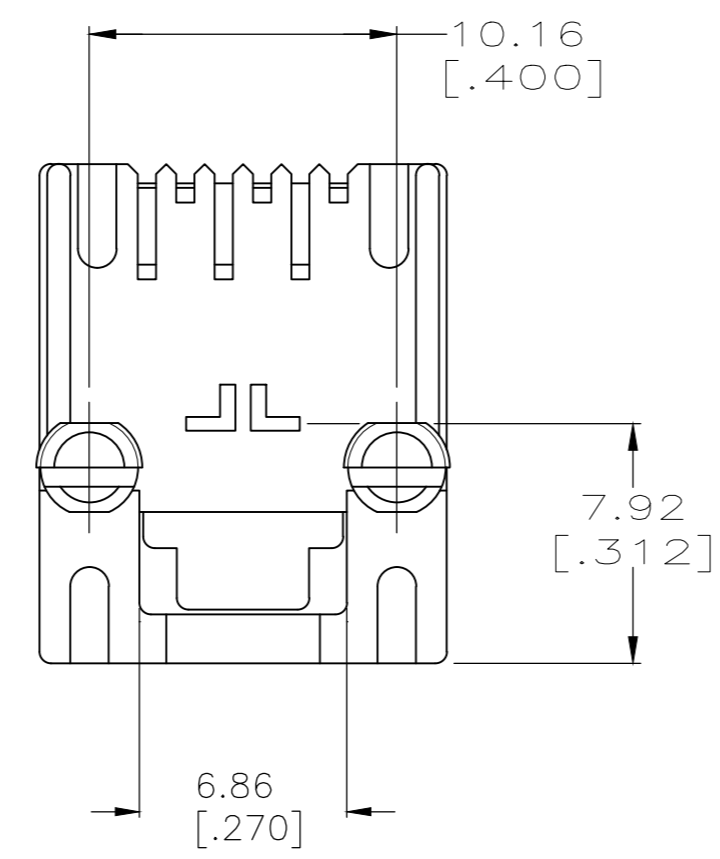
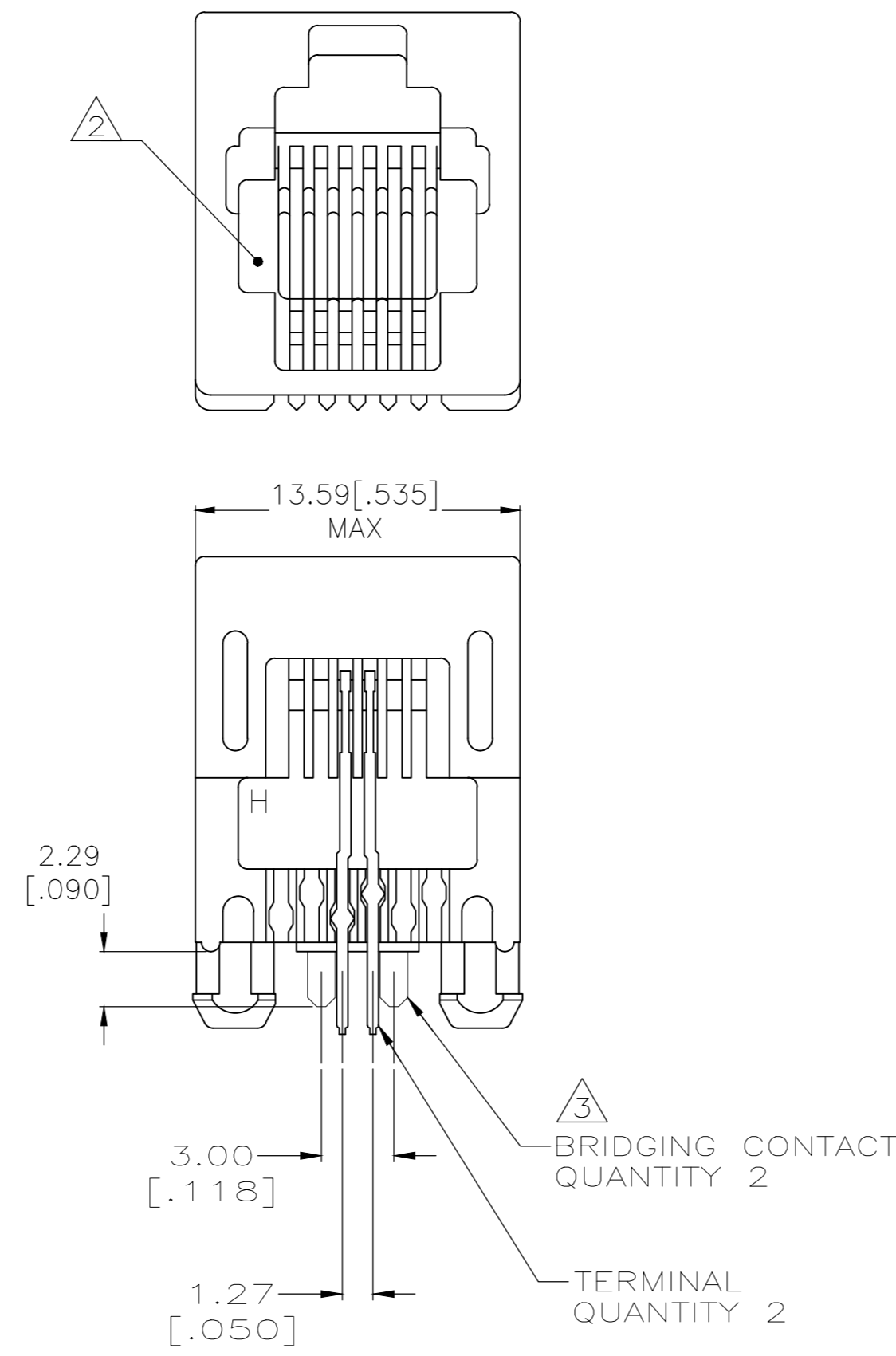
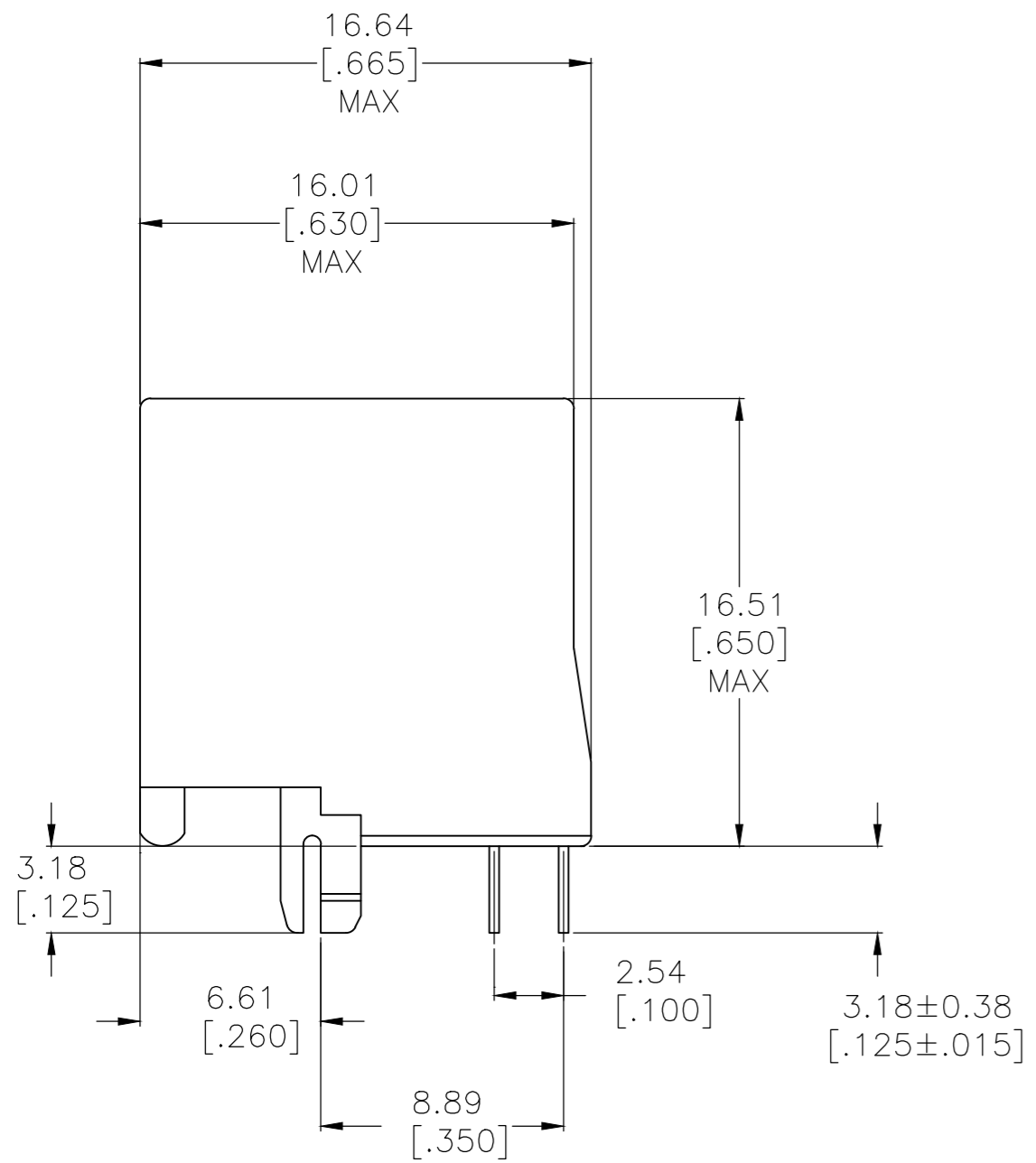


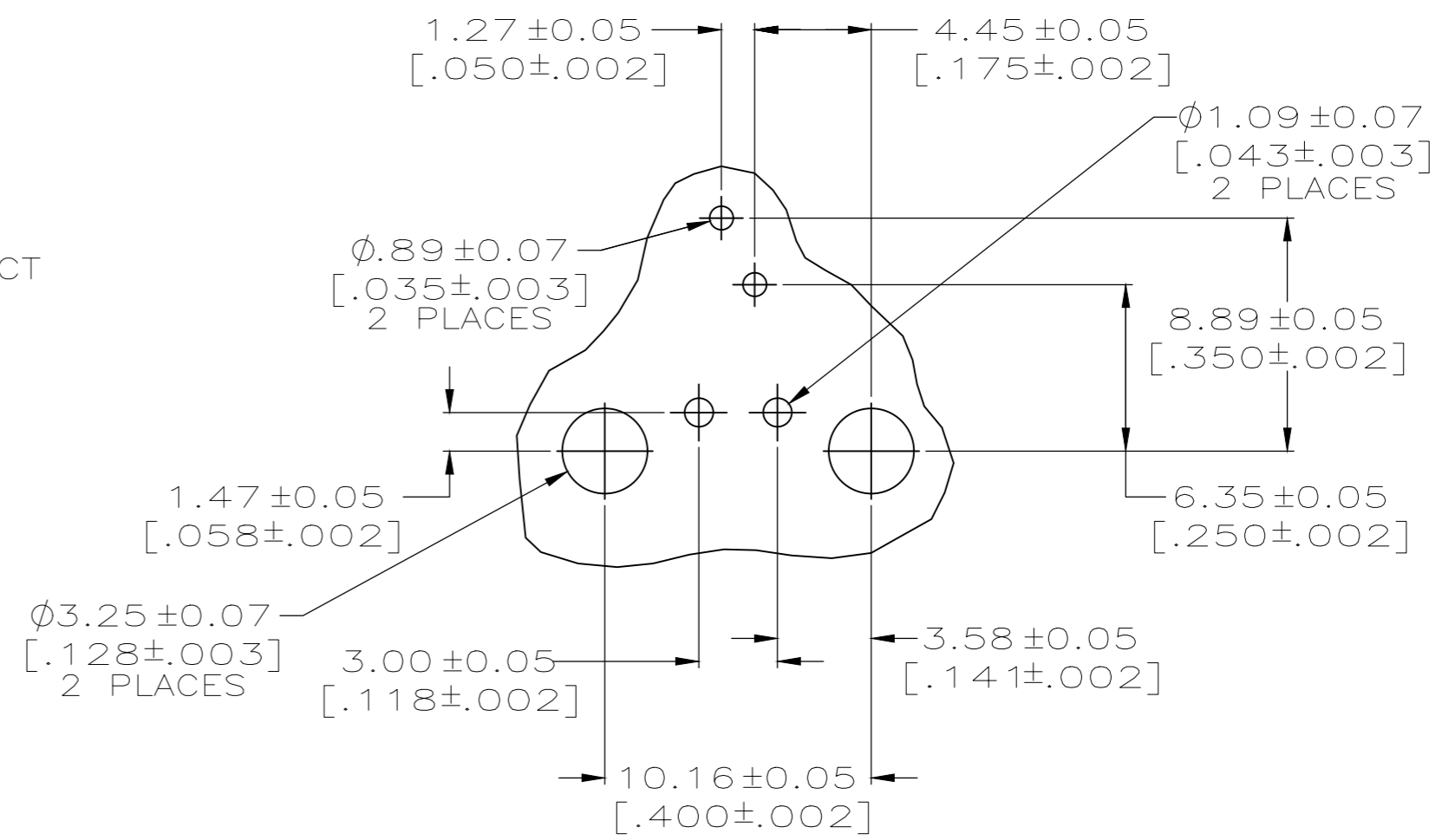
THIS DRAWING IS UNPUBLISHED. RELEASED FOR PUBLICATION
 © COPYRIGHT - TE Connectivity Ltd. ALL RIGHTS RESERVED.

REVISIONS				
P	LTR	DESCRIPTION	DATE	APVD
H		ECO-19-011579	26JUL2019	RR SH



- MATERIAL: HOUSING - NYLON 94 VO, COLOR: BLACK
 TERMINAL - PHOS BRONZE PLATED WITH 1.27µm[.000050] THICK HARD GOLD IN LOCALIZED GOLD PLATE AREA AND 2.03µm[.000080] THICK MATTE TIN IN SOLDER AREA OVER 1.27µm[.000050] THICK NICKEL UNDERPLATE.
 BRIDGING CONTACT - BRASS PLATED WITH 1.27µm[.000050] THICK HARD GOLD IN LOCALIZED GOLD PLATE AREA AND 3.81µm[.000150] THICK MATTE TIN IN SOLDER AREA OVER 1.27µm[.000050] THICK NICKEL UNDERPLATE.

- CAVITY CONFORMS TO FCC RULES AND REGULATIONS PART 68 AND REA BULLETIN 345-.81 PE-76 SPECIFICATION FOR MODULAR TELEPHONE HARDWARE.
- BRIDGING CONTACTS COMPLETE CIRCUIT WHEN PLUG IS REMOVED.
- BULK PACKAGED IN A TRAY.
- CONTACTS COATED WITH BELLCORE APPROVED LUBRICANT, TECHNICAL REFERENCE GR-1217-CORE, ISSUE 1, NOVEMBER 1995.



SUGGESTED PC BOARD LAYOUT
 VIEWED FROM TOP (COMPONENT SIDE)

OBSOLETE	5	1-5406010-2
OBSOLETE	-	5406010-2
REMARKS	PART NUMBER	

THIS DRAWING IS A CONTROLLED DOCUMENT.		DWN L.A.MAYER 16AUG2007		
		CHK P.RECCE 16AUG2007		
DIMENSIONS: mm [INCHES]		APVD S.FLICKINGER 16AUG2007	NAME	
TOLERANCES UNLESS OTHERWISE SPECIFIED:		PRODUCT SPEC 108-1721	MODULAR JACK ASSEMBLY, FEED-THRU JACK, 6/2, TOP ENTRY, RJ-11T	
0 PLC ± -		APPLICATION SPEC 114-2048	SIZE A2	CAGE CODE 00779
1 PLC ± -		WEIGHT 0.000000	DRAWING NO C=5406010	RESTRICTED TO -
2 PLC ± 0.13[.005]		CUSTOMER DRAWING	SCALE 4:1	SHEET 1 OF 1
3 PLC ± -			REV H	
4 PLC ± -				
ANGLES ± -				
FINISH SEE NOTE 1				