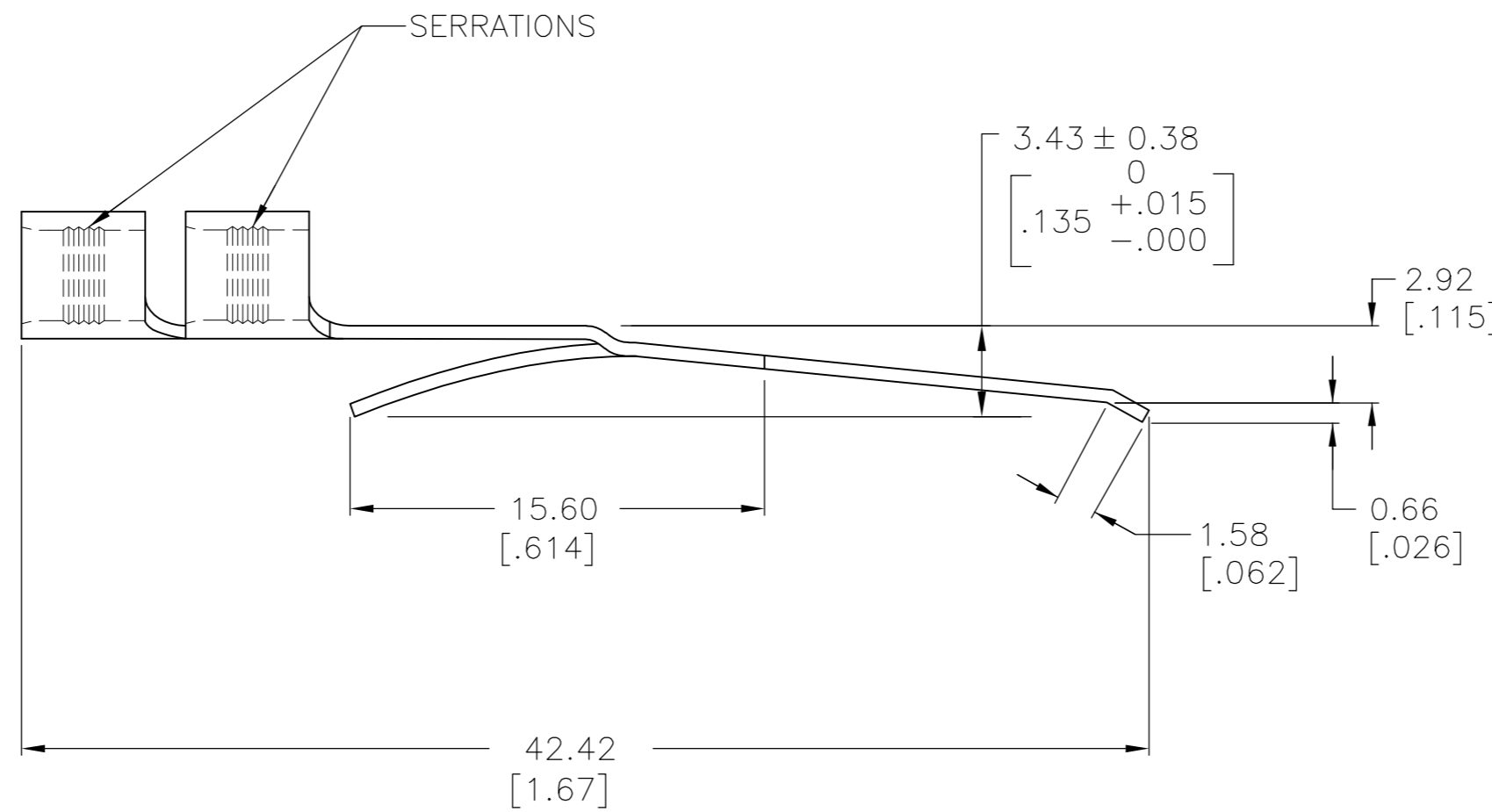
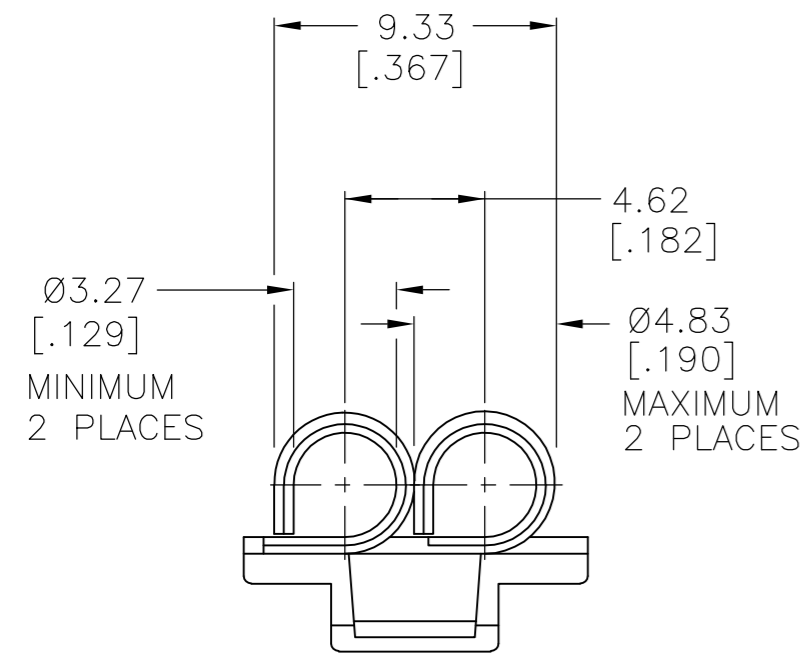
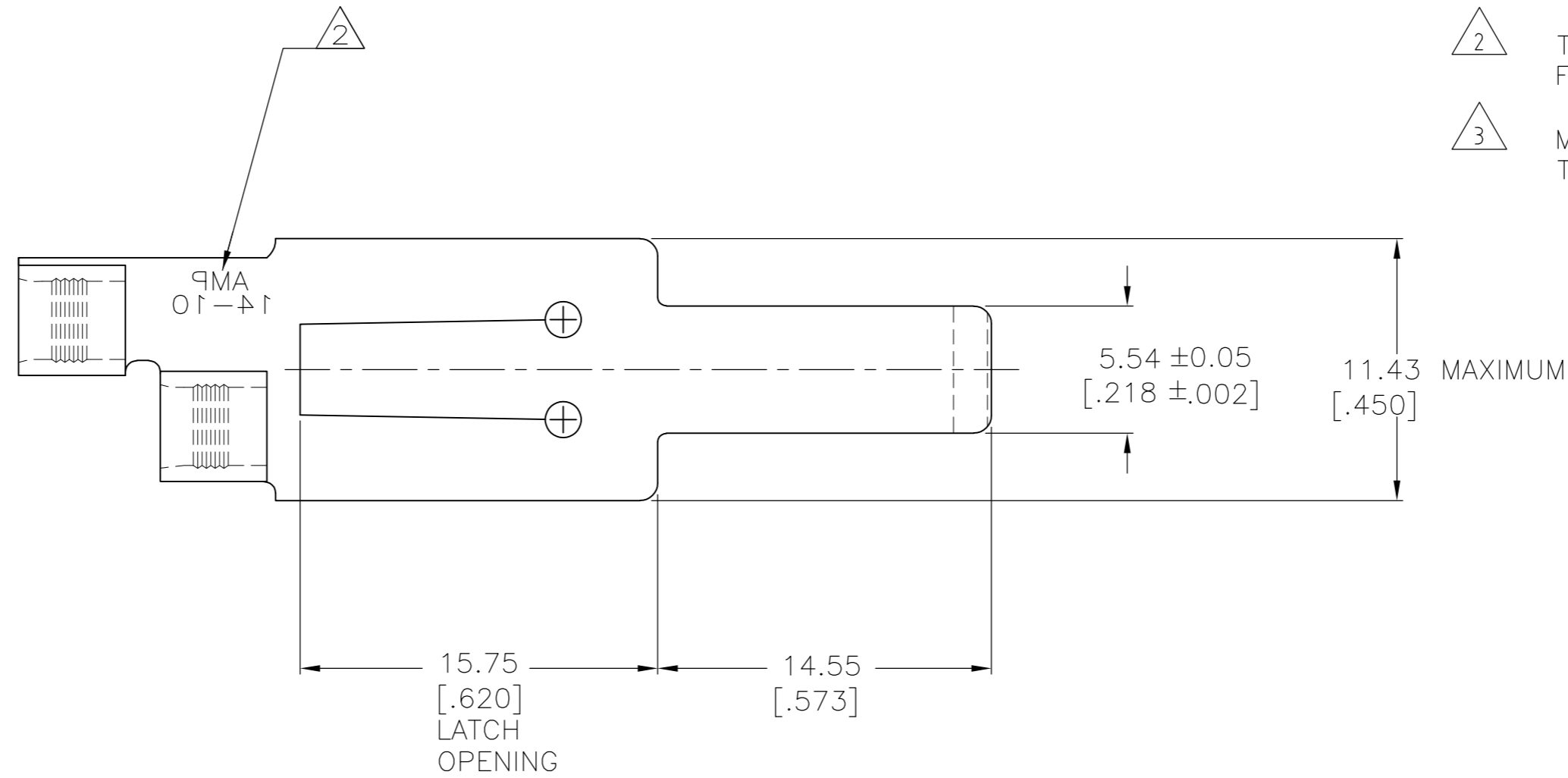


THIS DRAWING IS UNPUBLISHED. RELEASED FOR PUBLICATION  
 © COPYRIGHT - By - ALL RIGHTS RESERVED.

REVISIONS				
P	LTR	DESCRIPTION	DATE	APVD
E		REVISED PER ECO-16-005423	10AUG2016	NK DR

- 1 DIMENSIONS ARE NOMINAL UNLESS OTHERWISE SPECIFIED.
- 2 TEXT LOCATED APPROXIMATELY AS SHOWN ON FAR SIDE OF PART.
- 3 MATERIAL: PHOSPHOR BRONZE 0.635[.025] THICK, SILVER PLATED.



53889

A

53889-1  
PART NO.

THIS DRAWING IS A CONTROLLED DOCUMENT.		DWN L. McEACHIN/UTA 25MAR96			
		CHK N. JONES 26MAR96			
DIMENSIONS: mm [INCHES]		TOLERANCES UNLESS OTHERWISE SPECIFIED: 0 PLC ± 1 1 PLC ± 1 2 PLC ± 0.51[.02] 3 PLC ± 0.127[.005] 4 PLC ± - ANGLES ± - FINISH 3		NAME P. RIEDL 5MAR96 PRODUCT SPEC APPLICATION SPEC WEIGHT - CUSTOMER DRAWING	
MATERIAL 3		FINISH 3		SIZE A2 CAGE CODE 00779 DRAWING NO. C=53889 SCALE 4:1 SHEET 1 OF 1 REV E	