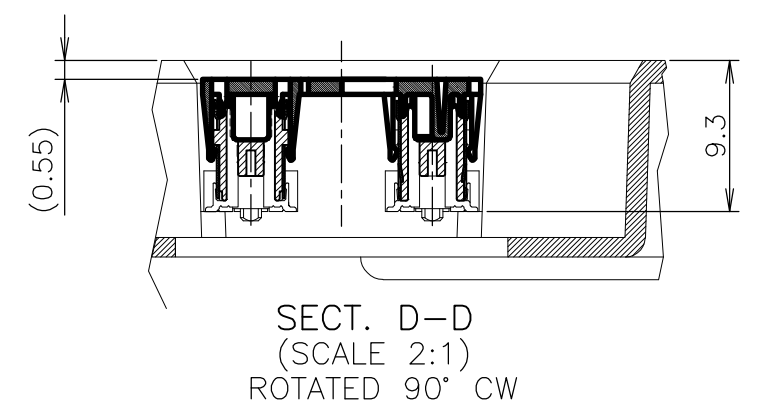
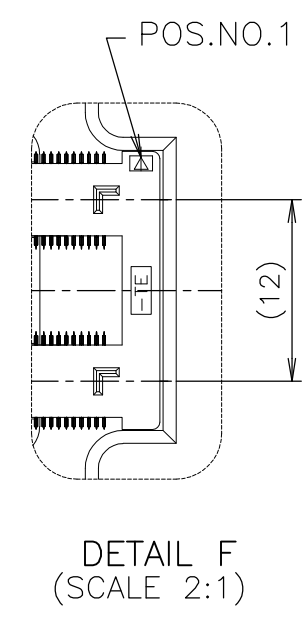
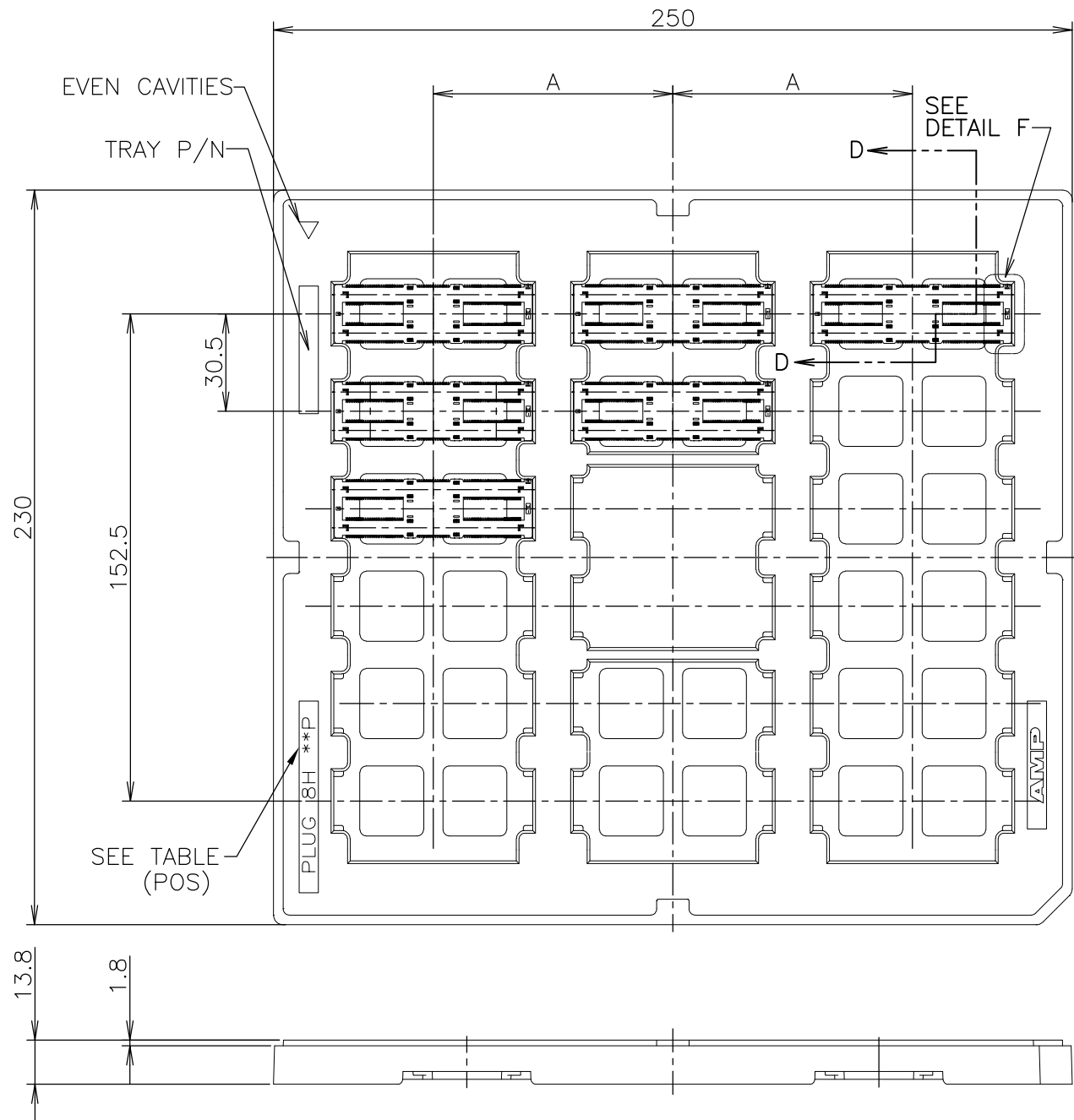


THIS DRAWING IS UNPUBLISHED. RELEASED FOR PUBLICATION
 © COPYRIGHT - By - ALL RIGHTS RESERVED.

REVISIONS					
P	LTR	DESCRIPTION	DATE	DWN	APVD
	C2	REVISED PER ECO-11-005033	25MAR11	RK	HMR
	C3	REVISED PER ECO-16-010697	20JUL2016	BJ	SY

3-5353652-6:AS SHOWN



NO	3	18	75	440	3-5353652-6
SEALANT	ROW	QTY	A	POS.	PART NO.

THIS DRAWING IS A CONTROLLED DOCUMENT.		DWN	S.CH IEN	18MAY05	STE TE Connectivity
DIMENSIONS: MM		CHK	T.FUTATSUGI	18MAY05	
TOLERANCES UNLESS OTHERWISE SPECIFIED:		APVD	H.KODAMA	18MAY05	
0 PLC ± 0.3 1 PLC ± 0.3 2 PLC ± 0.3 3 PLC ± 0.3 4 PLC ± 0.3 ANGLES ± 3°		NAME		HARD TRAY ASSY	
MATERIAL		PRODUCT SPEC		FH 0.5BTB CONNECTOR	
		APPLICATION SPEC		PLUG 8H W/G-PLATE ON 2ROW CAP	
		WEIGHT		SIZE	CAGE CODE
		FINISH		A3	00779
		CUSTOMER DRAWING		DRAWING NO	C-5353652
				RESTRICTED TO	
				SCALE	1:2
				SHEET	1 OF 8
				REV	C3

THIS DRAWING IS UNPUBLISHED.

RELEASED FOR PUBLICATION

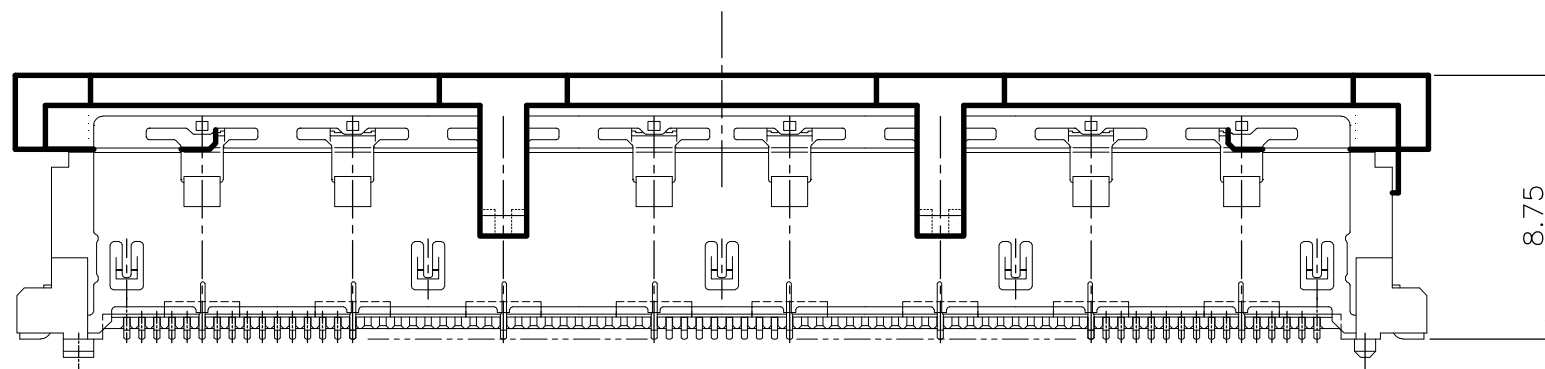
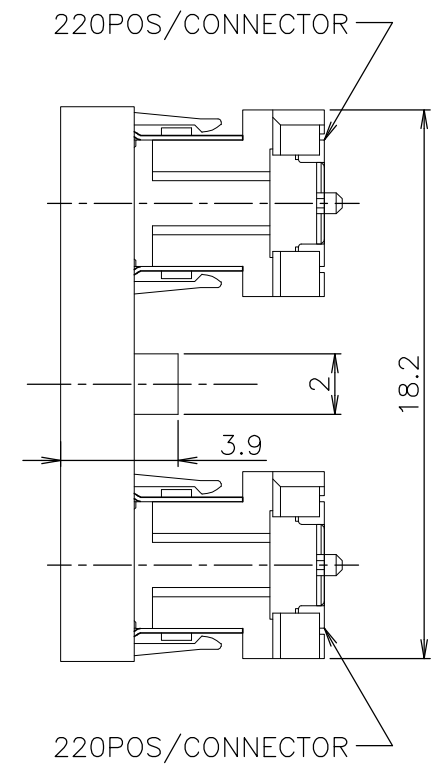
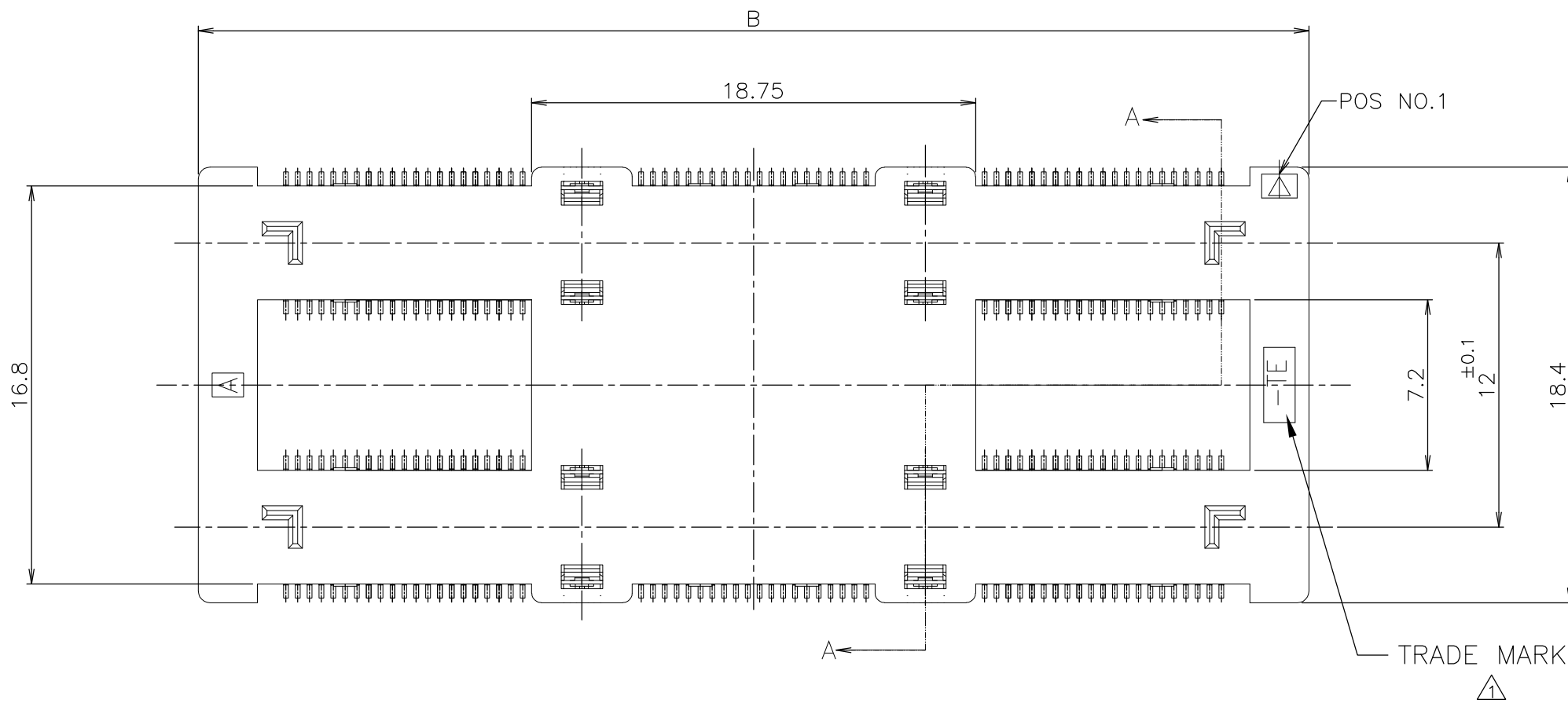
REVISIONS

© COPYRIGHT By -

ALL RIGHTS RESERVED.

P	LTR	DESCRIPTION	DATE	DWN	APVD
-	-	SEE SHEET 1	-	-	-

CAP SETTING CONDITION OF 3-5353652-6



BLACK	61.9	440	3-5353652-6
CAP COLOR	B	POS	PART NO.

NOTE

- 1 SINK SURFACE 0.1, RISING CHARACTER 0.08
- '-TE' MANUFACTURED BY TE JP
- '-TE-' MANUFACTURED BY TE QD

THIS DRAWING IS A CONTROLLED DOCUMENT.

DIMENSIONS: MM	TOLERANCES UNLESS OTHERWISE SPECIFIED:
	0 PLC ± 0.3
	1 PLC ± 0.3
	2 PLC ± 0.3
	3 PLC ± 0.3
	4 PLC ± 0.3
	ANGLES ± 3'
MATERIAL	FINISH

DWN	-
CHK	-
APVD	-
PRODUCT SPEC	-
APPLICATION SPEC	-
WEIGHT	-
CUSTOMER DRAWING	-

STE TE Connectivity

NAME: HARD TRAY ASSY
FH 0.5BTB CONNECTOR
PLUG 8H W/G-PLATE ON 2ROW CAP

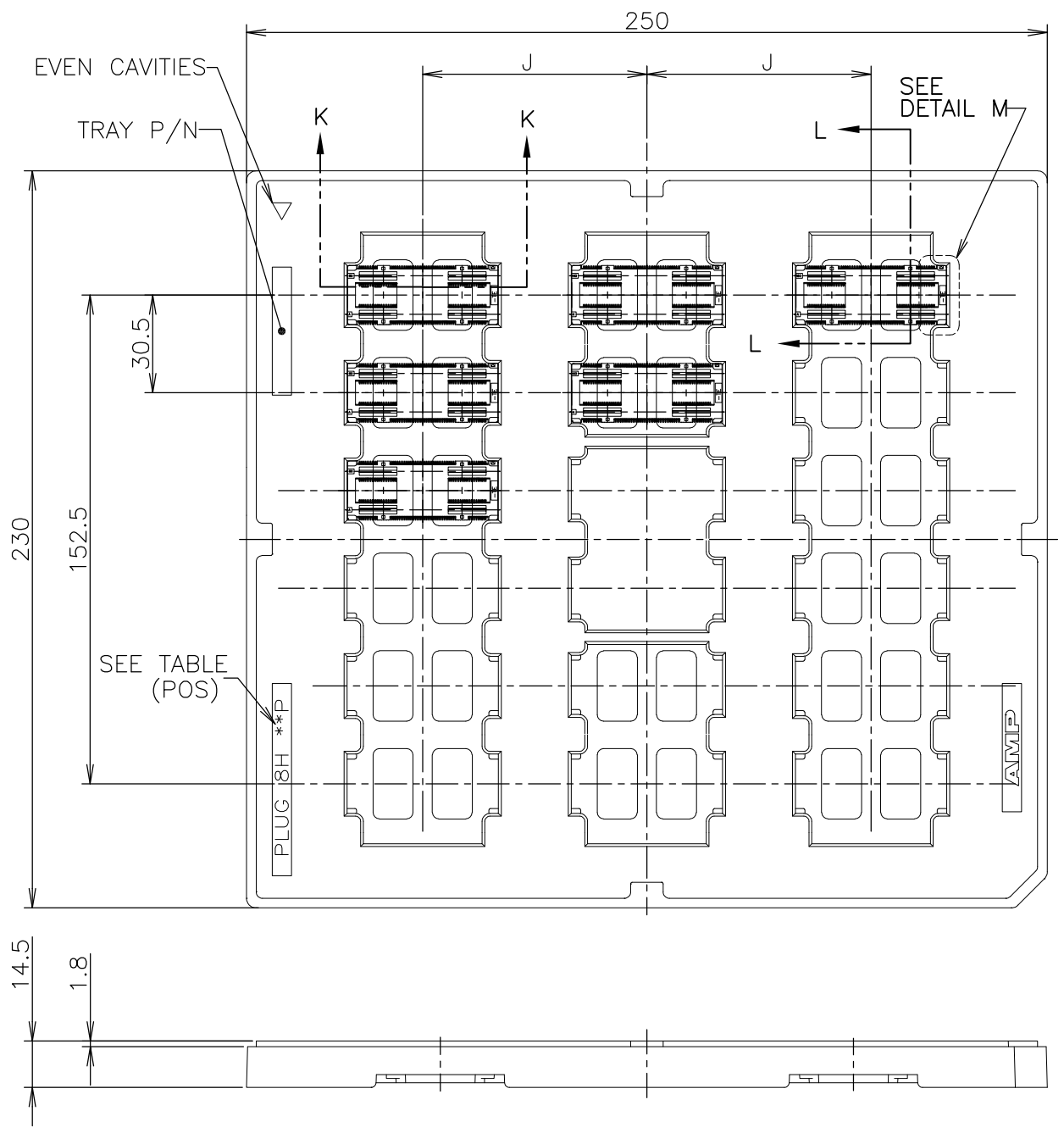
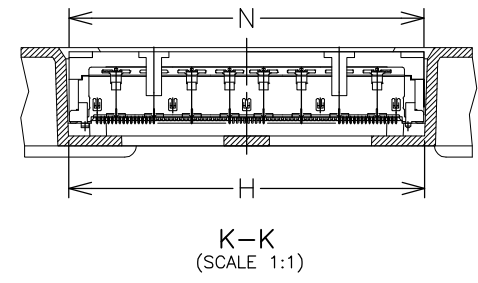
SIZE	CAGE CODE	DRAWING NO	RESTRICTED TO
A3	00779	3-5353652	-

SCALE: 4:1 SHEET: 2 of 8 REV: C3

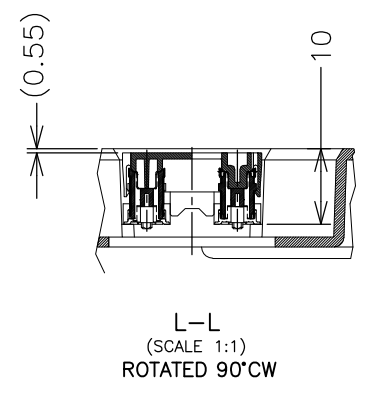
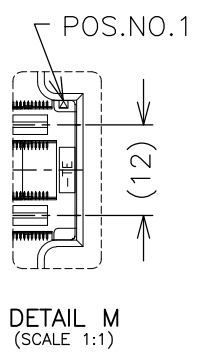
THIS DRAWING IS UNPUBLISHED. RELEASED FOR PUBLICATION
 © COPYRIGHT By - ALL RIGHTS RESERVED.

P	LTR	DESCRIPTION	DATE	DWN	APVD
-	-	SEE SHEET 1	-	-	-

6-5353652-2:AS SHOWN
 1-5353652-2:AS SHOWN



SEALANT	TOOLING	ROW	QTY	J	H	N	POS.	TRAY P/N	ON CAP CONN P/N	PART NO.	
NOT AVAILABLE	3	18	↑	66.8	66.9	480	.	6-5353620-7	6-5353652-7		
↑	↑	↑	↑	61.8	61.9	440	.	6-↑-6	6-↑-6		
↓	↓	↓	↓	75	56.8	56.9	400	.	6-↓-5	6-↓-5	
↓	↓	↓	↓	70	51.8	51.9	360	.	6-↓-4	6-↓-4	
NOT AVAILABLE	3	18	↑	49.3	49.4	340	.	6-5353620-3	6-5353652-3		
AVAILABLE	5	30	↑	46.8	46.9	320	7-912066-6	6-5353620-2	6-5353652-2		
NOT AVAILABLE	5	30	↓	44.3	44.4	300	.	6-5353620-1	6-5353652-1		
↑	↑	↑	↑	41.8	41.9	280	.	6-↑-0	6-↑-0		
↓	↓	↓	↓	3	36.8	36.9	240	.	5-↓-9	5-↓-9	
↓	↓	↓	↓	5	31.8	31.9	200	.	5-↓-8	5-↓-8	
↓	↓	↓	↓	↑	29.3	29.4	180	.	5-↑-7	5-↑-7	
↓	↓	↓	↓	↑	26.8	26.9	160	.	5-↑-6	5-↑-6	
↓	↓	↓	↓	↑	24.3	24.4	140	.	5-↑-5	5-↑-5	
↓	↓	↓	↓	↑	21.8	21.9	120	.	5-↑-4	5-↑-4	
↓	↓	↓	↓	↑	19.3	19.4	100	.	5-↑-3	5-↑-3	
↓	↓	↓	↓	↑	16.8	16.9	80	.	5-↑-2	5-↑-2	
NOT AVAILABLE	5	30	↓	14.3	14.4	60	.	5-5353620-1	5-5353652-1		
NOT AVAILABLE	3	18	↑	66.8	66.9	480	.	1-5353620-7	1-5353652-7		
↑	↑	↑	↑	61.8	61.9	440	.	1-↑-6	1-↑-6		
↓	↓	↓	↓	75	56.8	56.9	400	.	1-↓-5	1-↓-5	
↓	↓	↓	↓	70	51.8	51.9	360	.	1-↓-4	1-↓-4	
NOT AVAILABLE	3	18	↑	49.3	49.4	340	.	1-5353620-3	1-5353652-3		
AVAILABLE	5	30	↑	46.8	46.9	320	7-912066-6	1-5353620-2	1-5353652-2		
NOT AVAILABLE	5	30	↓	44.3	44.4	300	.	1-5353620-1	1-5353652-1		
↑	↑	↑	↑	41.8	41.9	280	.	1-↑-0	1-↑-0		
↓	↓	↓	↓	3	36.8	36.9	240	.	1-↓-9	1-↓-9	
↓	↓	↓	↓	5	31.8	31.9	200	.	1-↓-8	1-↓-8	
↓	↓	↓	↓	↑	29.3	29.4	180	.	1-↑-7	1-↑-7	
↓	↓	↓	↓	↑	26.8	26.9	160	.	1-↑-6	1-↑-6	
↓	↓	↓	↓	↑	24.3	24.4	140	.	1-↑-5	1-↑-5	
↓	↓	↓	↓	↑	21.8	21.9	120	.	1-↑-4	1-↑-4	
↓	↓	↓	↓	↑	19.3	19.4	100	.	1-↑-3	1-↑-3	
↓	↓	↓	↓	↑	16.8	16.9	80	.	1-↑-2	1-↑-2	
NOT AVAILABLE	5	30	↓	14.3	14.4	60	.	5353620-1	5353652-1		



THIS DRAWING IS A CONTROLLED DOCUMENT.

DWN: _____
 CHK: _____
 APVD: _____

DIMENSIONS: MM

TOLERANCES UNLESS OTHERWISE SPECIFIED:
 0 PLC ± 0.3
 1 PLC ± 0.3
 2 PLC ± 0.3
 3 PLC ± 0.3
 4 PLC ± 0.3
 ANGLES ± 3°

MATERIAL: _____

FINISH: _____

PRODUCT SPEC: _____
 APPLICATION SPEC: _____
 WEIGHT: _____

STE TE Connectivity

NAME: _____
 HARD TRAY ASSY
 FH 0.5BTB CONNECTOR
 PLUG 8H W/G-PLATE ON 2ROW CAP

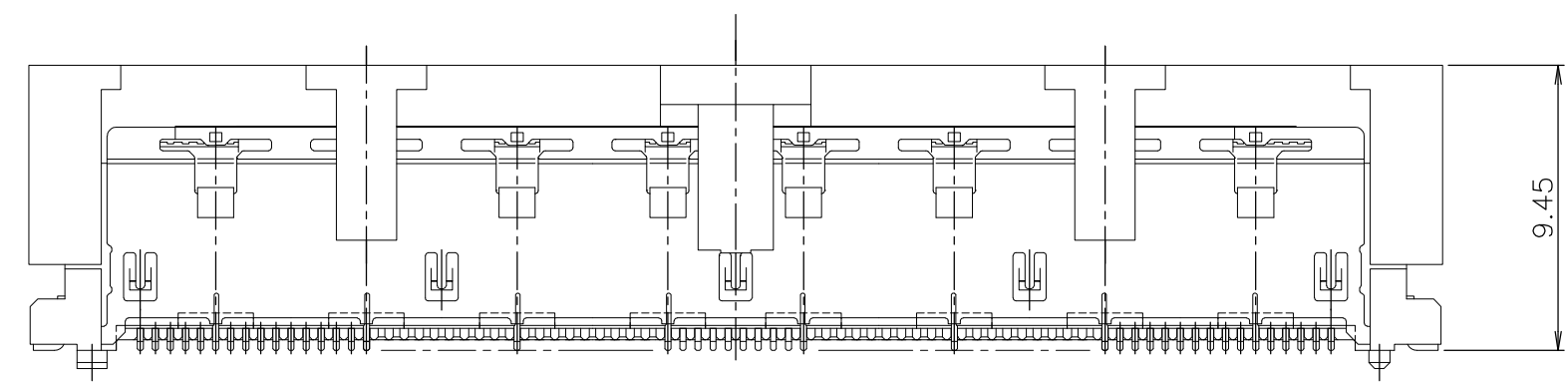
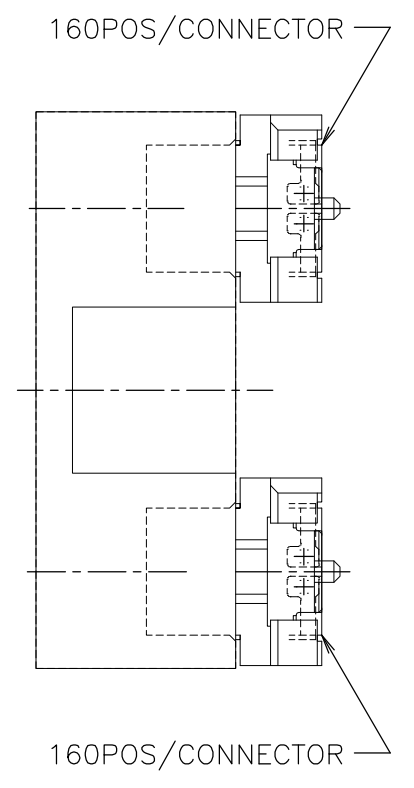
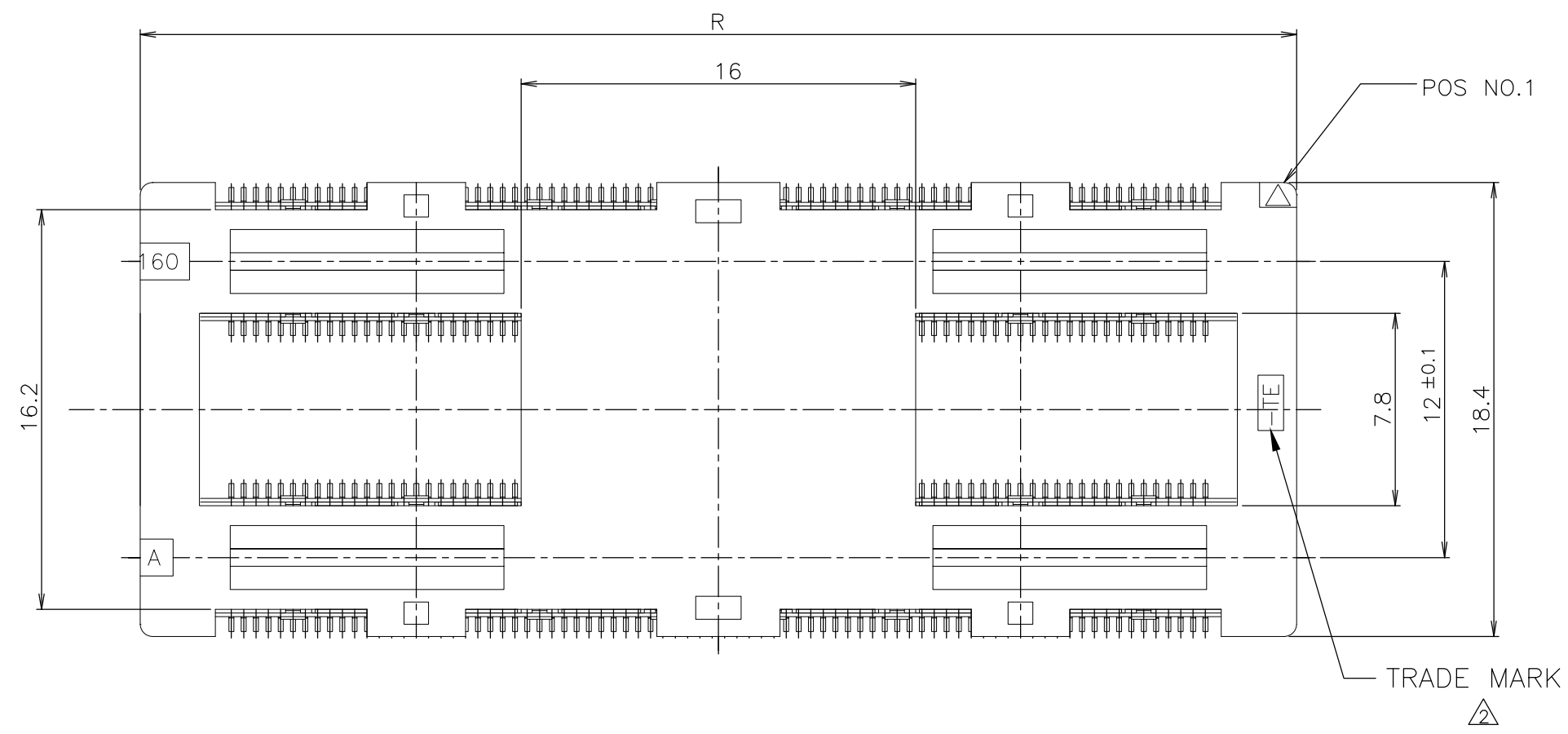
SIZE: A3 CAGE CODE: 00779 DRAWING NO: C-5353652 RESTRICTED TO: _____

CUSTOMER DRAWING SCALE: 1:2 SHEET: 3 OF 8 REV: C3

THIS DRAWING IS UNPUBLISHED. RELEASED FOR PUBLICATION
 © COPYRIGHT By - ALL RIGHTS RESERVED.

REVISIONS					
P	LTR	DESCRIPTION	DATE	DWN	APVD
-	-	SEE SHEET 1	-	-	-

CAP SETTING CONDITION OF 1-5353652-2 & 6-5353652-2



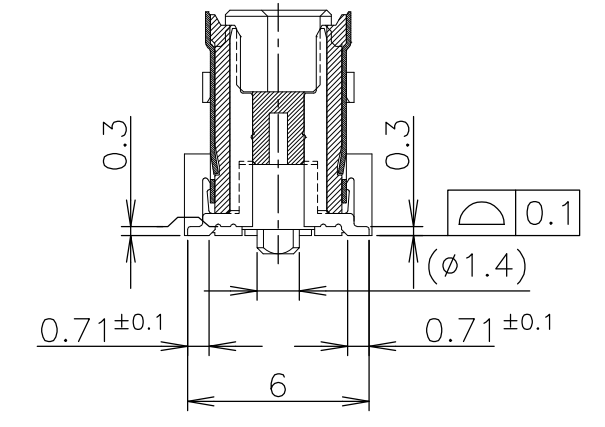
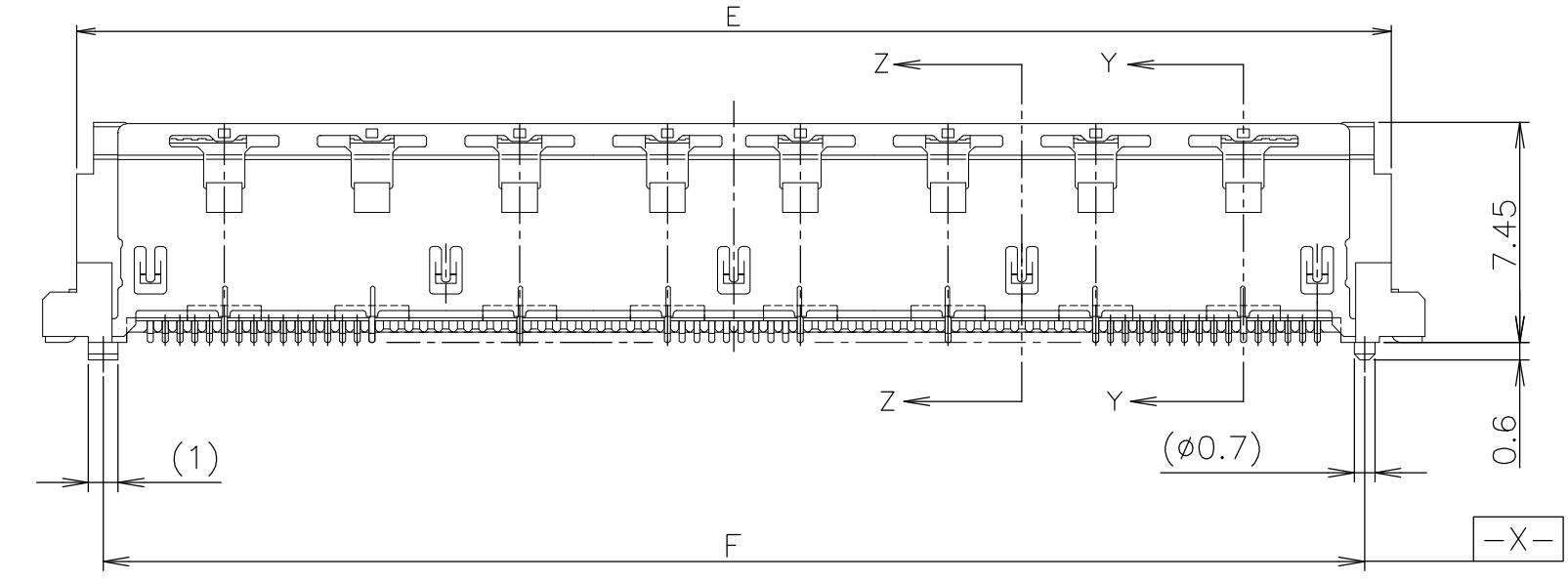
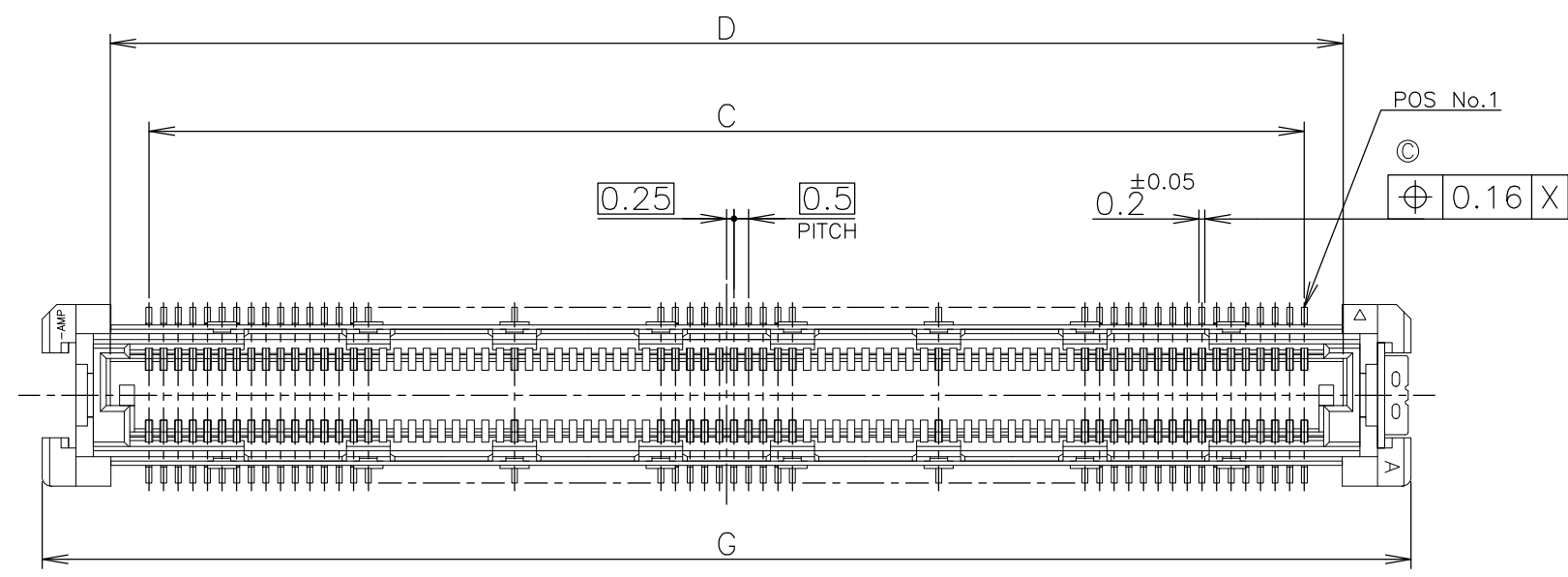
YES	NATURAL	46.9	320	6-5353652-2
NO	NATURAL	46.9	320	1-5353652-2
SEALANT	CAP COLOR	R	POS	PART NO.

NOTE
 △ SINK SURFACE 0.1, RISING CHARACTER 0.08
 '-TE' MANUFACTURED BY TE JP
 '-TE-' MANUFACTURED BY TE QD

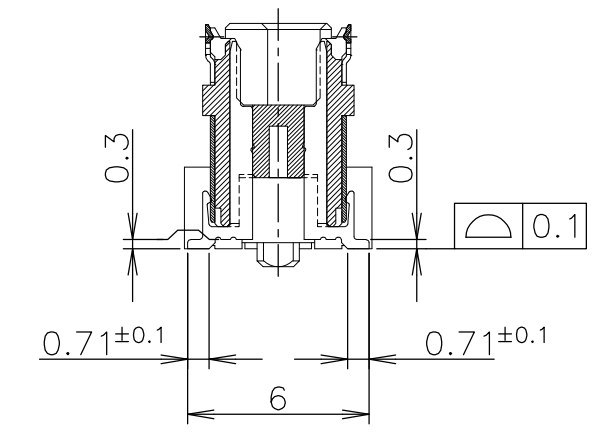
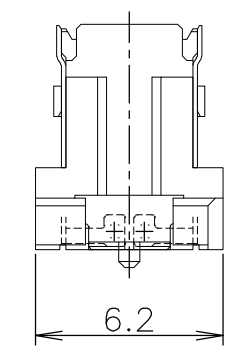
THIS DRAWING IS A CONTROLLED DOCUMENT.		DWN	TE Connectivity HARD TRAY ASSY FH 0.5BTB CONNECTOR PLUG 8H W/G-PLATE ON 2ROW CAP			
DIMENSIONS: MM		CHK				NAME
TOLERANCES UNLESS OTHERWISE SPECIFIED:		APVD				PRODUCT SPEC
0 PLC ± 0.3 1 PLC ± 0.3 2 PLC ± 0.3 3 PLC ± 0.3 4 PLC ANGLES ± 3' FINISH		APVD				APPLICATION SPEC
MATERIAL		WEIGHT	SIZE	CAGE CODE	DRAWING NO	RESTRICTED TO
			A3	00779	C-5353652	
CUSTOMER DRAWING			SCALE	SHEET	REV	
			4:1	4 OF 8	C3	

THIS DRAWING IS UNPUBLISHED. RELEASED FOR PUBLICATION
 © COPYRIGHT By - ALL RIGHTS RESERVED.

REVISIONS					
P	LTR	DESCRIPTION	DATE	DWN	APVD
-	-	SEE SHEET 1	-	-	-



SECT. Z-Z
(SIGNAL POSITION)



SECT. Y-Y
(GROUND POSITION)

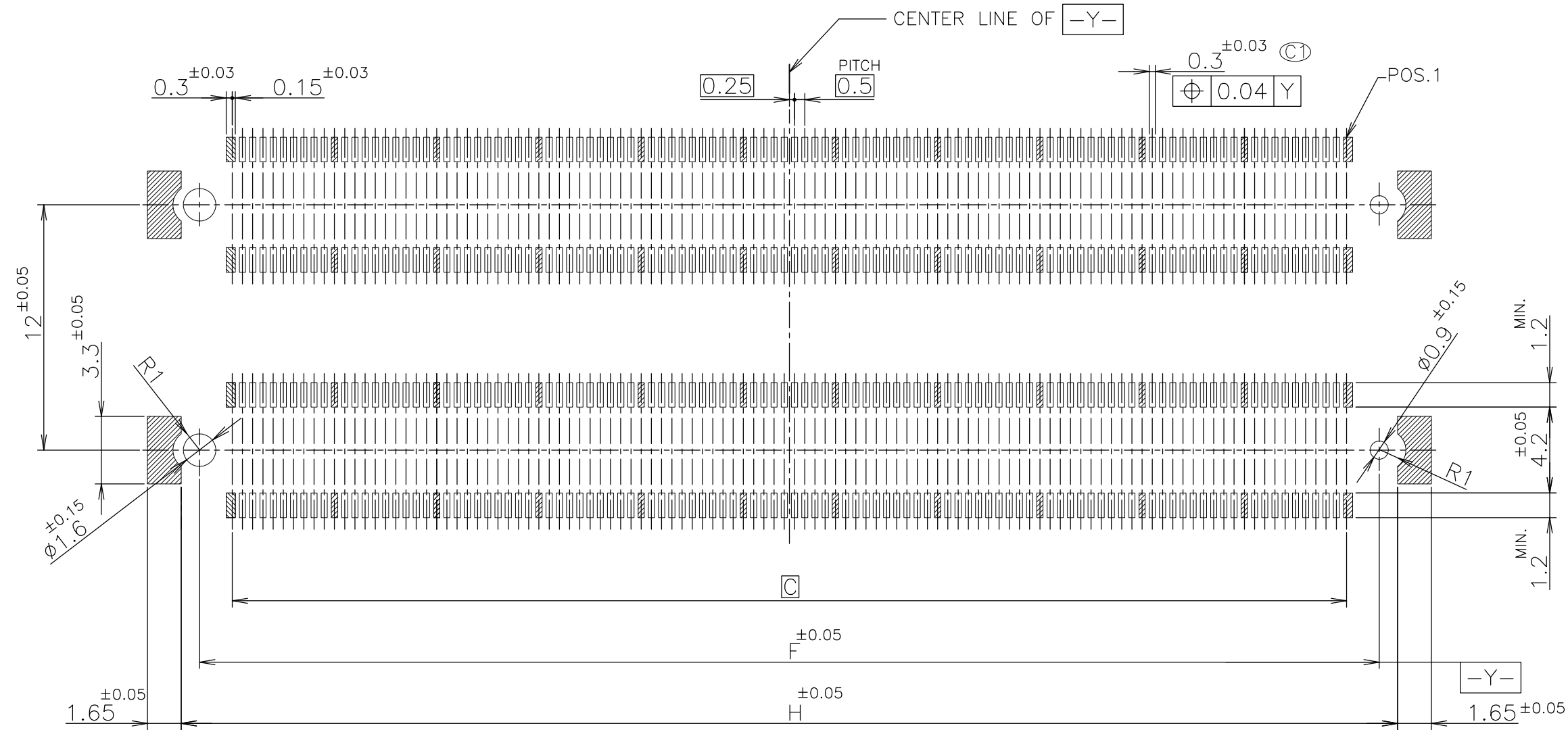
- ③ MATERIAL ; HOUSING : HIGH TEMP THERMO PLASTIC UL94V-0
CONTACT : COPPER ALLOY
SOLDER PEG : COPPER ALLOY
- ④ FINISH ; SIGNAL CONTACT : UNDER PL Ni 0.0013mm MIN ALL OVER.
CONTACT AREA 0.0002mm MIN Au PL.
SOLDERING AREA 0.001mm MIN TIN PL.
GROUND CONTACT : UNDER PL Ni 0.0013mm MIN ALL OVER.
CONTACT AREA 0.0002mm MIN Au PL.
SOLDERING AREA 0.001mm MIN TIN PL.
SOLDER PEG : 0.001mm MIN TIN PL. OVER
0.0013mm MIN Ni PL ALL OVER.
- ⑤ THIS POSITION IS GROUND CIRCUIT.
- ⑥ THIS PRODUCT IS COATED BY FLUX-PENETRATION-INHIDITING AGENT.

46.8	42.7	44.5	42.1	39.5	160	NATURAL	6-5353652-2
46.8	42.7	44.5	42.1	39.5	160	NATURAL	1-5353652-2
61.8	57.7	59.5	57.1	54.5	220	BLACK	3-5353652-6
G	F	E	D	C	POS OF EACH CONNECTOR	HSG COLOR	PART NO.

THIS DRAWING IS A CONTROLLED DOCUMENT.		DWN		TE Connectivity			
DIMENSIONS: MM		TOLERANCES UNLESS OTHERWISE SPECIFIED:					
		0 PLC ± 0.3 1 PLC ± 0.3 2 PLC ± 0.3 3 PLC ± 0.3 4 PLC ± 0.3 ANGLES ± 3°		APVD		PRODUCT SPEC	
MATERIAL ①		FINISH ②		APPLICATION SPEC		HARD TRAY ASSY FH 0.5BTB CONNECTOR PLUG 8H W/G-PLATE ON 2ROW CAP	
				WEIGHT		RESTRICTED TO	
CUSTOMER DRAWING				SIZE A3		CAGE CODE 00779	
				DRAWING NO C-5353652		SCALE 4:1	
				SHEET 5 OF 8		REV C3	

THIS DRAWING IS UNPUBLISHED.
 RELEASED FOR PUBLICATION
 © COPYRIGHT By - ALL RIGHTS RESERVED.

REVISIONS				
P	LTR	DESCRIPTION	DATE	APVD
-	-	SEE SHEET 1	-	-



REFERENCE P.C.BOARD LAYOUT

44.5	42.7	320	6-5353652-2
44.5	42.7	320	1-5353652-2
59.5	57.7	440	3-5353652-6
H	F	POS	PART NO.

THIS DRAWING IS A CONTROLLED DOCUMENT.		DWN	TE Connectivity NAME HARD TRAY ASSY FH 0.5BTB CONNECTOR PLUG 8H W/G-PLATE ON 2ROW CAP	
DIMENSIONS: MM		CHK		
		APVD		
TOLERANCES UNLESS OTHERWISE SPECIFIED: 0 PLC ± 0.3 1 PLC ± 0.3 2 PLC ± 0.3 3 PLC ± 0.3 4 PLC ± 0.3 ANGLES ± 3°		PRODUCT SPEC		
MATERIAL	FINISH	APVD	APPLICATION SPEC	RESTRICTED TO
		WEIGHT	SIZE	CAGE CODE
		CUSTOMER DRAWING	A3	00779
		SCALE	DRAWING NO	
		4:1	C-5353652	
		SHEET	REV	
		6 OF 8	C3	

THIS DRAWING IS UNPUBLISHED.

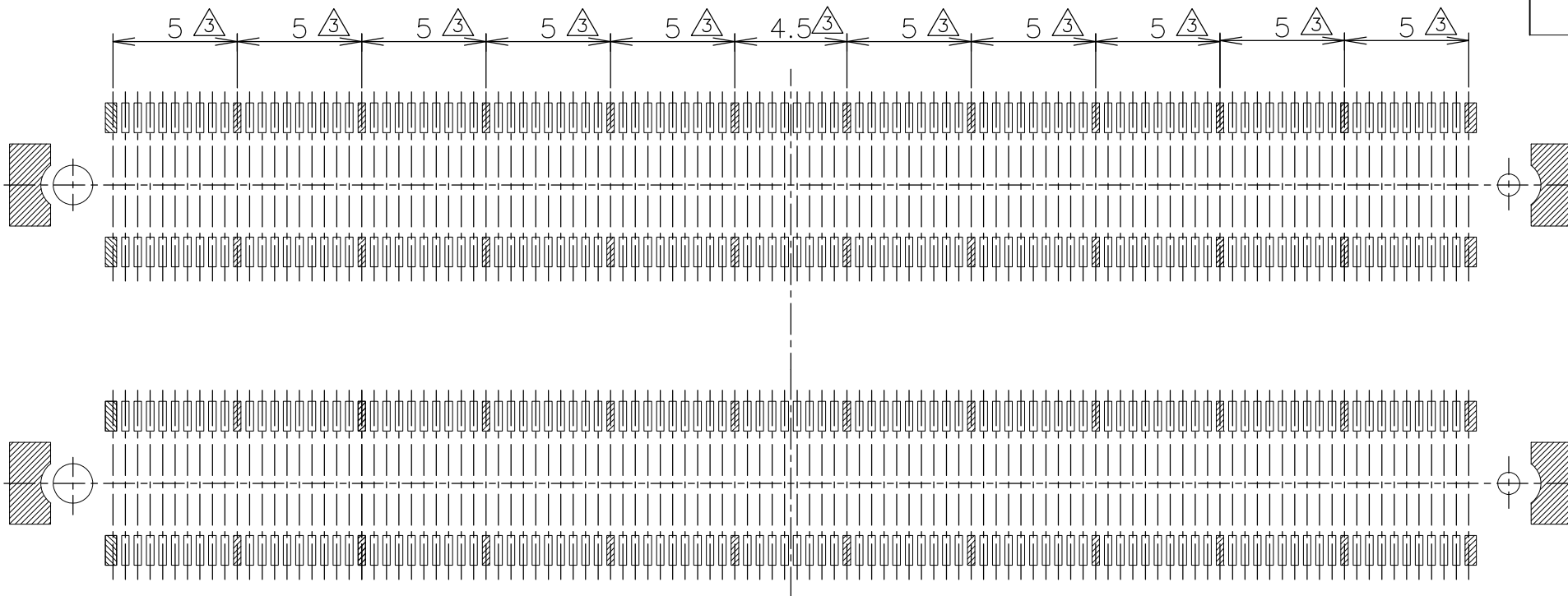
RELEASED FOR PUBLICATION

REVISIONS

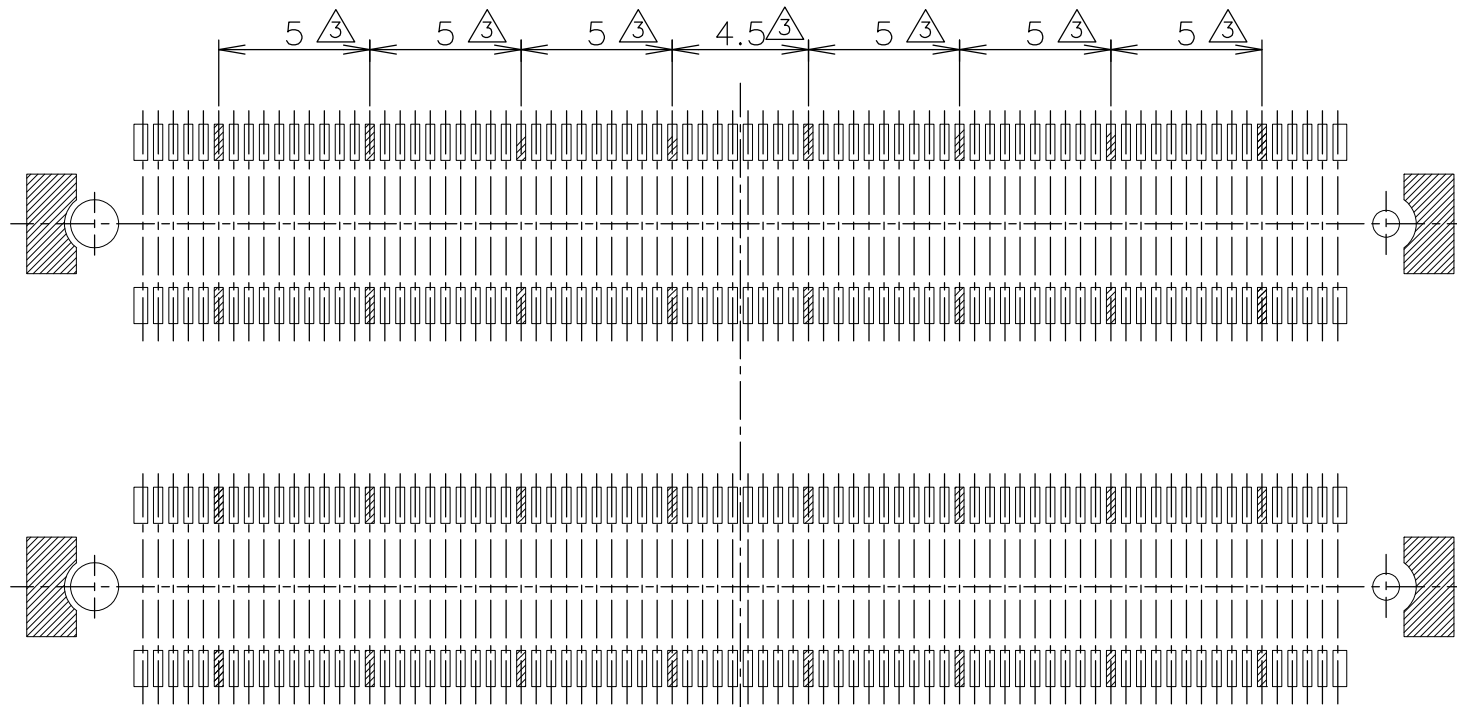
© COPYRIGHT By -

ALL RIGHTS RESERVED.

P	LTR	DESCRIPTION	DATE	DWN	APVD
-	-	SEE SHEET 1	-	-	-


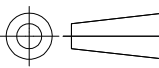


440P



320P

P.C. BOARD LAYOUT

THIS DRAWING IS A CONTROLLED DOCUMENT.		DWN	 TE Connectivity					
DIMENSIONS: MM		CHK				NAME		
TOLERANCES UNLESS OTHERWISE SPECIFIED: 0 PLC ± 0.3 1 PLC ± 0.3 2 PLC ± 0.3 3 PLC ± 0.3 4 PLC ± 0.3 ANGLES ± 3°		APVD				HARD TRAY ASSY FH 0.5BTB CONNECTOR PLUG 8H W/G-PLATE ON 2ROW CAP		
		PRODUCT SPEC				SIZE CAGE CODE DRAWING NO RESTRICTED TO A3 00779 C-5353652		
MATERIAL		APPLICATION SPEC	WEIGHT					
		FINISH	CUSTOMER DRAWING					
			SCALE 4:1		SHEET 7 OF 8			
					REV C3			

4

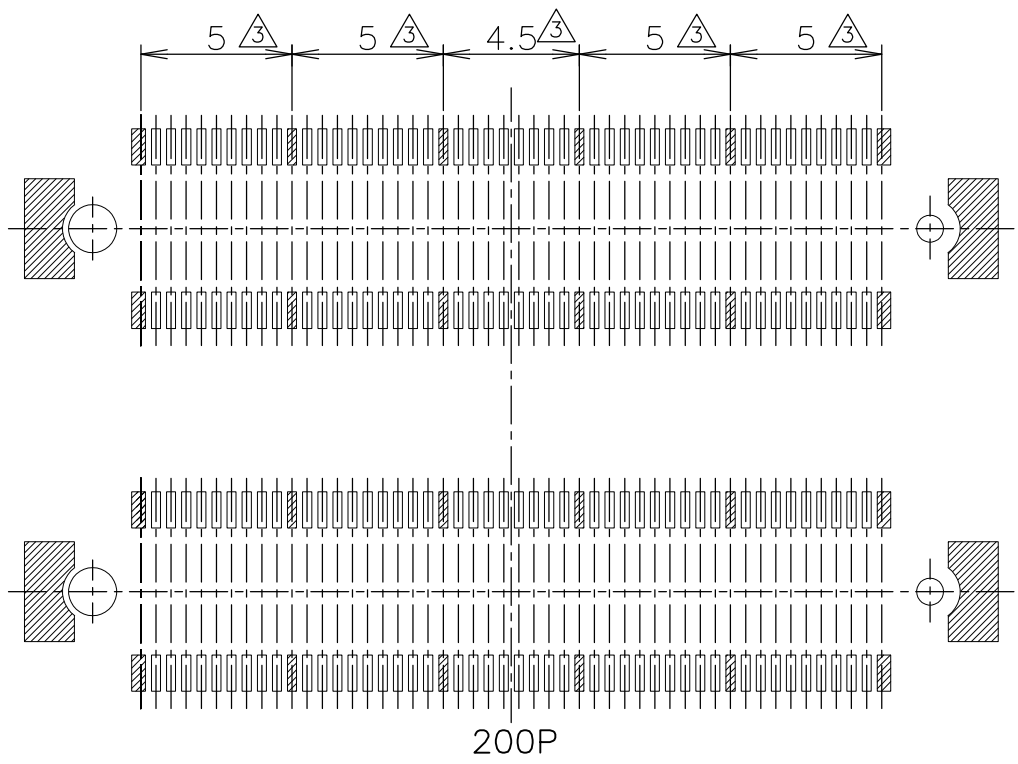
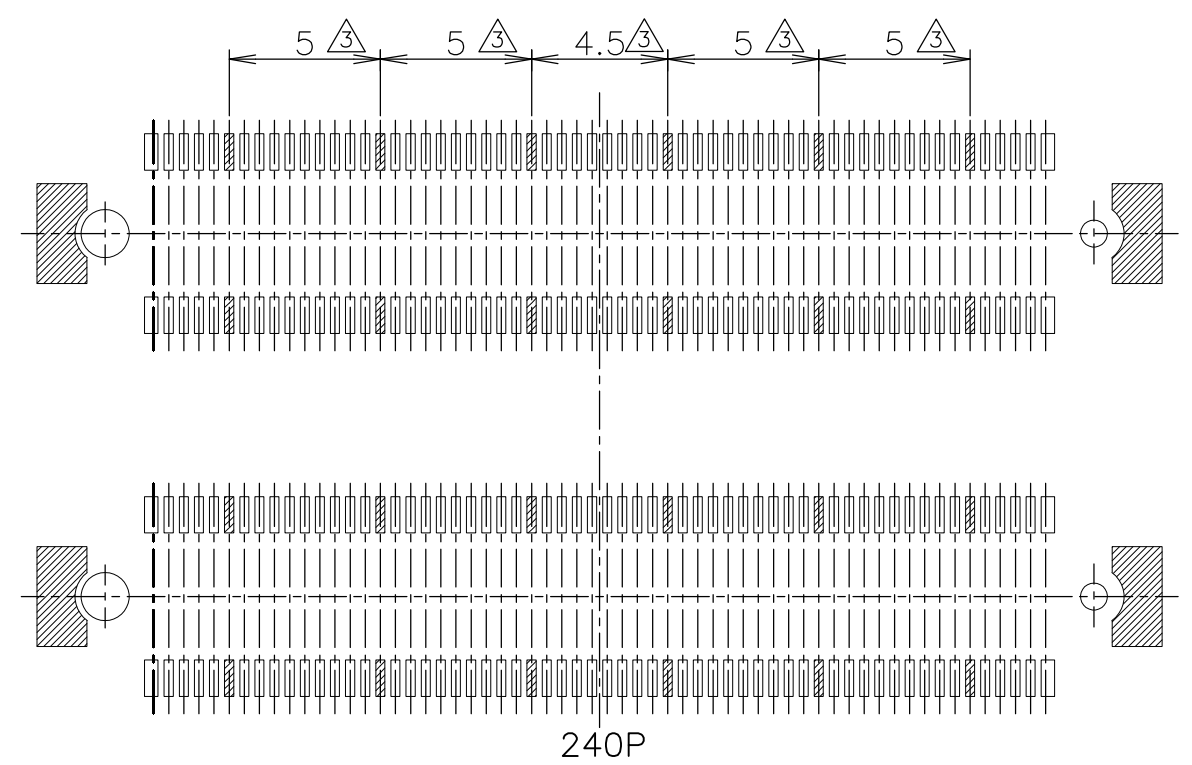
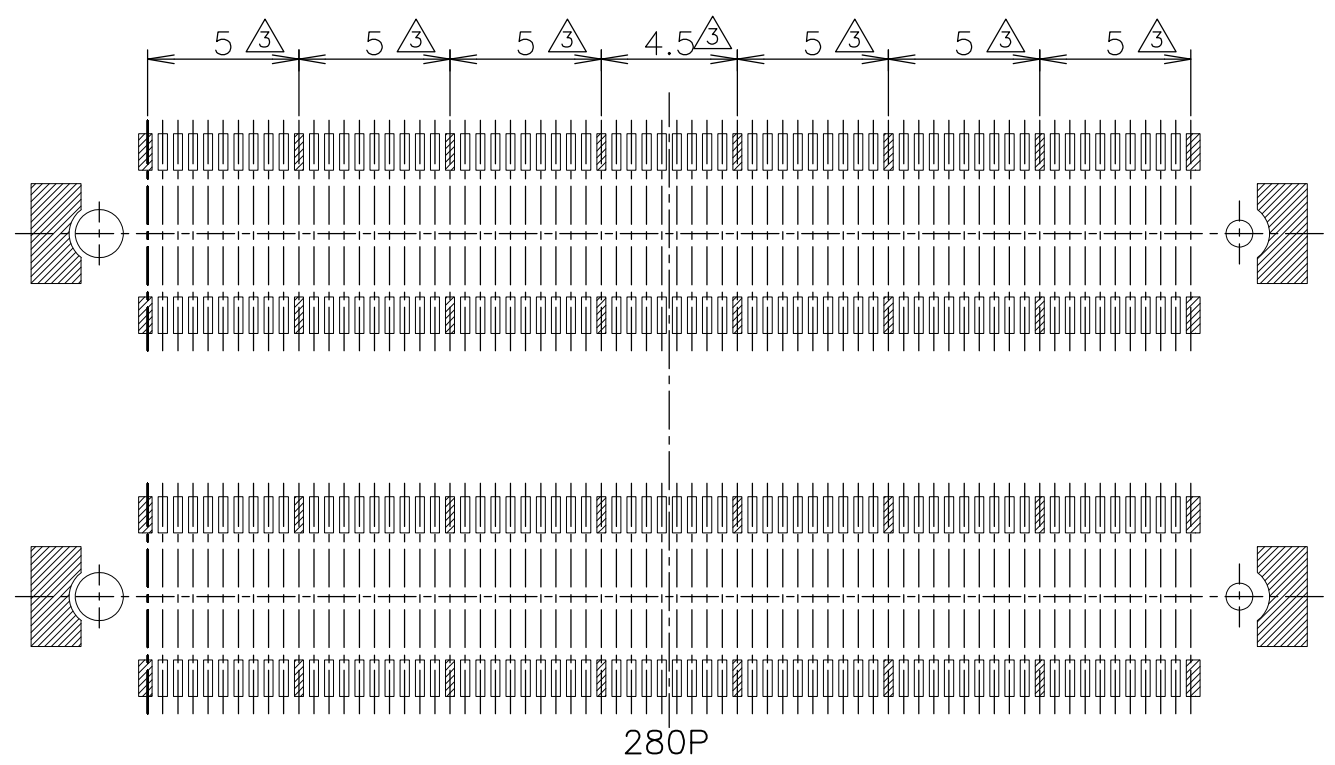
3

2

1

THIS DRAWING IS UNPUBLISHED. RELEASED FOR PUBLICATION
 © COPYRIGHT By - ALL RIGHTS RESERVED.

REVISIONS					
P	LTR	DESCRIPTION	DATE	DWN	APVD
-	-	SEE SHEET 1	-	-	-



THIS DRAWING IS A CONTROLLED DOCUMENT.		DWN	TE Connectivity NAME HARD TRAY ASSY FH 0.5BTB CONNECTOR PLUG 8H W/G-PLATE ON 2ROW CAP				
DIMENSIONS: MM		CHK					
		APVD					
TOLERANCES UNLESS OTHERWISE SPECIFIED: 0 PLC ± 0.3 1 PLC ± 0.3 2 PLC ± 0.3 3 PLC ± 0.3 4 PLC ANGLES ± 3°		PRODUCT SPEC					
MATERIAL		FINISH	APPLICATION SPEC	SIZE	CAGE CODE	DRAWING NO	RESTRICTED TO
CUSTOMER DRAWING			WEIGHT	A3	00779	C-5353652	
			SCALE	SHEET		REV	
			4:1	8 OF 8		C3	