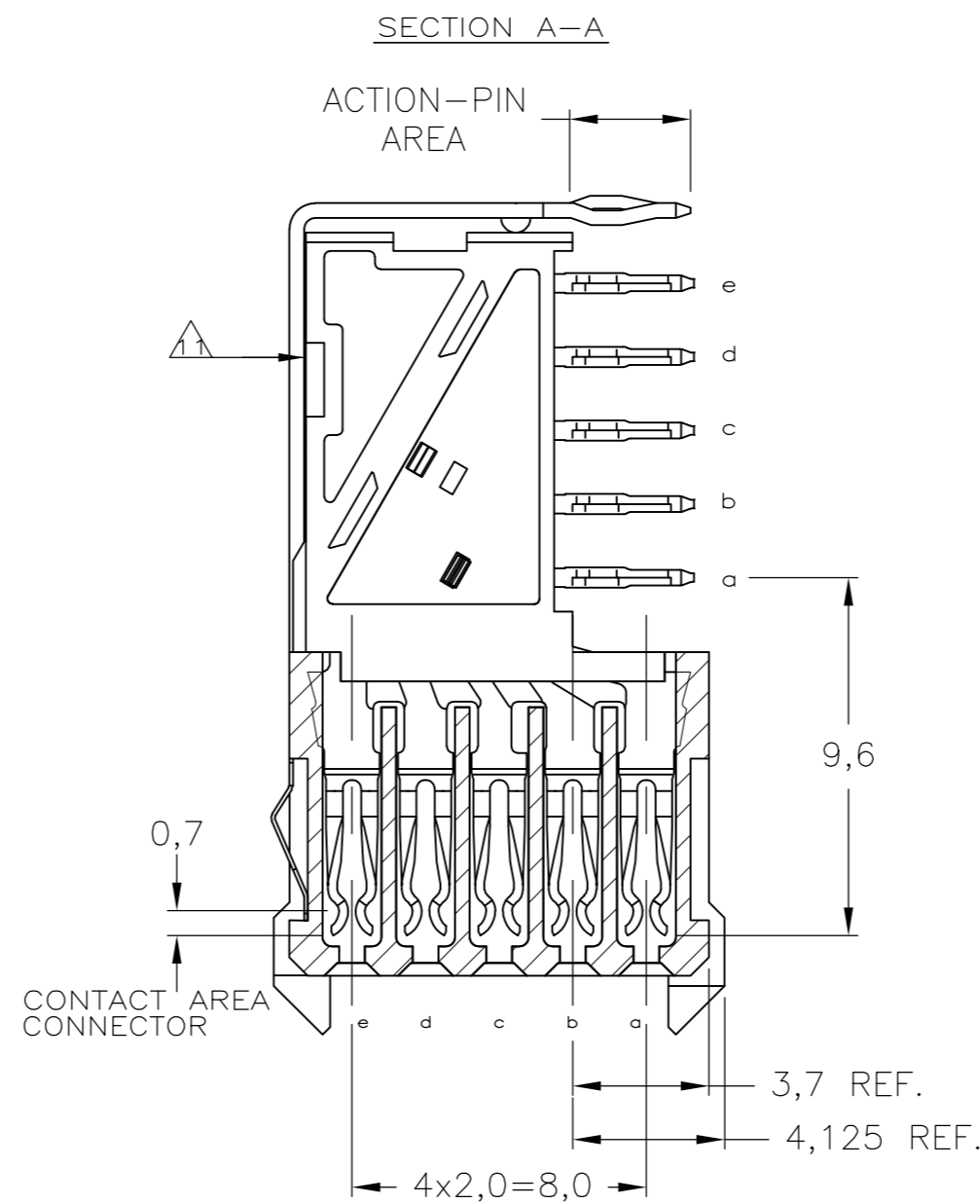
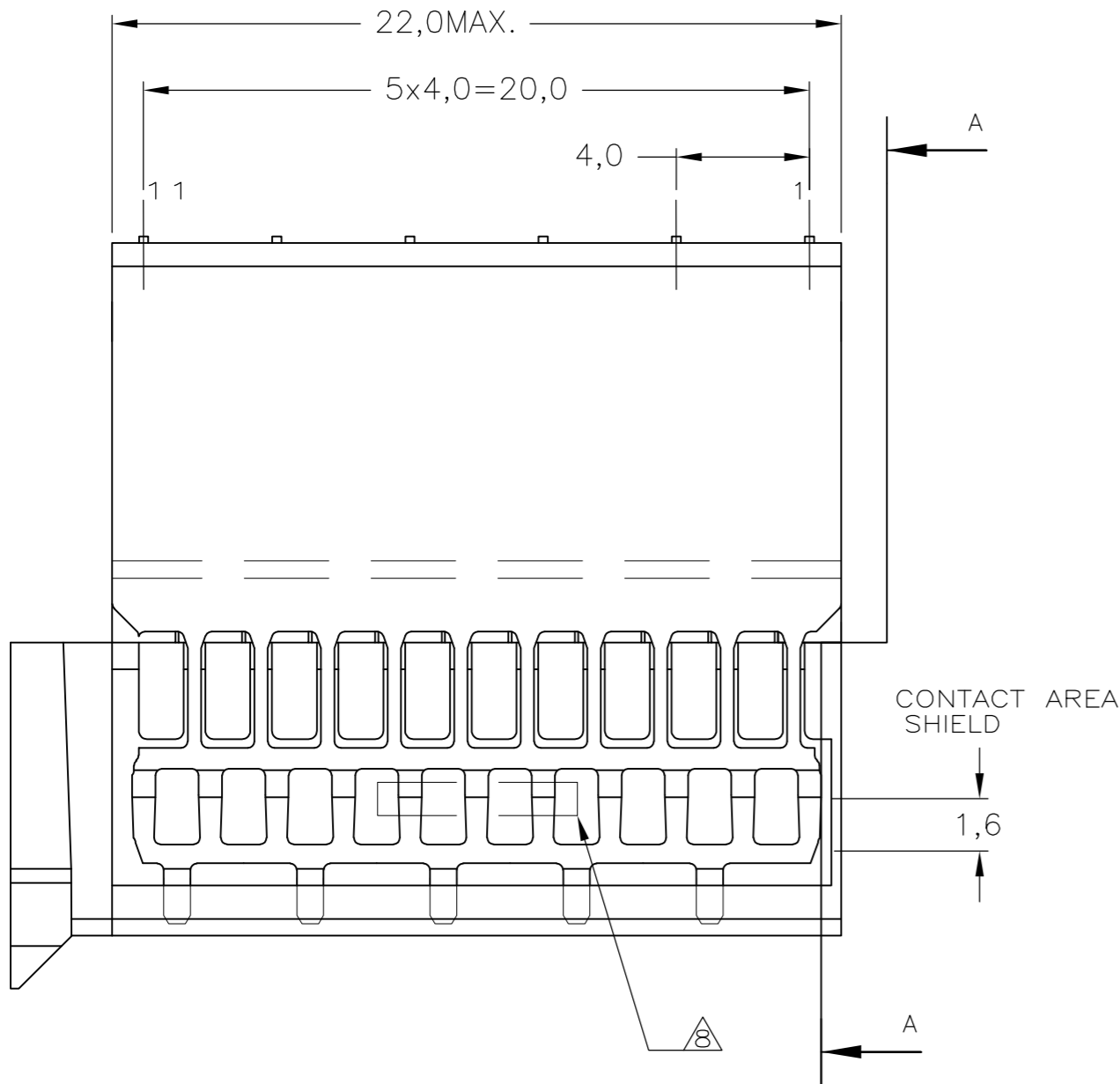


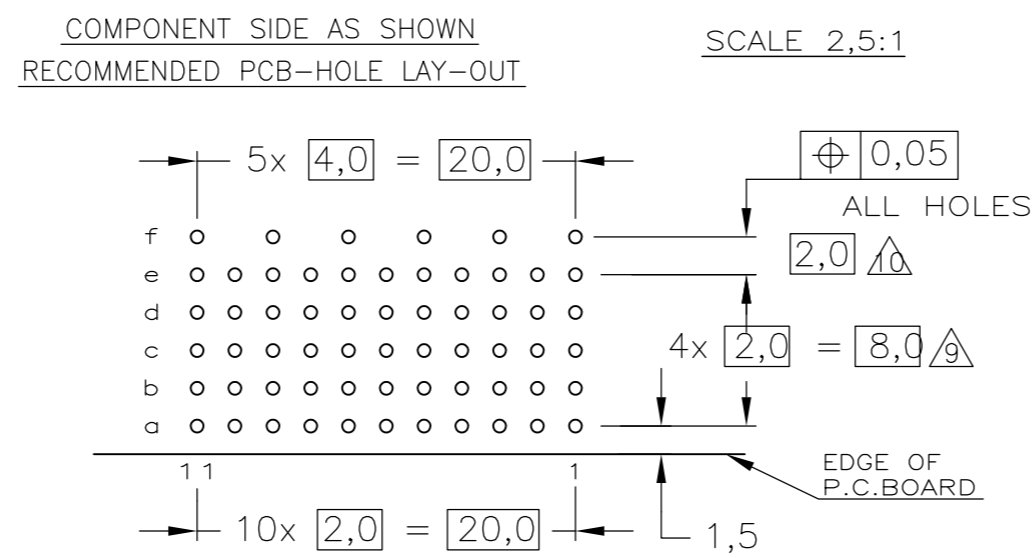
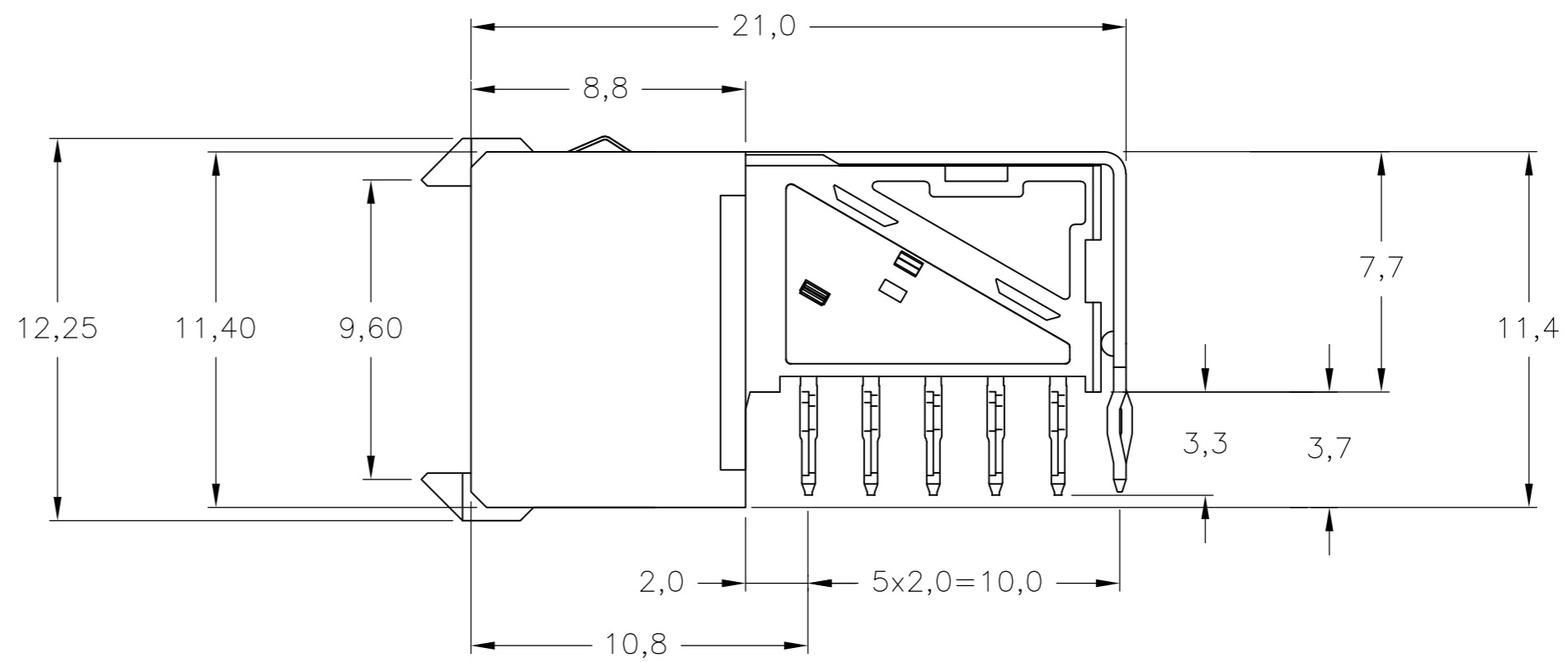
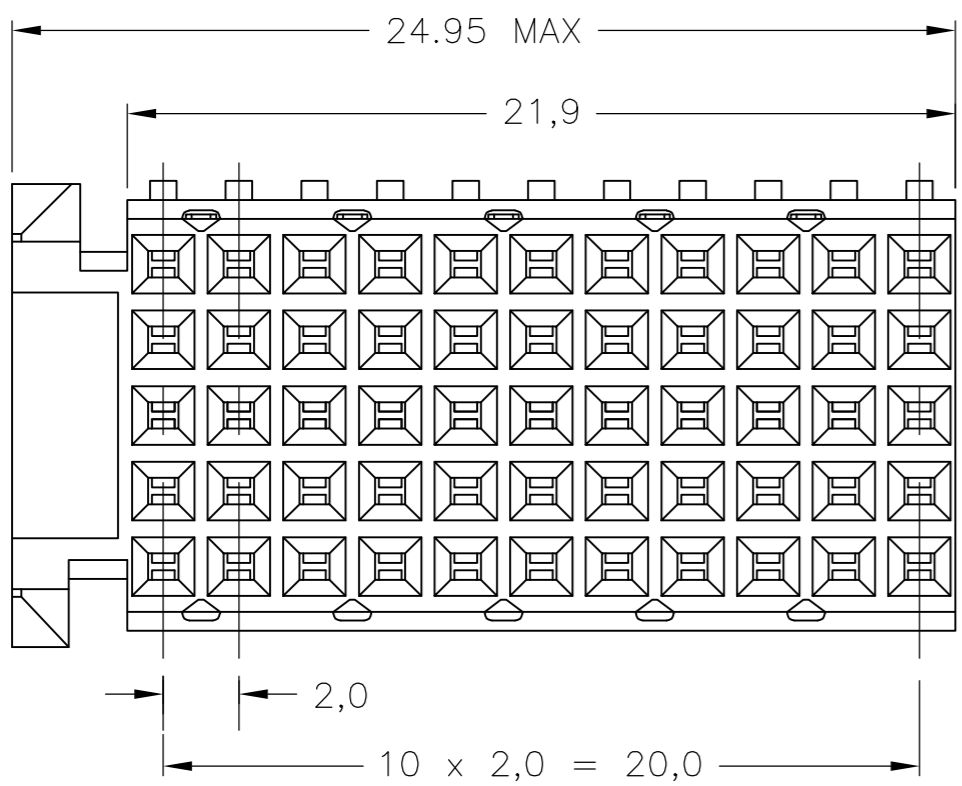
THIS DRAWING IS UNPUBLISHED. RELEASED FOR PUBLICATION
 © COPYRIGHT - By - ALL RIGHTS RESERVED.

| REVISIONS | | | | | |
|-----------|-----|---------------|-----------|-----|------|
| P | LTR | DESCRIPTION | DATE | DWN | APVD |
| H | | ECR-16-013297 | 24JUL2017 | FL | SY |



NOTES:

- ⚠ MATERIAL CONTACTS; PHOSPHORBRONZE
MATERIAL SHIELD ; PHOSPHORBRONZE
MATERIAL HOUSING; GLASSFILLED POLYESTER (GRAY)
- ⚠ GENERAL PLATING SPECIFICATION: UNDERPLATING (ENTIRE CONTACT):
1,27µm NICKEL MIN. AND ACTION PIN: 0,5µm TIN MIN.
FOR PLATING OF MATING SURFACES SEE APPLICABLE SPECIFICATION REFERENCE FOR EACH DASH NUMBER.
- ⚠ CONFORMS TO ALL TESTING ACCORDING IEC 61076-4-101 PERFORMANCE LEVEL 2.
- ⚠ CONFORMS TO ALL TESTING ACCORDING IEC 61076-4-101 PERFORMANCE LEVEL 1.
- ⚠ CONNECTOR TESTED AND QUALIFIED AGAINST TELCORDIA GR-1217-CORE QUALITY LEVEL III, CENTRAL OFFICE APPLICATIONS.
- ⚠ CONNECTOR LUBRICATED WITH TELCORDIA GR-1217-CORE APPROVED LUBRICANT.
- ⚠ ASSEMBLY PRINTED WITH P/N AND DATECODE
THE MARKING CAN APPEAR ON THE FRONT SIDE OR BACK SIDE.
- ⚠ HOLE PATTERN FOR FEMALE CONNECTOR TYPE C
55 PLATED-THROUGH HOLES AT 2x2mm SQUARE GRID
ROW "r" 6 PLATED THROUGH HOLES FOR UPPERSHIELD
- ⚠ SHIELD MOUNTED ON CONNECTOR WITH DOUBLE SIDED ADHESIVE TAPE OR ADHESIVE
- 12 FITS WITH LOWERSHIELD, BASIC PARTNUMBER : 5352112.
- ⚠ 0.76µm MIN Au PLATING AT MATING SURFACES.



P.C.B. HOLE DIM. ACTION PIN
FOR DETAILS SEE APPLICATION SPECIFICATION

| | | | |
|----------|-----|----------|-------------|
| OBsolete | ⚠⚠⚠ | ⚠ | 3-5352115-0 |
| OBsolete | ⚠⚠⚠ | ⚠ | 5352115-9 |
| OBsolete | ⚠⚠ | ⚠ | 5352115-4 |
| | ⚠⚠ | ⚠ | 5352115-1 |
| FINISH | | MATERIAL | PARTNUMBER |

THIS DRAWING IS A CONTROLLED DOCUMENT.

| | | | |
|----------------------------|---|-------------------------|-----------------------|
| DIMENSIONS: mm | TOLERANCES UNLESS OTHERWISE SPECIFIED: ±0.2 | DWN K.N.KIRAN 19AUG2004 | TE Connectivity |
| MATERIAL | FINISH | CHK B.MOOIJ 24SEP2004 | |
| APVD B.MOOIJ 24SEP2004 | | NAME | |
| PRODUCT SPEC 108-19082 | | Z-PACK 2mm HM | |
| APPLICATION SPEC 114-19029 | | TYPE C - 11 COLUMNS | |
| WEIGHT 0.000000 | | PRE-SHIELDED RECEPTACLE | |
| CUSTOMER DRAWING | | SIZE A2 | RESTRICTED TO |
| SCALE 5:1 | | CAGE CODE 00779 | DRAWING NO. C=5352115 |
| SHEET 1 of 1 | | REV H | |