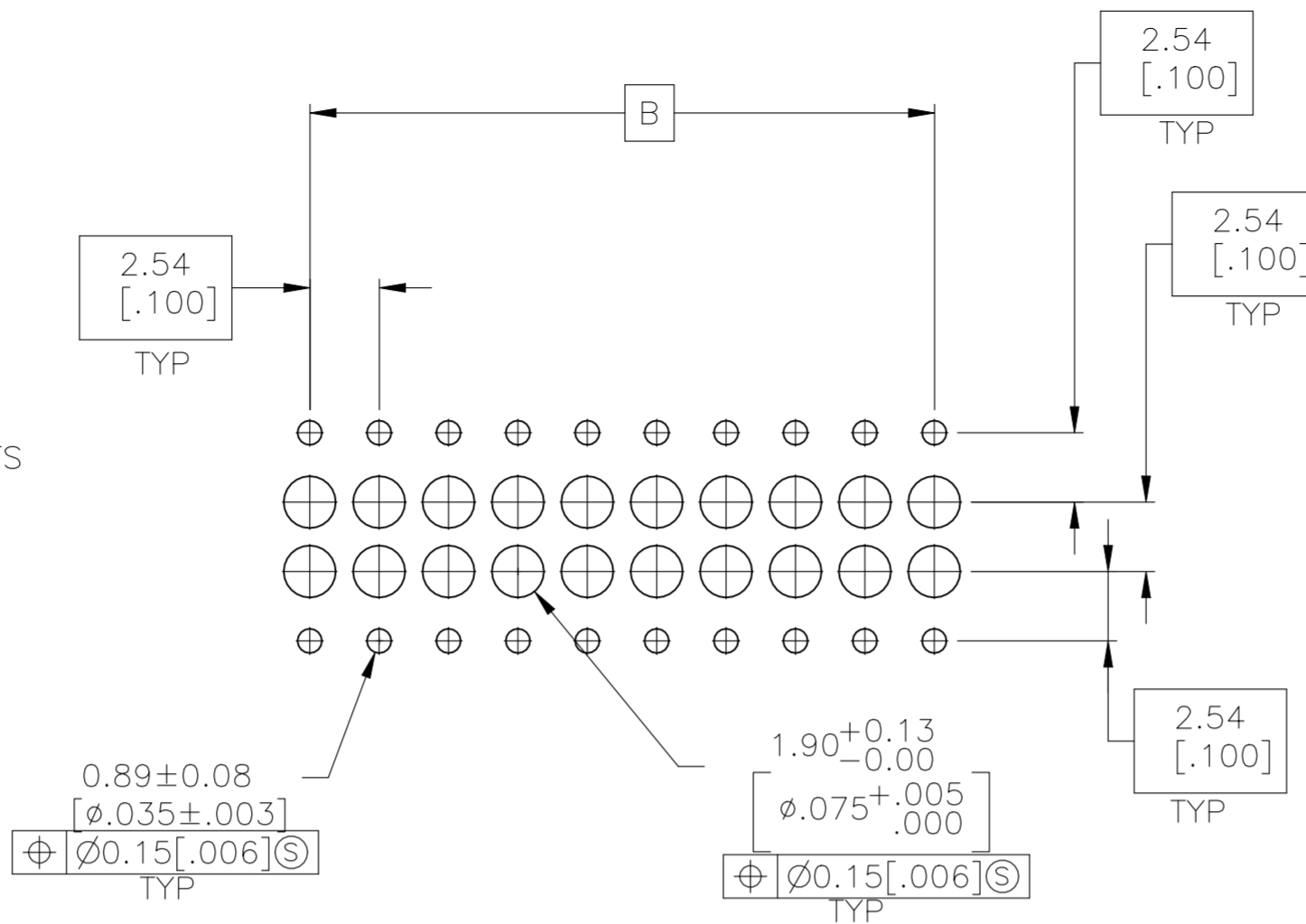
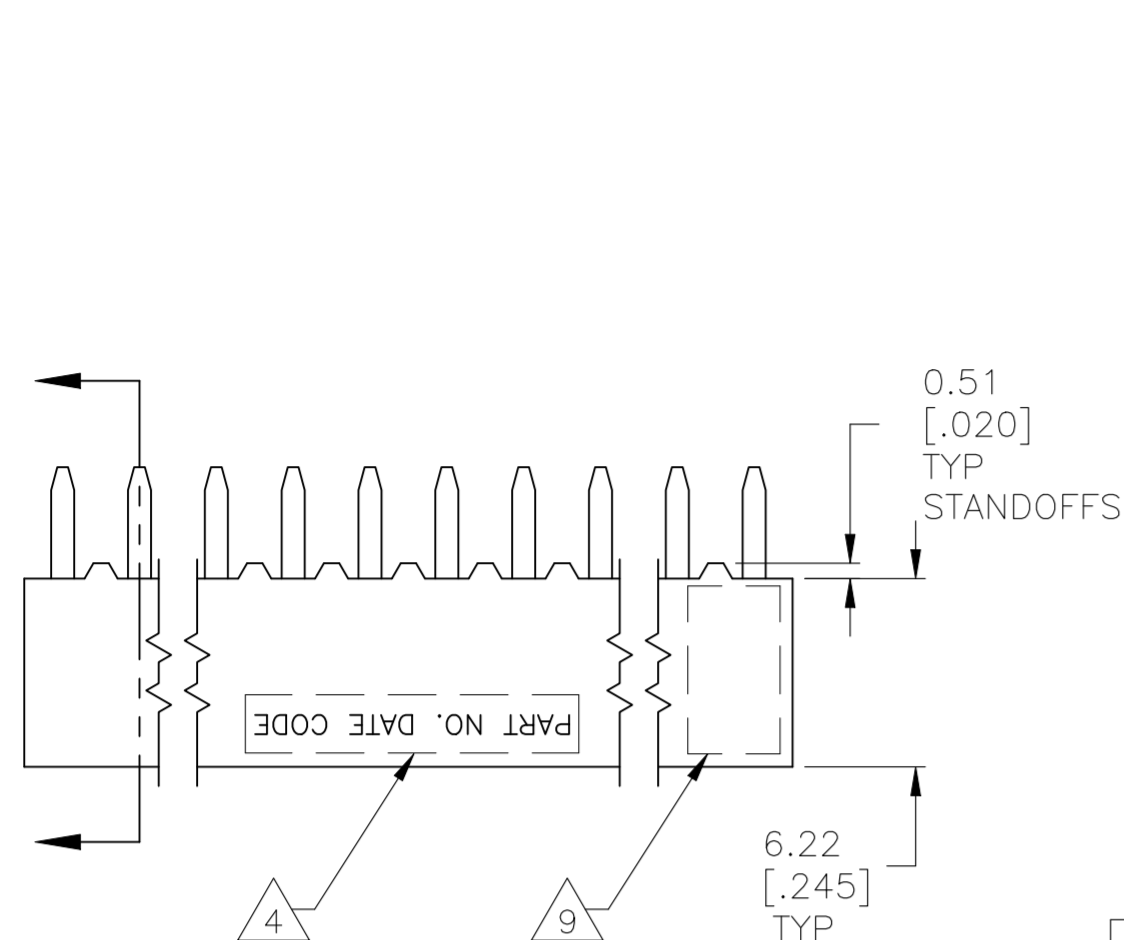


REVISIONS					
P	LTR	DESCRIPTION	DATE	DWN	APVD
	AC	RESIN SUPPLIER CHANGE FOR THE HOUSING	03DEC2021	SCB	KJK



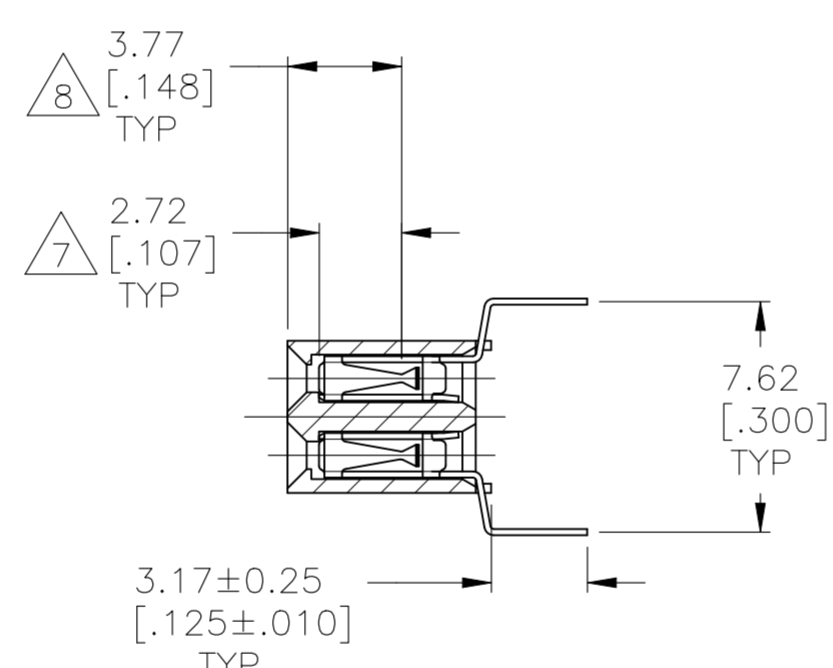
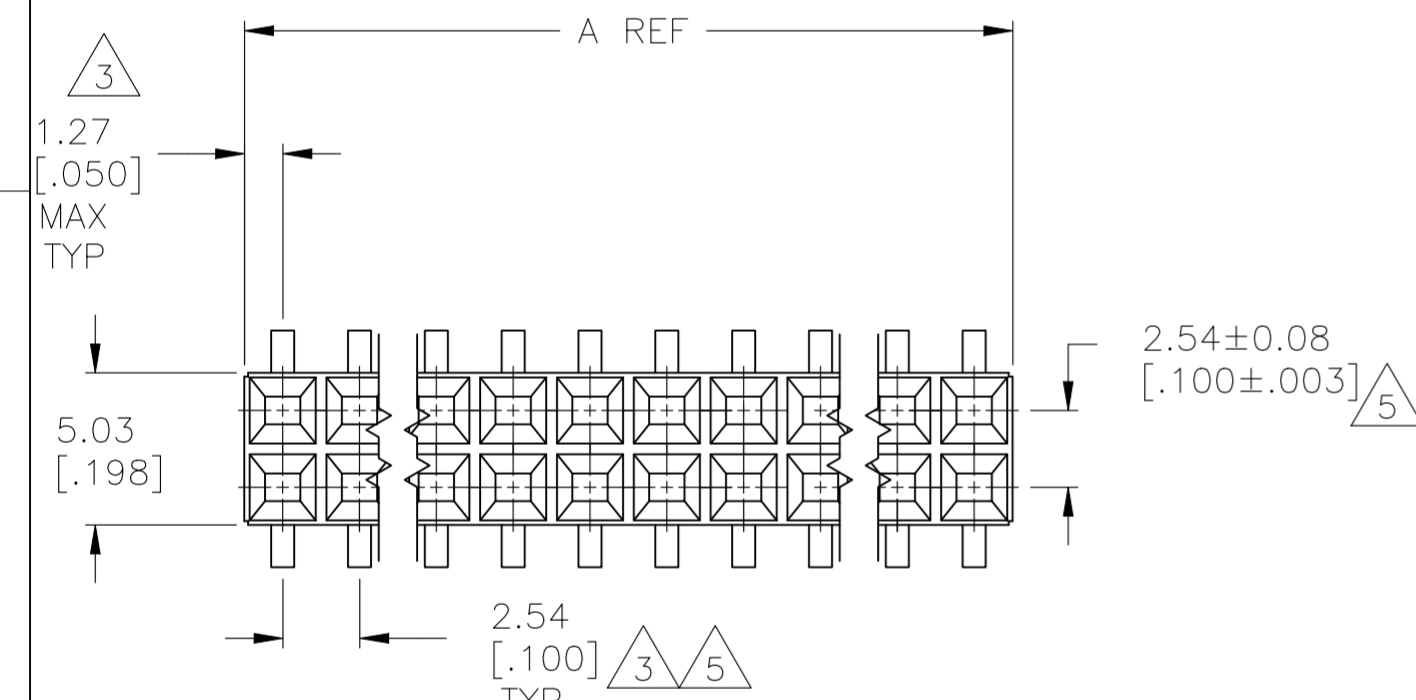
RECOMMENDED PC BOARD HOLE PATTERN
PC BOARD THICKNESS 1.57[.062]

12 ROHS 2002/95/EC COMPLIANT

SUPERSEDED BY 8-534267-4

2	96.52[3.800]	99.06[3.900]	78	4-534267-0
2	91.44[3.600]	93.98[3.700]	74	3-534267-9
2	88.90[3.500]	91.44[3.600]	72	3-534267-8
2	86.36[3.400]	88.90[3.500]	70	3-534267-7
2	83.82[3.300]	86.36[3.400]	68	3-534267-6
2	81.28[3.200]	83.82[3.300]	66	3-534267-5
2	78.74[3.100]	81.28[3.200]	64	3-534267-4
2	76.20[3.000]	78.74[3.100]	62	3-534267-3
2	71.12[2.800]	73.66[2.900]	58	3-534267-2
2	68.58[2.700]	71.12[2.800]	56	3-534267-1
2	66.04[2.600]	68.58[2.700]	54	3-534267-0
2	63.50[2.500]	66.04[2.600]	52	2-534267-9
2	55.88[2.200]	58.42[2.300]	46	2-534267-8
2	53.34[2.100]	55.88[2.200]	44	2-534267-7
2	50.80[2.000]	53.34[2.100]	42	2-534267-6
2	45.72[1.800]	48.26[1.900]	38	2-534267-5
2	40.64[1.600]	43.18[1.700]	34	2-534267-4
2	38.10[1.500]	40.64[1.600]	32	2-534267-3
2	33.02[1.300]	35.56[1.400]	28	2-534267-2
2	25.40[1.000]	27.94[1.100]	22	2-534267-1
2	12.70[.500]	15.24[.600]	12	2-534267-0
2	17.78[.700]	20.32[.800]	16	1-534267-9
2	60.96[2.400]	63.50[2.500]	50	1-534267-8
2	2.54[.100]	5.08[.200]	4	1-534267-7
2	93.98[3.700]	96.52[3.800]	76	1-534267-6
2	43.18[1.700]	45.72[1.800]	36	1-534267-5
2	5.08[.200]	7.62[.300]	6	1-534267-4
10	OBSELETE	2.54[.100]	2	6-534267-3
2	35.56[1.400]	38.10[1.500]	30	1-534267-2
2	58.42[2.300]	60.96[2.400]	48	1-534267-1
2	20.32[.800]	22.86[.900]	18	1-534267-0
2	27.94[1.100]	30.48[1.200]	24	534267-9
2	73.66[2.900]	76.20[3.000]	60	534267-8
2	48.26[1.900]	50.80[2.000]	40	534267-7
2	30.48[1.200]	33.02[1.300]	26	534267-6
2	7.62[.300]	10.16[.400]	8	534267-5
2	99.06[3.900]	101.60[4.000]	80	534267-4
2	10.16[.400]	12.70[.500]	10	534267-3
2	22.86[.900]	25.40[1.000]	20	534267-2
2	15.24[.600]	17.78[.700]	14	534267-1

FINISH	B	A	NO OF POSN	PART NUMBER



- 1 HOUSING: FLAME RETARDANT, GLASS FILLED, POLYESTER, COLOR: BLACK. CONTACT: PHOSPHOR BRONZE
- 2 CONTACT: DUPLEX PLATED 0.76µm[.000030] GOLD IN CONTACT AREA, 3.81-7.62µm[.000150-.000300] BRIGHT TIN-LEAD ON LEADS, ALL OVER 1.27µm[.000050] MINIMUM NICKEL
- 3 THESE DIMENSIONS PERTAIN TO CAVITY CENTERLINES ONLY - NOT TO CONTACT LOCATIONS
- 4 PART NUMBER AND DATE CODE ARE MARKED IN APPROXIMATE LOCATION SHOWN,EITHER SIDE.
- 5 TOLERANCE IS NON-CUMULATIVE.
- 6 2 POSITION DATE CODE IS MARKED OPPOSITE SIDE OF TE CONNECTIVITY LOGO.
- 7 POINT-OF-MEASUREMENT DIMENSION FOR PLATING THICKNESS (INSIDE CONTACT BEAM).
- 8 POINT-OF-CONTACT DIMENSION.
- 9 TE CONNECTIVITY TRADEMARK AND CSA LOGO ARE MOLDED INTO HOUSING, THIS LOCATION.
- 10 NO PART NUMBER MARKING REQUIRED FOR THIS PART.
- 11 CONTACT:DUPLEX PLATED 0.76 MICROMETERS(.000030) MIN GOLD IN CONTACT AREA,3.81-7.62 MICROMETERS(.000150-.000300) MATTE TIN ON LEADS, ALL OVER 1.27 MICROMETERS (.000050) MINIMUM NICKEL.

THIS DRAWING IS A CONTROLLED DOCUMENT.


DIMENSIONS: mm [INCHES]	TOLERANCES UNLESS OTHERWISE SPECIFIED: 0 PLC ± - 1 PLC ± - 2 PLC ± 0.13[.005] 3 PLC ± - 4 PLC ± - ANGLES ± -	DWN M.BINNER 06NOV2002	CHK J.OLSON 06NOV02	APVD J.OLSON 06NOV02	NAME
MATERIAL 1	FINISH 11 2	TE Connectivity Ltd.		RECEPTACLE ASSEMBLY, MOD IV, DOUBLE ROW, DUAL ENTRY, .100X.100CL, VERTICAL MOUNT, AMPMODU	
CUSTOMER DRAWING		SCALE 4:1	SHEET 1 of 2	REV AC	RESTRICTED TO

REVISIONS

P	LTR	DESCRIPTION	DATE	DWN	APVD
-	-	SEE SHEET 1	-	-	-

\triangle_{11}	96.52[3.800]	99.06[3.900]	78	\triangle_{12}	9-534267-0
\triangle_{11}	91.44[3.600]	93.98[3.700]	74	\triangle_{12}	8-534267-9
\triangle_{11}	88.90[3.500]	91.44[3.600]	72	\triangle_{12}	8-534267-8
\triangle_{11}	86.36[3.400]	88.90[3.500]	70	\triangle_{12}	8-534267-7
\triangle_{11}	83.82[3.300]	86.36[3.400]	68	\triangle_{12}	8-534267-6
\triangle_{11}	81.28[3.200]	83.82[3.300]	66	\triangle_{12}	8-534267-5
\triangle_{11}	78.74[3.100]	81.28[3.200]	64	\triangle_{12}	8-534267-4
\triangle_{11}	76.20[3.000]	78.74[3.100]	62	\triangle_{12}	8-534267-3
\triangle_{11}	71.12[2.800]	73.66[2.900]	58	\triangle_{12}	8-534267-2
\triangle_{11}	68.58[2.700]	71.12[2.800]	56	\triangle_{12}	8-534267-1
\triangle_{11}	66.04[2.600]	68.58[2.700]	54	\triangle_{12}	8-534267-0
\triangle_{11}	63.50[2.500]	66.04[2.600]	52	\triangle_{12}	7-534267-9
\triangle_{11}	55.88[2.200]	58.42[2.300]	46	\triangle_{12}	7-534267-8
\triangle_{11}	53.34[2.100]	55.88[2.200]	44	\triangle_{12}	7-534267-7
\triangle_{11}	50.80[2.000]	53.34[2.100]	42	\triangle_{12}	7-534267-6
\triangle_{11}	45.72[1.800]	48.26[1.900]	38	\triangle_{12}	7-534267-5
\triangle_{11}	40.64[1.600]	43.18[1.700]	34	\triangle_{12}	7-534267-4
\triangle_{11}	38.10[1.500]	40.64[1.600]	32	\triangle_{12}	7-534267-3
\triangle_{11}	33.02[1.300]	35.56[1.400]	28	\triangle_{12}	7-534267-2
\triangle_{11}	25.40[1.000]	27.94[1.100]	22	\triangle_{12}	7-534267-1
\triangle_{11}	12.70[.500]	15.24[.600]	12	\triangle_{12}	7-534267-0
\triangle_{11}	17.78[.700]	20.32[.800]	16	\triangle_{12}	6-534267-9
\triangle_{11}	60.96[2.400]	63.50[2.500]	50	\triangle_{12}	6-534267-8
\triangle_{10} \triangle_{11}	2.54[.100]	5.08[.200]	4	\triangle_{12}	6-534267-7
\triangle_{11}	93.98[3.700]	96.52[3.800]	76	\triangle_{12}	6-534267-6
\triangle_{11}	43.18[1.700]	45.72[1.800]	36	\triangle_{12}	6-534267-5
\triangle_{10} \triangle_{11}	5.08[.200]	7.62[.300]	6	\triangle_{12}	6-534267-4
\triangle_{10} OBSOLETE \triangle_{11}	-	2.54[.100]	2	\triangle_{12} \triangle_{16}	6-534267-3
\triangle_{11}	35.56[1.400]	38.10[1.500]	30	\triangle_{12}	6-534267-2
\triangle_{11}	58.42[2.300]	60.96[2.400]	48	\triangle_{12}	6-534267-1
\triangle_{11}	20.32[.800]	22.86[.900]	18	\triangle_{12}	6-534267-0
\triangle_{11}	27.94[1.100]	30.48[1.200]	24	\triangle_{12}	5-534267-9
\triangle_{11}	73.66[2.900]	76.20[3.000]	60	\triangle_{12}	5-534267-8
\triangle_{11}	48.26[1.900]	50.80[2.000]	40	\triangle_{12}	5-534267-7
\triangle_{11}	30.48[1.200]	33.02[1.300]	26	\triangle_{12}	5-534267-6
\triangle_{10} \triangle_{11}	7.62[.300]	10.16[.400]	8	\triangle_{12}	5-534267-5
\triangle_{11}	99.06[3.900]	101.60[4.000]	80	\triangle_{12}	5-534267-4
\triangle_{10} \triangle_{11}	10.16[.400]	12.70[.500]	10	\triangle_{12}	5-534267-3
\triangle_{11}	22.86[.900]	25.40[1.000]	20	\triangle_{12}	5-534267-2
\triangle_{11}	15.24[.600]	17.78[.700]	14	\triangle_{12}	5-534267-1

FINISH	B	A	NO OF POSN	PART NUMBER
--------	---	---	------------	-------------

THIS DRAWING IS A CONTROLLED DOCUMENT.		DWN M.BINNER 06NOV2002	 TE Connectivity Ltd.		
DIMENSIONS: mm [INCHES]		CHK J.OLSON 06NOV02			
TOLERANCES UNLESS OTHERWISE SPECIFIED:		APVD J.OLSON 06NOV02	NAME RECEPTACLE ASSEMBLY, MOD IV, DOUBLE ROW, DUAL ENTRY, .100X.100CL, VERTICAL MOUNT, AMPMODU		
0 PLC ± - 1 PLC ± - 2 PLC ± 0.13[.005] 3 PLC ± - 4 PLC ± - ANGLES ± -		PRODUCT SPEC 108-25022	SIZE A2	CAGE CODE 00779	DRAWING NO C=534267
MATERIAL \triangle_1	FINISH \triangle_{11} \triangle_2	APPLICATION SPEC 114-25018	RESTRICTED TO -	SCALE 1:1	SHEET 2 OF 2
CUSTOMER DRAWING			REV AC		