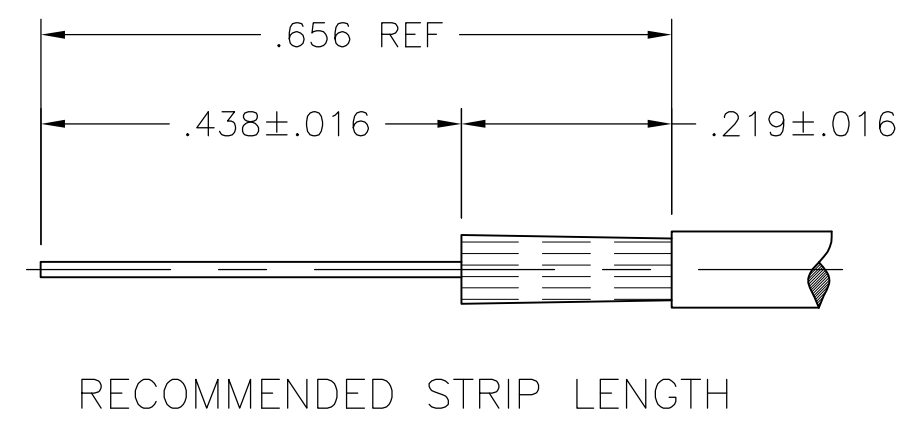
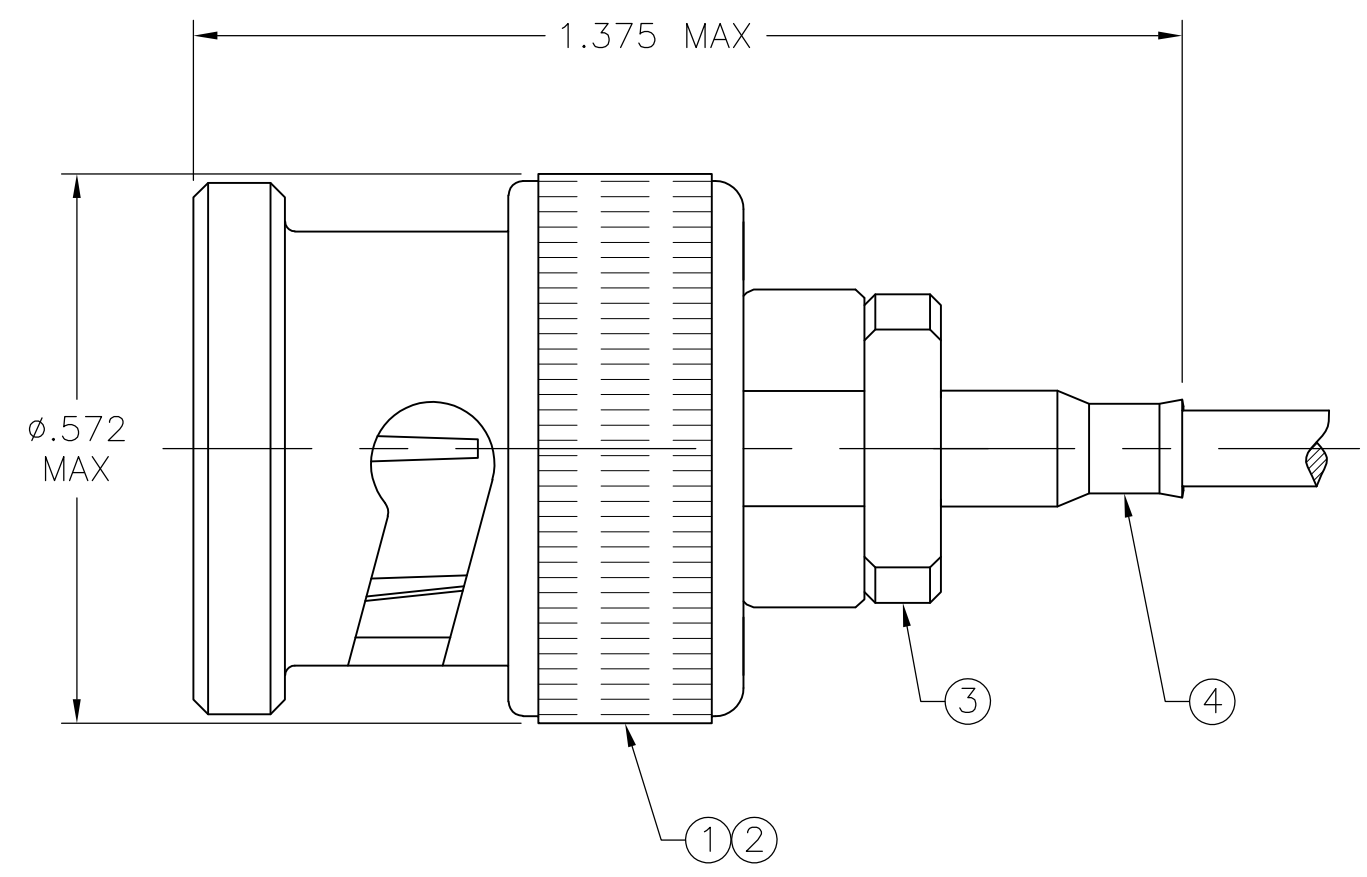


THIS DRAWING IS UNPUBLISHED. RELEASED FOR PUBLICATION
 © COPYRIGHT - By - ALL RIGHTS RESERVED.

LOC	DIST	REVISIONS					
		P	LTR	DESCRIPTION	DATE	DWN	APVD
AJ	16		A	REV PER ECO 06-002539	06APR06	GB	JH
			B	REV PER ECO-12-011084	13JUN12	TITAN	MARTIN

1. FOR USE WITH: RG-174/U & 188/U CABLE.
2. USE CRIMPING TOOL: HAND TOOL 69710-1 WITH DIE SET 69422
3. SEE INSTRUCTION SHEET 408-1799-1.



9-328666-3	9-50780-7	2-329106-1	9-329327-1	2-5330058-1
④ FERRULE QTY=1	③ CRIMP AND ASSY QTY=1	② GASKET QTY=1	① PLUG ASSEMBLY QTY=1	PART NUMBER

THIS DRAWING IS A CONTROLLED DOCUMENT.		DWN B. MCMASTER 10DEC05	TE Connectivity NAME CONNECTOR, COAXIAL RF PLUG, SERIES BNC	
DIMENSIONS: INCHES		CHK J. LIPPERT 10DEC05		
TOLERANCES UNLESS OTHERWISE SPECIFIED:		APVD J. LIPPERT 10DEC05	SIZE	
0 PLC ± - 1 PLC ± - 2 PLC ± - 3 PLC ± - 4 PLC ± - ANGLES ± -		PRODUCT SPEC	CAGE CODE	
MATERIAL		APPLICATION SPEC	DRAWING NO	
FINISH		WEIGHT .417 oz	A300779 C-5330058	
		CUSTOMER DRAWING		RESTRICTED TO
		SCALE 5:1	SHEET 1 OF 1	REV B