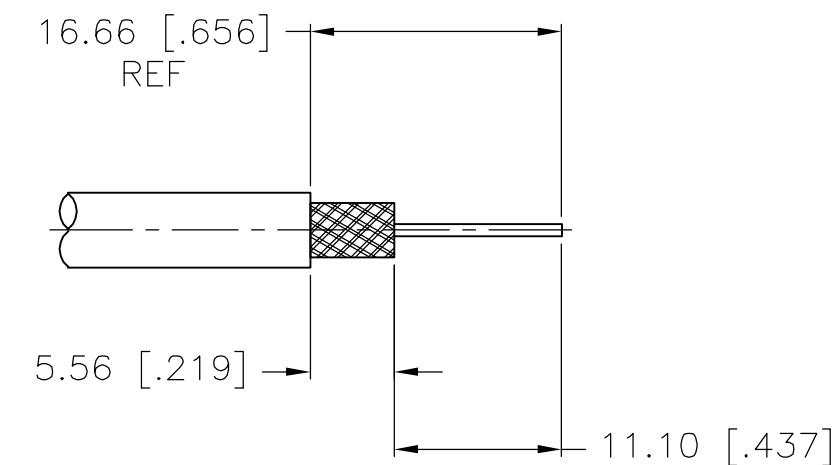
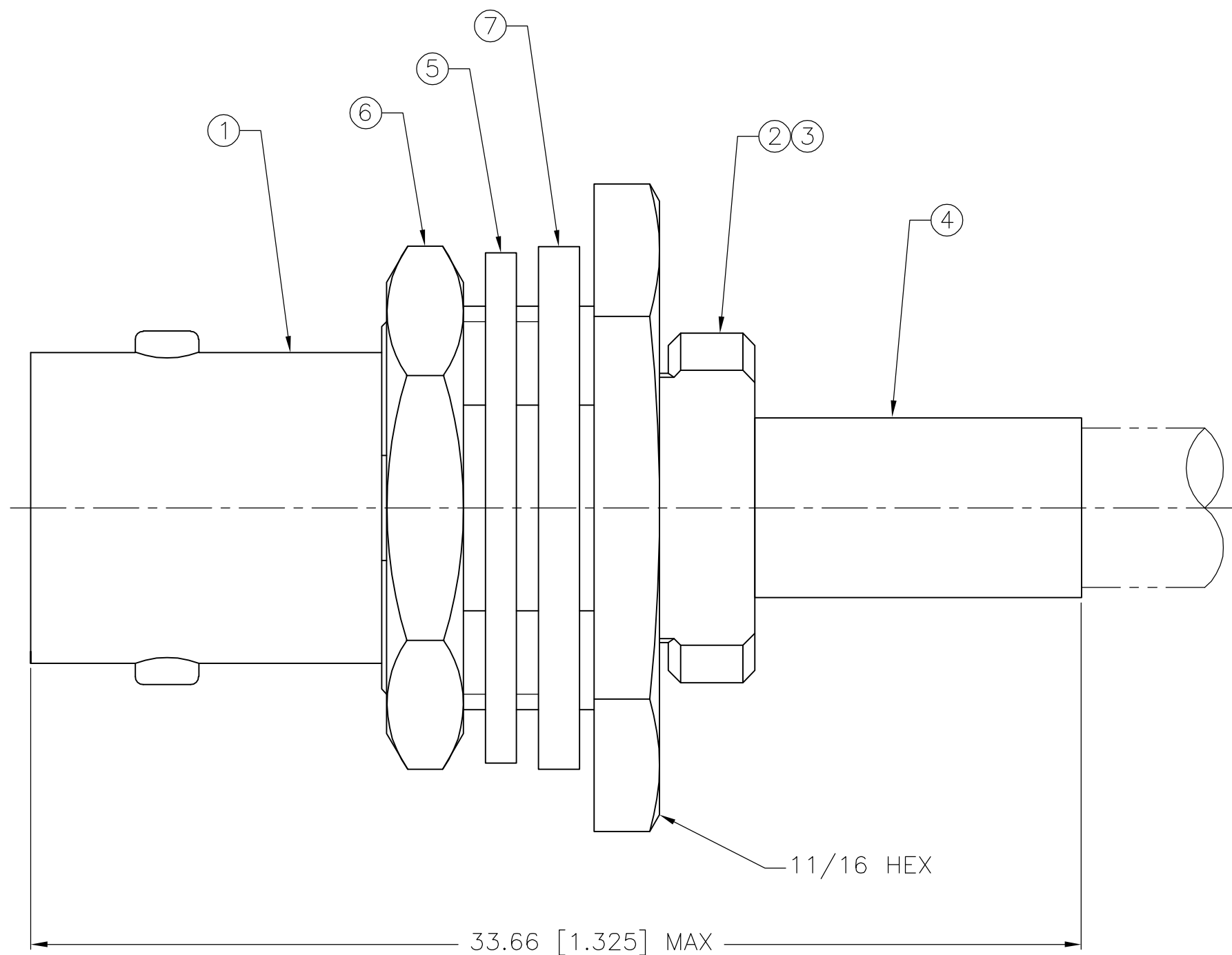


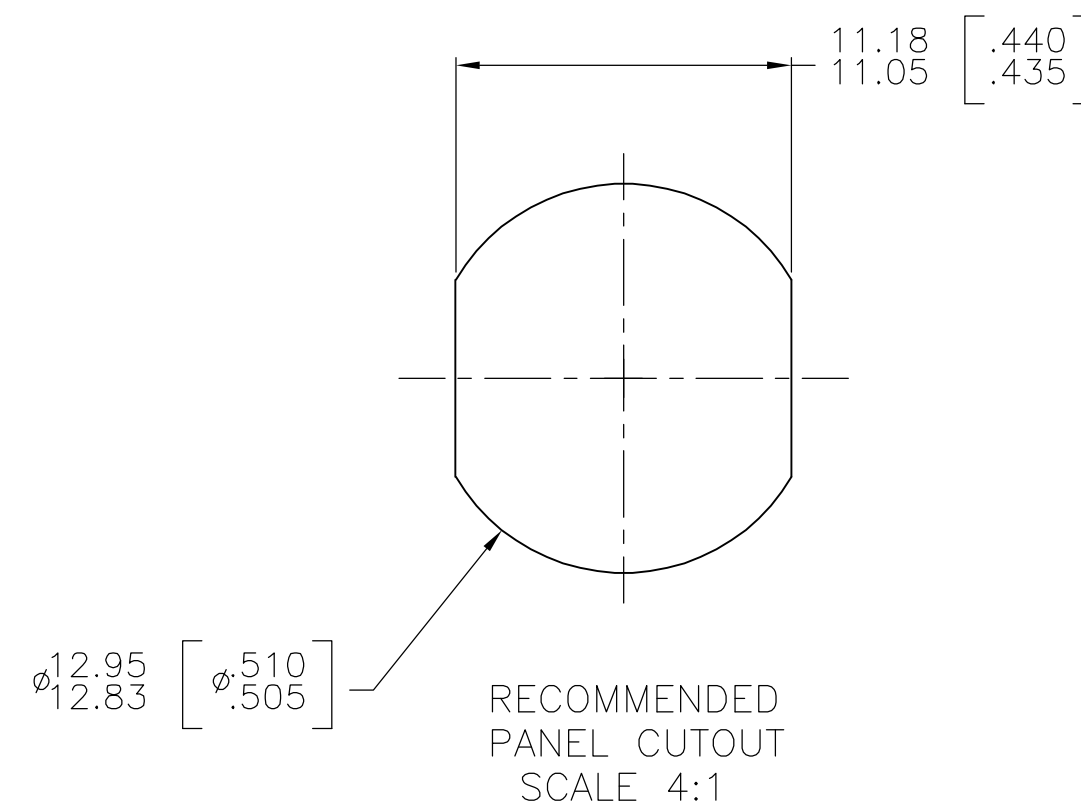
THIS DRAWING IS UNPUBLISHED. RELEASED FOR PUBLICATION  
 © COPYRIGHT BY TYCO ELECTRONICS CORPORATION. ALL RIGHTS RESERVED.

LOC	DIST	REVISIONS			
P	LTR	DESCRIPTION	DATE	DWN	APVD
AJ	16	0	RELEASED PER EC 0514-0189-05	24OCT05	BM JGH

1. USE INSTRUCTION SHEET 1799-3.
2. MAXIMUM PANEL THICKNESS = 3.18 [.125].



RECOMMENDED STRIP LENGTH SCALE 2:1



RECOMMENDED PANEL CUTOUT SCALE 4:1

RG-58/U, 58A/U, 58B/U, 58C/U	69140-1	329633	9-329631-0	9-329632-0	9-328663-0	9-50793-0	2-329106-1	9-329800-0	2-5329456-1
CABLE	CRIMP TOOL	⑦ GASKET QTY=1	⑥ JAM NUT QTY=1	⑤ LOCK WASHER QTY=1	④ FERRULE QTY=1	③ CRIMP END ASSEMBLY QTY=1	② GASKET QTY=1	① JACK ASSEMBLY, BULKHEAD QTY=1	PART NUMBER

THIS DRAWING IS A CONTROLLED DOCUMENT.		DWN B. MCMASTER 24OCT05	Tyco Electronics Corporation Harrisburg, PA 17105-3608	
DIMENSIONS: mm [INCHES]		CHK J. HAVENER 24OCT05		
TOLERANCES UNLESS OTHERWISE SPECIFIED:		APVD J. HAVENER 24OCT05	NAME JACK, BULKHEAD, BNC	
0 PLC ± - 1 PLC ± - 2 PLC ± 0.41 [.016] 3 PLC ± - 4 PLC ± - ANGLES ± - FINISH -		PRODUCT SPEC -	RESTRICTED TO -	
MATERIAL -		APPLICATION SPEC -	SIZE A2	CAGE CODE 00779
		WEIGHT -	DRAWING NO C=5329456	
		CUSTOMER DRAWING	SCALE 6:1	SHEET 1 of 1