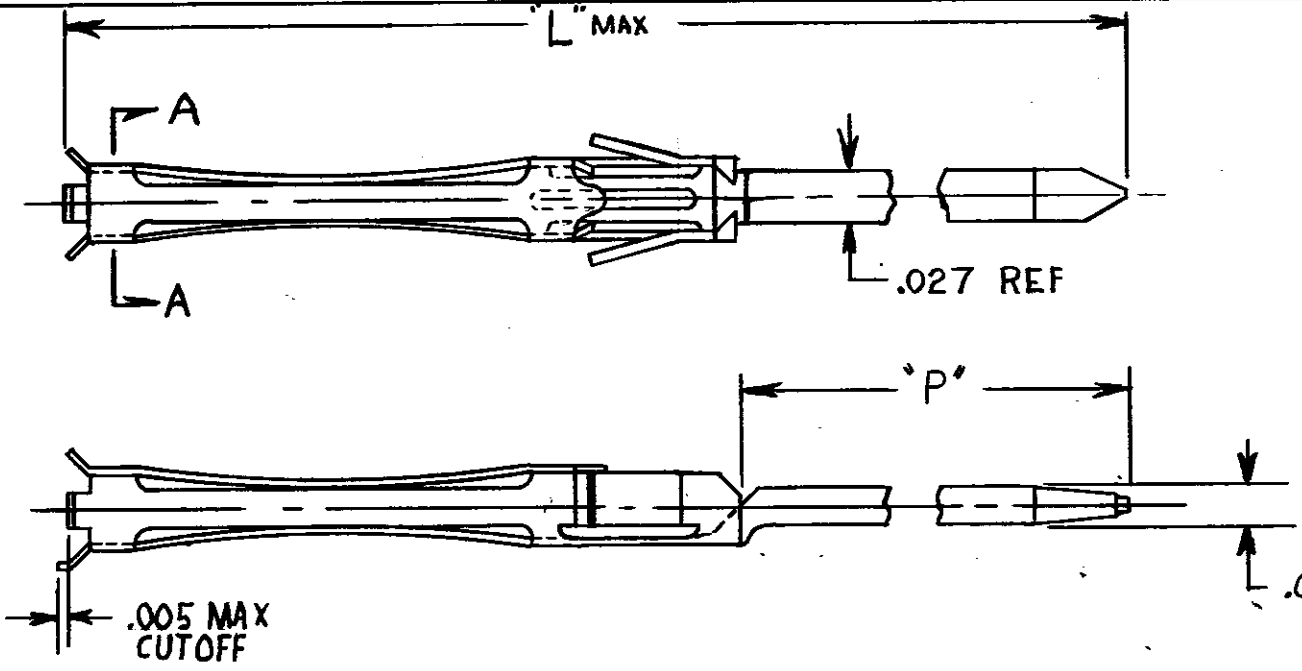


THIS DRAWING IS UNPUBLISHED. RELEASED FOR PUBLICATION, 19
 © COPYRIGHT 19 BY AMP INCORPORATED, HARRISBURG, PA. ALL INTERNATIONAL RIGHTS RESERVED. AMP PRODUCTS MAY BE COVERED BY U.S. AND FOREIGN PATENTS AND/OR PATENTS PENDING.

REVISIONS						
P	F	ZONE	LTR	DESCRIPTION	DATE	APPROVED
✓	✓		0	RELEASED	10-84	RDB



- 1. FINISH: .00003 GOLD OVER .00003 NICKEL IN CONTACT AREA, .0001 TIN-LEAD OVER NICKEL IN TAIL AREA
- 2. POST DIAGONAL, .034 MAX
- 3. FINISH: .00005 GOLD OVER .00003 NICKEL ENTIRE CONTACT
- 4. FINISH: .00003 GOLD OVER .00003 NICKEL ENTIRE CONTACT

3	1.115	.745	1-532466-8
4	1.115	.745	1- -6
3	.955	.585	1- -5
4	.955	.585	1- -3
3	.795	.425	1- -2
4	.795	.425	1- -0
1	1.115	.745	-9
1	.955	.585	-6
1	.795	.425	532466 -3
FINISH	"L"	"P"	PART NO

UNLESS OTHERWISE SPECIFIED DIMENSIONS ARE IN INCHES. TOLERANCES ON DECIMALS ± .010 ANGLES ±	CONTRACT NO	AMP AMP INCORPORATED Harrisburg, Pa.	
	DR <i>R. Br</i> 10-3-84	NAME SNAP-IN BOX CONTACT, DOUBLE LATCH	
MATERIAL BERYLIUM COPPER	CHK <i>E. McDougle</i> 10-4-84	SIZE B	FSCM NO 00779
FINISH SEE TABLE	APPD <i>E. McDougle</i> 10-4-84	DRAWING NO 532466	
	APPD <i>B. S. [unclear]</i> 10/5/84	SCALE 10-1	SHEET 1 of 1
	DSGN APPD		
	OTHER APPD		