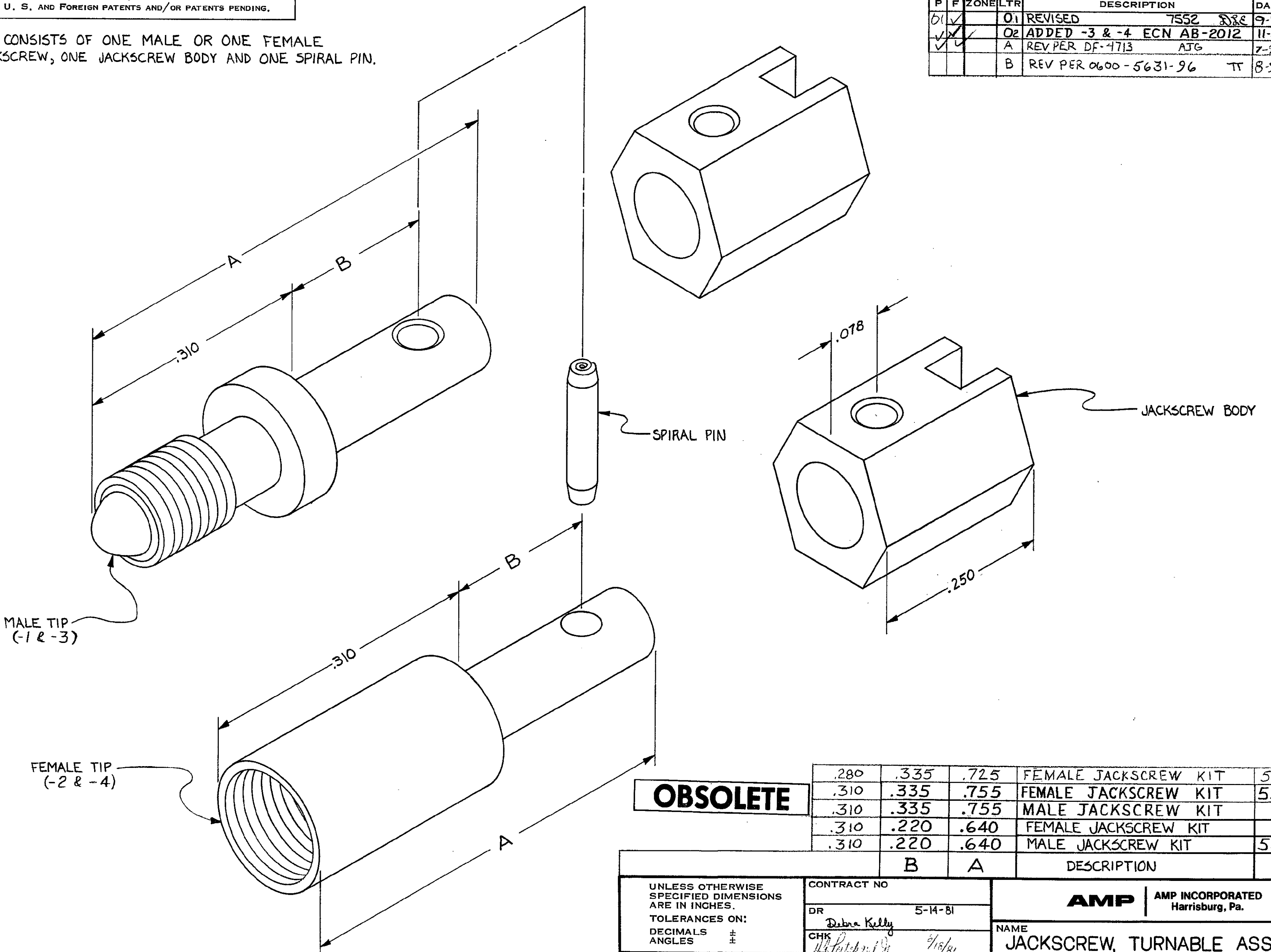


© COPYRIGHT 1981 BY AMP INCORPORATED, HARRISBURG, PA. ALL INTERNATIONAL RIGHTS RESERVED. AMP INCORPORATED PRODUCTS COVERED BY U. S. AND FOREIGN PATENTS AND/OR PATENTS PENDING.

REVISIONS						
P	F	ZONE	LTR	DESCRIPTION	DATE	APPROVED
01	✓		01	REVISED 7552 D&E	9-81	WAP
✓	✓		02	ADDED -3 & -4 ECN AB-2012	11-86	WAP EAM
✓	✓		A	REV PER DF-4713 ATG	7-91	ATG
			B	REV PER 0600-5631-96 TT	8-98	TT

1. KIT CONSISTS OF ONE MALE OR ONE FEMALE JACKSCREW, ONE JACKSCREW BODY AND ONE SPIRAL PIN.



OBSOLETE

.280	.335	.725	FEMALE JACKSCREW KIT	532021-5
.310	.335	.755	FEMALE JACKSCREW KIT	532021-4
.310	.335	.755	MALE JACKSCREW KIT	↑ -3
.310	.220	.640	FEMALE JACKSCREW KIT	↓ -2
.310	.220	.640	MALE JACKSCREW KIT	532021-1

		B	A	DESCRIPTION	PART NO
UNLESS OTHERWISE SPECIFIED DIMENSIONS ARE IN INCHES. TOLERANCES ON: DECIMALS ± ANGLES ±	CONTRACT NO	AMP AMP INCORPORATED Harrisburg, Pa.			
	DR	Debra Kelly 5-14-81			
	MATERIAL	NAME JACKSCREW, TURNABLE ASSY, FOR 3 ROW BOX RECEPTACLE CONNECTOR			
	FINISH	SIZE CODE IDENT NO DRAWING NO			
STAINLESS STEEL	OTHER APPD	C		00779	532021
PASSIVATED		SCALE		10:1	SHEET 1 of 1