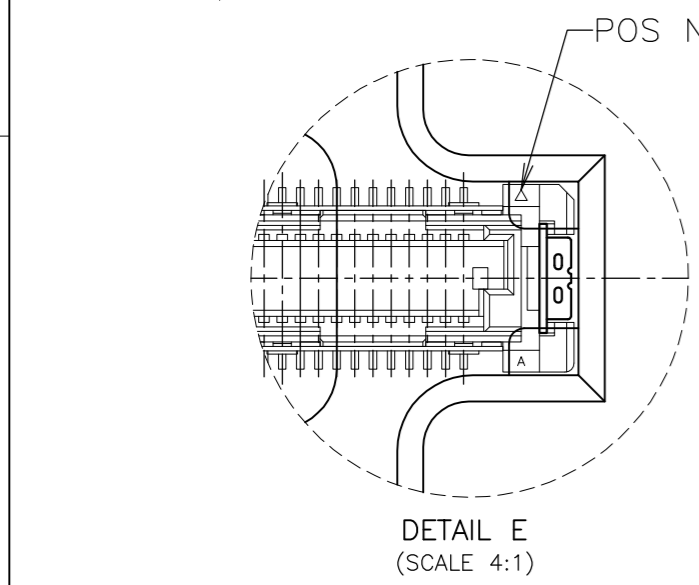
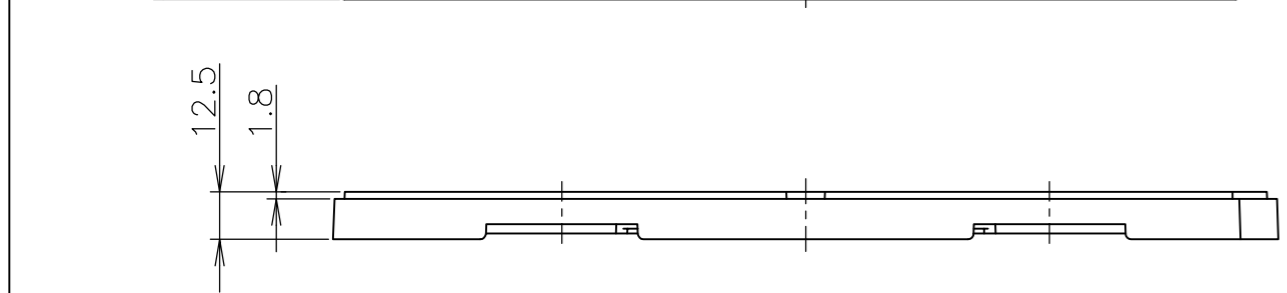
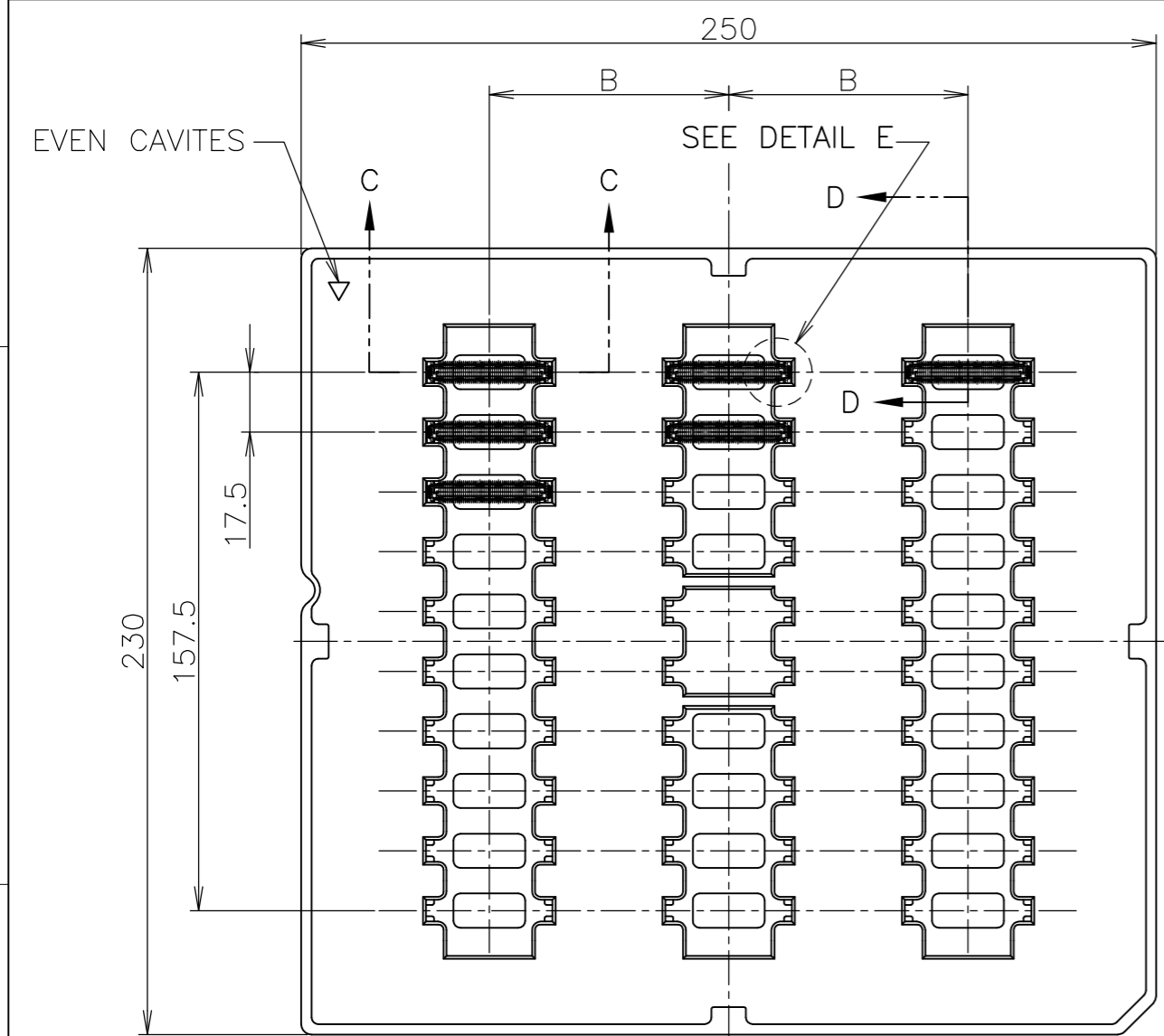


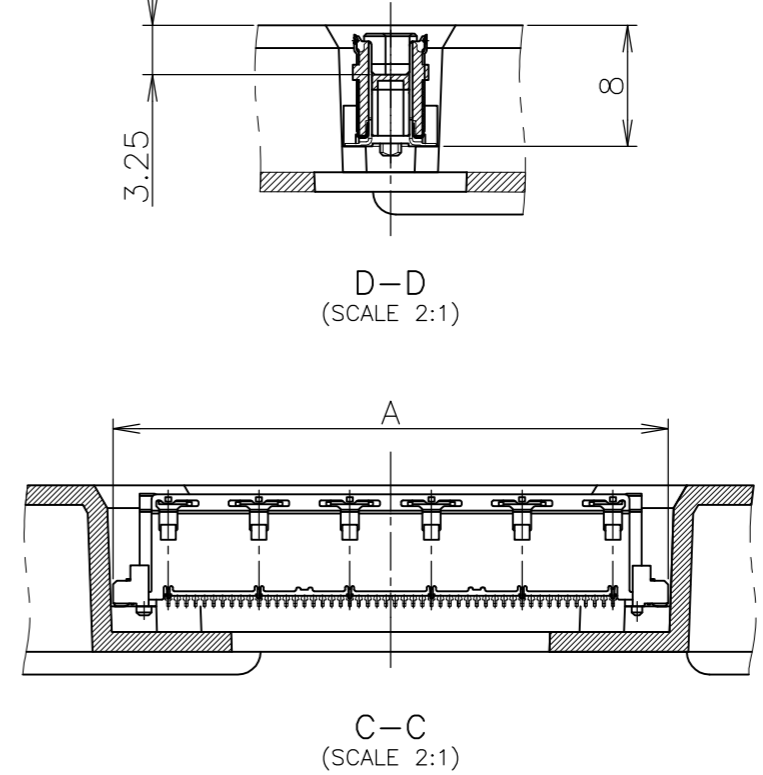
THIS DRAWING IS UNPUBLISHED. RELEASED FOR PUBLICATION , NOV 1995
 © COPYRIGHT 1995 By - ALL RIGHTS RESERVED.



GENERAL TOLERANCE
 一般公差
 10 ≥ ±0.2
 30 ≥ >10: ±0.25
 100 ≥ >30: ±0.3
 ANGLES: ±3°

THIS DRAWING IS A CONTROLLED DOCUMENT.
 DIMENSIONS: 单位: 耗 mm
 TOLERANCES UNLESS OTHERWISE SPECIFIED. 一般公差
 0 PLC ± -
 1 PLC ± -
 2 PLC ± -
 3 PLC ± -
 4 PLC ± -
 ANGLES ± -
 MATERIAL 材料
 FINISH 仕上

LOC	DIST	REVISIONS 変更		
P	LTR	DESCRIPTION	DATE	APVD
	B	REVISED ECR-13-007649	07MAY2013	S.T S.Y
	C	REVISED PER ECO-17-002393	27MAY17	B.J S.Y
	C1	REVISED PER ECO-17-015469	13OCT17	R.L S.Y



NON-SEALANT	AVAILABLE	3	30	70	48.7	140	8-912063-3	6-5316316-0
	NOT AVAILABLE				54.7	160	4-912068-2	1-5316316-1
①	AVAILABLE				48.7	140	8-912063-3	1- -0
	NOT AVAILABLE				42.7	120	4-912068-1	-9
					36.7	100	4- -0	-8
		3	30	70	33.7	90	3- -9	-7
		5	50	43	30.7	80	3- -8	-6
					27.7	70	3- -7	-5
					24.7	60	3- -6	-4
					21.7	50	3- -5	-3
					18.7	40	3- -4	-2
	NOT AVAILABLE	5	50	43	15.7	30	3-912068-3	5316316-1
SEALANT	TOOLING STATUS	ROW	QTY	B	A	POS.	TRAY P/N	PART NO.

STE TE Connectivity

HARD TRAY ASSY
 FH 0.6BTB CONNECTOR
 PLUG 8H W/G-PLATE

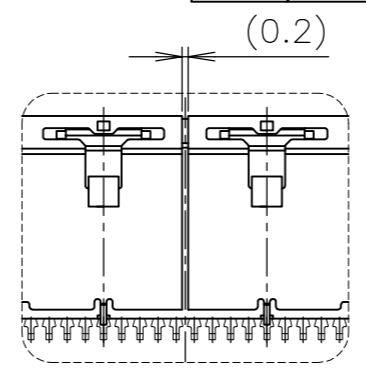
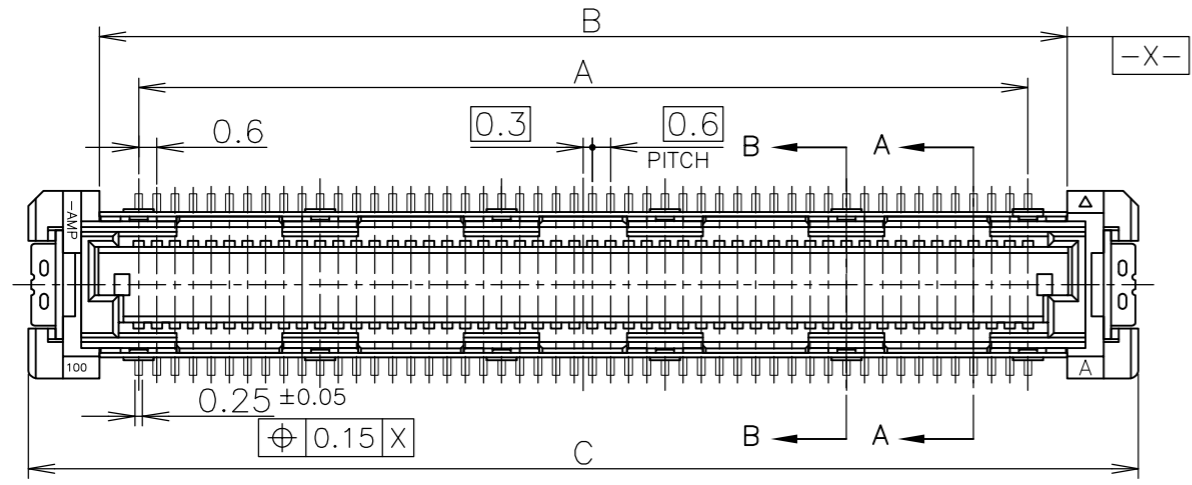
DWN HAWKING HE 20DEC04
 CHK STEVEN YAO 20DEC04
 APVD I.ENOMOTO 20DEC04
 PRODUCT SPEC 製品規格 108-60047
 APPLICATION SPEC 取付適用規格 114-5255

NAME 名称
 SIZE A3 CAGE CODE 00779 DRAWING NO. 番号 C-5316316 RESTRICTED TO

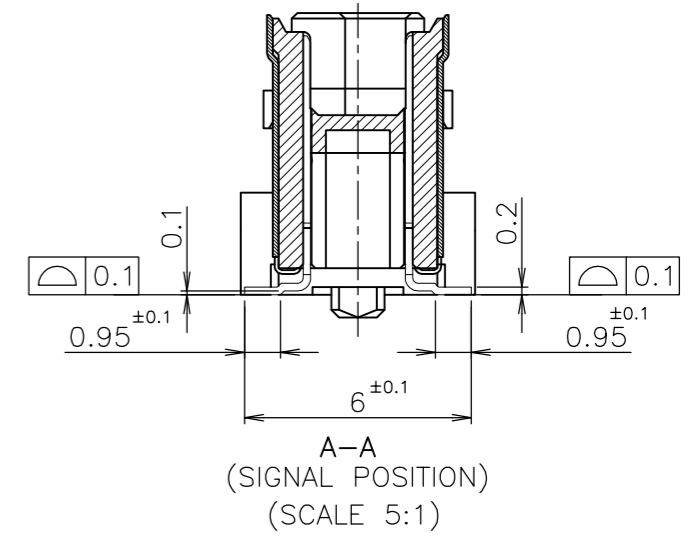
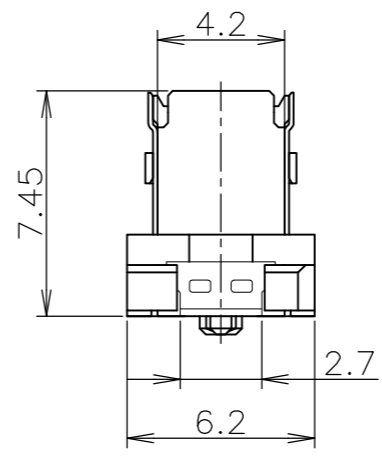
WEIGHT
 CUSTOMER DRAWING SCALE 尺度 1:2 SHEET 1 OF 3 REV C1

THIS DRAWING IS UNPUBLISHED. RELEASED FOR PUBLICATION NOV 1995
 © COPYRIGHT 1995 By - ALL RIGHTS RESERVED.

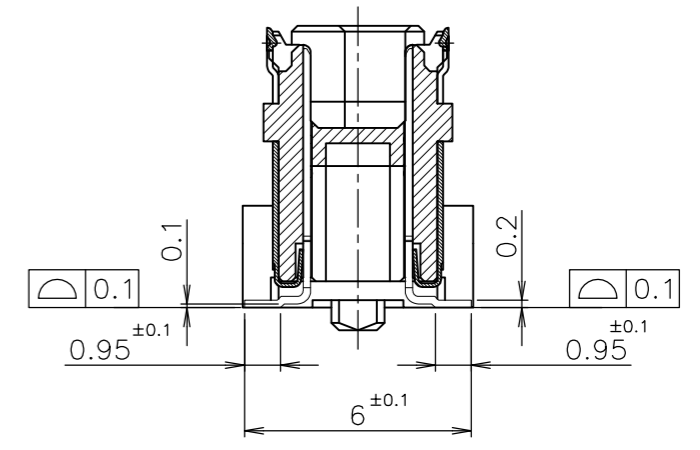
LOC		DIST		REVISIONS			DATE	DWN	APVD
J				変更					
P	LTR	DESCRIPTION							
	-	SEE SHEET 1							



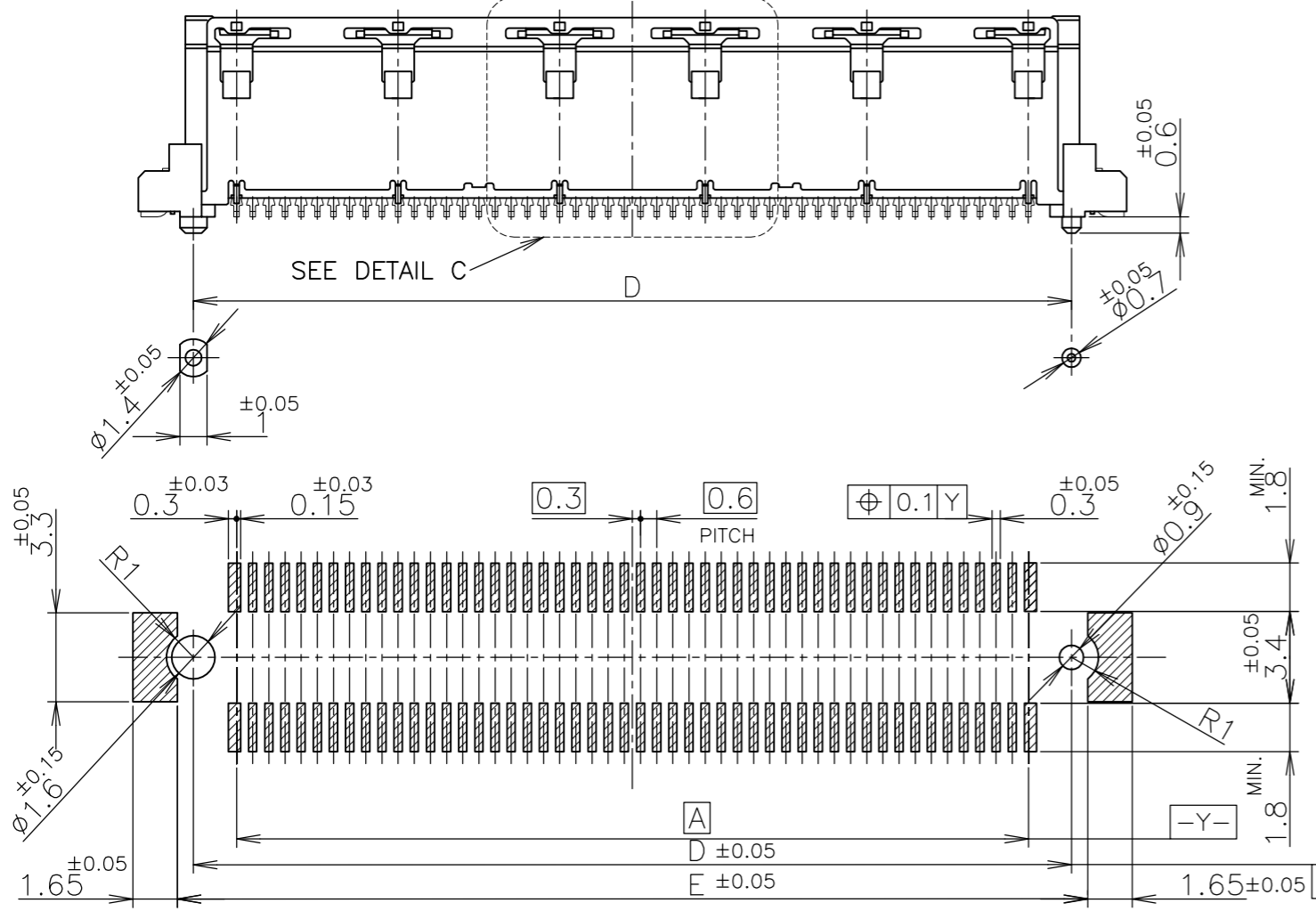
DETAIL C
180P~240P ONLY



A-A
(SIGNAL POSITION)
(SCALE 5:1)



B-B
(GROUND POSITION)
(SCALE 5:1)



AVAILABLE	51.8	50.6	54.7	50	47.4	160
AVAILABLE	45.8	44.6	48.7	44	41.4	140
NOT AVAILABLE	39.8	38.6	42.7	38	35.4	120
	33.8	32.6	36.7	32	29.4	100
	30.8	29.6	33.7	29	26.4	90
	27.8	26.6	30.7	26	23.4	80
	24.8	23.6	27.7	23	20.4	70
	21.8	20.6	24.7	20	17.4	60
	19.8	17.6	21.7	17	14.4	50
	15.8	14.6	18.7	14	11.4	40
NOT AVAILABLE	12.8	11.6	15.7	11	8.4	30
TOOLING STATUS	E	D	C	B	A	POS

REFERENCE P.C.BOARD LAYOUT

GENERAL TOLERANCE
一般公差

10 ≥ ±0.2
30 ≥ >10: ±0.25
100 ≥ >30: ±0.3
ANGLES: ±3°

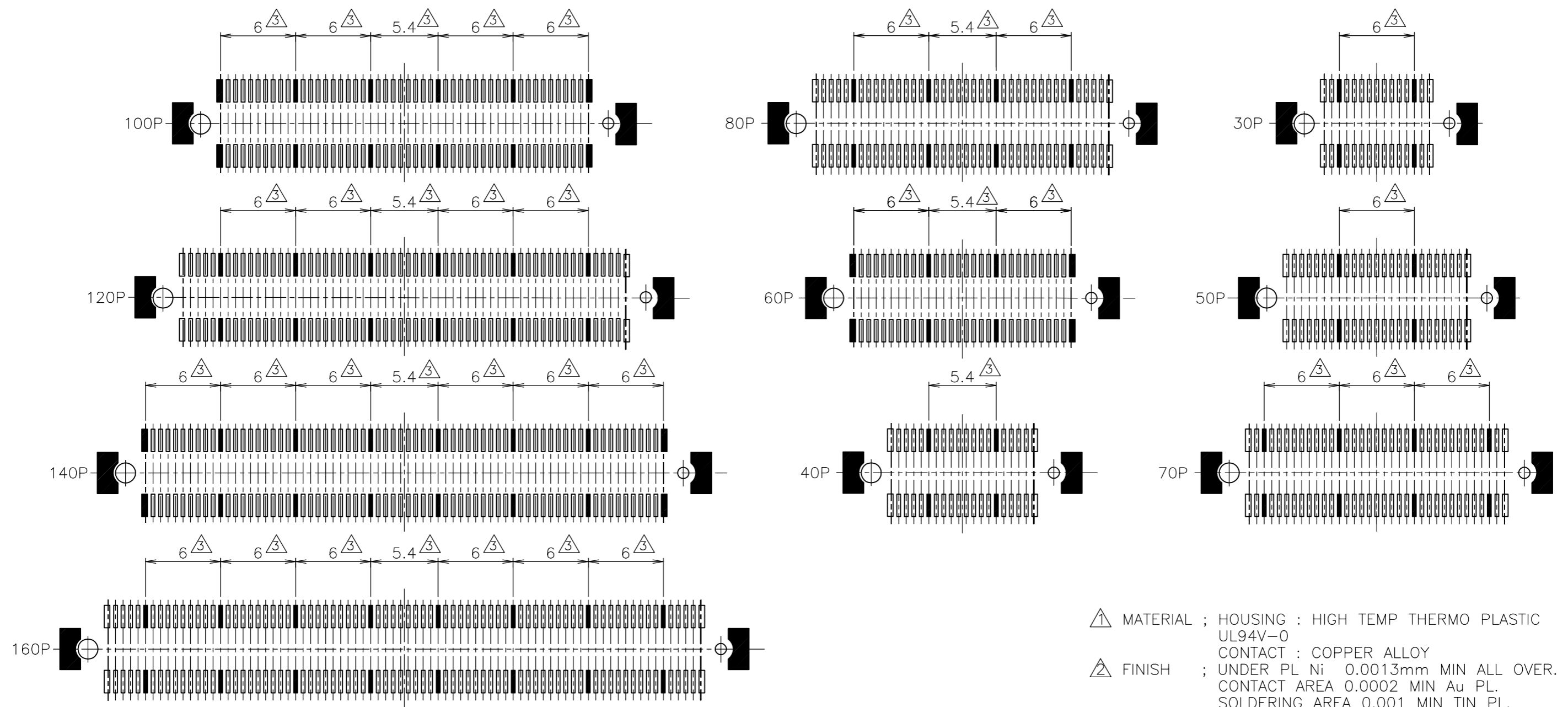
THIS DRAWING IS A CONTROLLED DOCUMENT.

DIMENSIONS: 単位: 耗 mm	TOLERANCES UNLESS OTHERWISE SPECIFIED: 一般公差
0 PLC ± -	1 PLC ± -
2 PLC ± -	3 PLC ± -
4 PLC ± -	ANGLES ± -
MATERIAL 材料	FINISH 仕上
1	2

DWN	CHK	APVD	PRODUCT SPEC 製品規格	APPLICATION SPEC 取付適用規格	WEIGHT	TE Connectivity	
NAME 名称						HARD TRAY ASSY FH 0.6BTB CONNECTOR PLUG 8H W/G-PLATE	
SIZE	CAGE CODE	DRAWING NO 番号	RESTRICTED TO				
A3	00779	G-5316316					
CUSTOMER DRAWING				SCALE 尺度	SHEET	REV	
				4:1	2 OF 3	C1	

THIS DRAWING IS UNPUBLISHED. RELEASED FOR PUBLICATION , NOV 1995
 © COPYRIGHT 1995 By - ALL RIGHTS RESERVED.

LOC	DIST	REVISIONS		
J		P	LTR	DESCRIPTION
		-		SEE SHEET 1
			DATE	DWN
			-	-
			APVD	-



△ MATERIAL ; HOUSING : HIGH TEMP THERMO PLASTIC UL94V-0
 CONTACT : COPPER ALLOY
 △ FINISH ; UNDER PL Ni 0.0013mm MIN ALL OVER.
 CONTACT AREA 0.0002 MIN Au PL.
 SOLDERING AREA 0.001 MIN TIN PL.
 △ THIS POSITION IS GROUND CIRCUIT.

GENERAL TOLERANCE
 一般公差
 10 ≥ : ±0.2
 30 ≥ : >10: ±0.25
 100 ≥ : >30: ±0.3
 ANGLES: ±3°

THIS DRAWING IS A CONTROLLED DOCUMENT.		DWN	STE TE Connectivity		
DIMENSIONS: 单位: 耗 mm		CHK			
TOLERANCES UNLESS OTHERWISE SPECIFIED. 一般公差		APVD	NAME 名称		
0 PLC ± - 1 PLC ± - 2 PLC ± - 3 PLC ± - 4 PLC ± - ANGLES ± -		PRODUCT SPEC 製品規格	HARD TRAY ASSY FH 0.6BTB CONNECTOR PLUG 8H W/G-PLATE		
MATERIAL 材料		APPLICATION SPEC 取付適用規格	SIZE	CAGE CODE	DRAWING NO 番号
FINISH 仕上		WEIGHT	A3	00779	G-5316316
△ 1		CUSTOMER DRAWING		RESTRICTED TO	
△ 2		SCALE 尺度	3:1	SHEET 3 of 3	REV C1