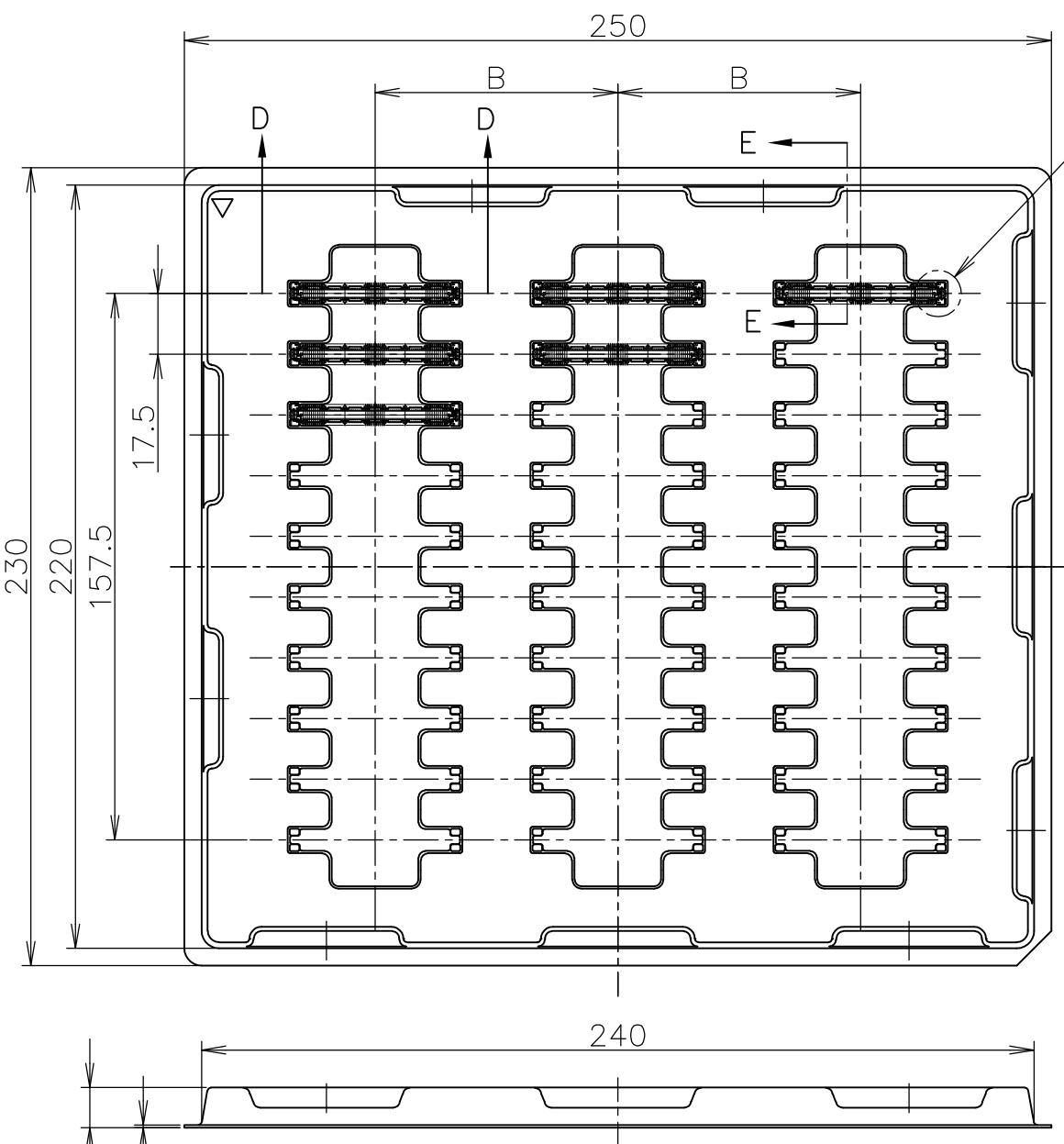


THIS DRAWING IS UNPUBLISHED. RELEASED FOR PUBLICATION MAY, 1995.

© COPYRIGHT 1995 BY TYCO ELECTRONICS CORPORATION. ALL RIGHTS RESERVED.

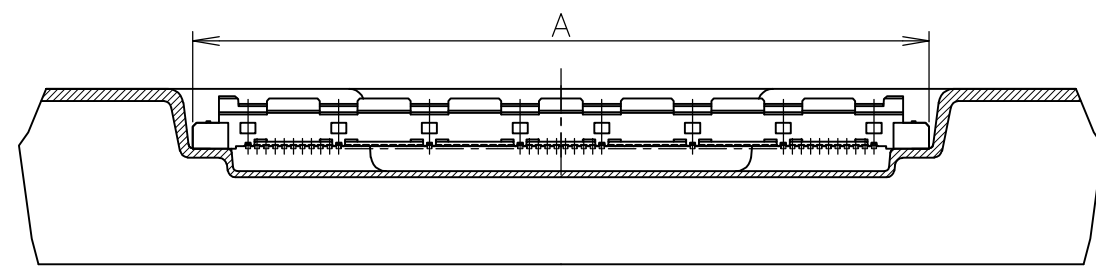
LOC	DIST	REVISIONS					
J		P	LTR	DESCRIPTION	DATE	DWN	APVD
			A	REVISED ECR-08-000339	01FEB08	T.T	T.F
			B	REVISED PER ECO-17-002393	27MAY17	B.J	S.Y

AS SHOWN: TYPE-1

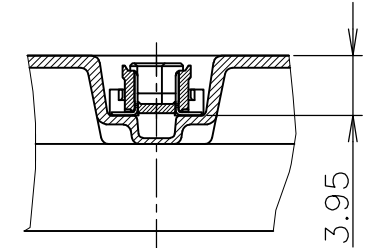
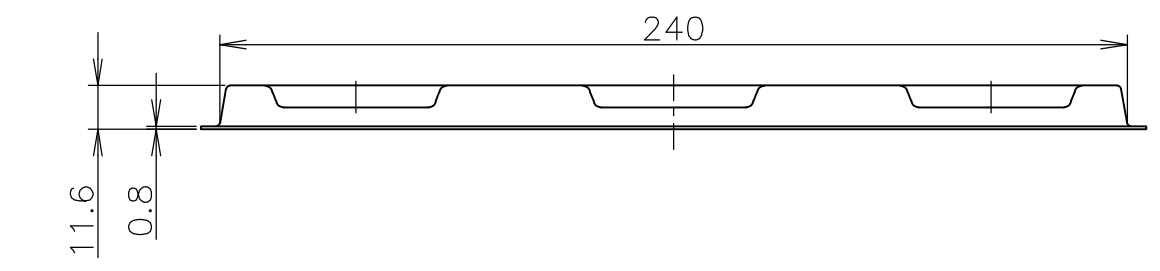
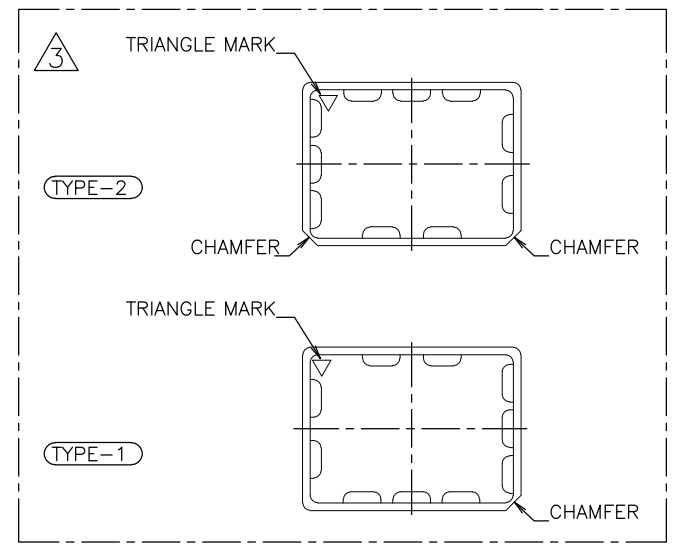


DETAIL C

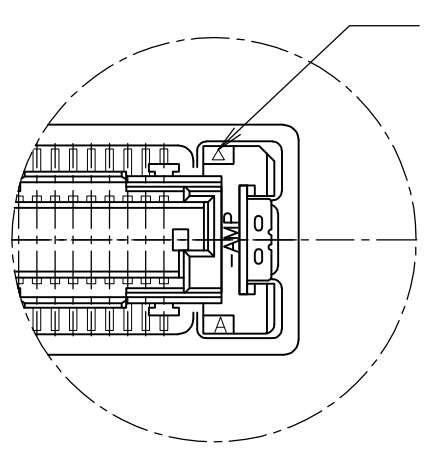
⚠ TRAY TYPE-1 AND TYPE-2 MUST BE PILED UP BY TURNS. (REFER TO PACKING SPECIFICATIONS)



D-D (SCALE 2:1)



E-E (SCALE 2:1)



DETAIL C (SCALE 4:1)

POSITION NO.1

	SEALANT	TOOLING STATUS	ROW	QTY	B	A	POS.	TRAY P/N	PART NO.
	↑	NOT AVAILABLE	3	30	70	54.7	160	912063-9	6-5316135-1
	↑	↑	↑	↑	↑	48.7	140	912063-8	6- - -0
	↑	↑	↑	↑	↑	42.7	120	4-912065-9	5- - -9
	↑	↑	↑	↑	↑	36.7	100	8-912066-2	5- - -8
	↑	↑	↑	↑	↑	33.7	90	9-912066-6	5- - -7
	↑	↑	↑	↑	↑	30.7	80	912067-3	5- - -6
	↑	↑	↑	↑	↑	27.7	70	912063-1	5- - -5
	↑	↑	↑	↑	↑	24.7	60	9-912066-5	5- - -4
	↑	↑	↑	↑	↑	21.7	50	9-912062-9	5- - -3
	↑	↑	↑	↑	↑	18.7	40	9-912066-4	5- - -2
	↓	NOT AVAILABLE	5	50	43	15.7	30	9-912066-3	5-5316135-1
	↓	↑	↑	↑	↑	54.7	160	912063-9	1-5316135-1
	↓	↑	↑	↑	↑	48.7	140	912063-8	1- - -0
	↓	↑	↑	↑	↑	42.7	120	4-912065-9	- - -9
	↓	↑	↑	↑	↑	36.7	100	8-912066-2	- - -8
	↓	↑	↑	↑	↑	33.7	90	9-912066-6	- - -7
	↓	↑	↑	↑	↑	30.7	80	912067-3	- - -6
	↓	↑	↑	↑	↑	27.7	70	912063-1	- - -5
	↓	↑	↑	↑	↑	24.7	60	9-912066-5	- - -4
	↓	↑	↑	↑	↑	21.7	50	9-912062-9	- - -3
	↓	↑	↑	↑	↑	18.7	40	9-912066-4	- - -2
	↓	↑	↑	↑	↑	15.7	30	9-912066-3	- - -1
	↓	↑	↑	↑	↑	15.7	30	9-912066-3	5316135-1

THIS DRAWING IS A CONTROLLED DOCUMENT.

DWN HAWKING HE 21DEC04
 CHK STEVEN YAO 21DEC04
 APVD I.ENOMOTO 21DEC04

Tyco Electronics Tyco Electronics Corporation
Kawasaki, Japan

NAME 姓名
I.ENOMOTO
PRODUCT SPEC 製品規格
108-60047
APPLICATION SPEC 取付適用規格
114-5255

SIZE A3 CAGE CODE 00779 DRAWING NO 番号 G-5316135 RESTRICTED TO

MATERIAL 材料 FINISH 仕上 WEIGHT CUSTOMER DRAWING SCALE 尺度 1:2 SHEET 1 OF 2 REV B

4

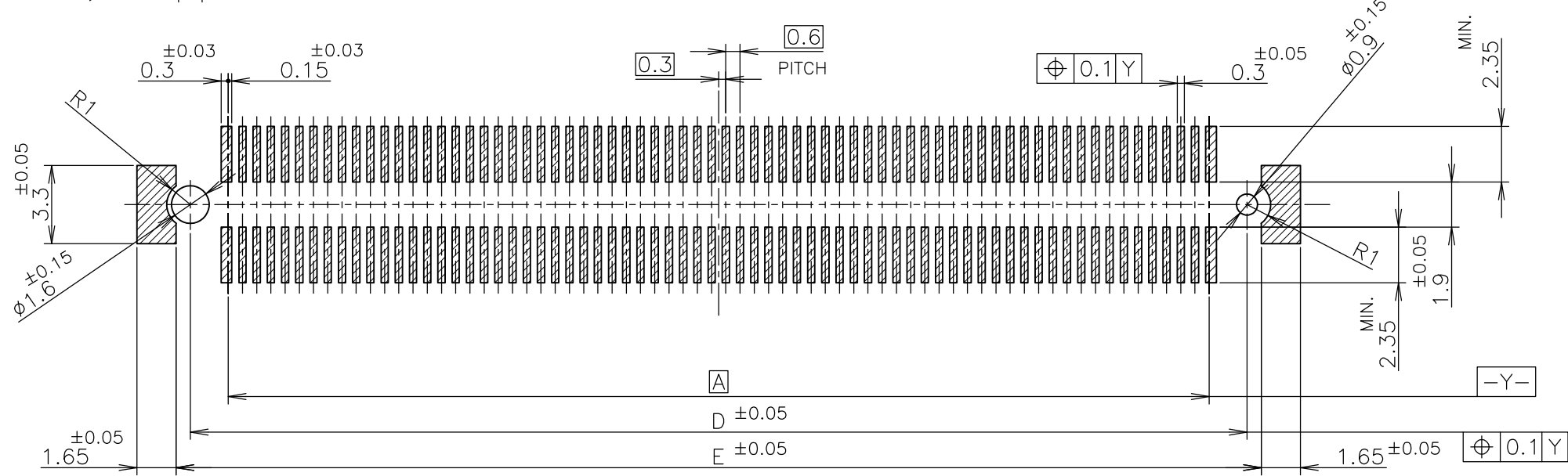
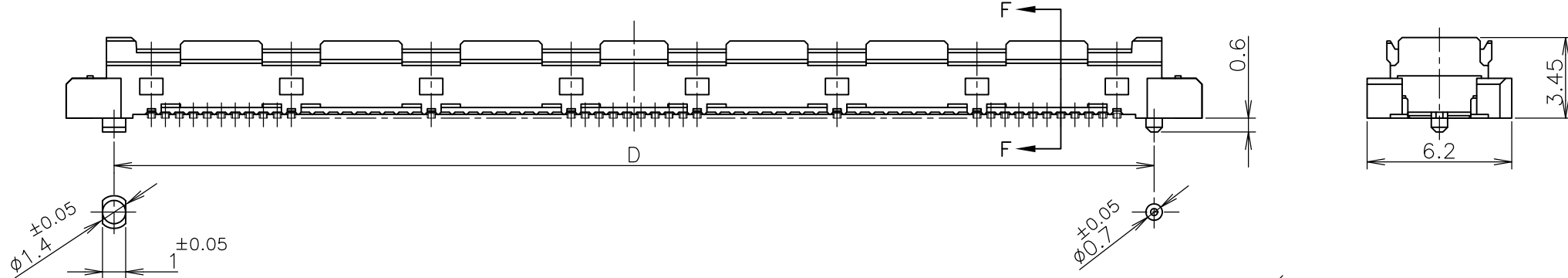
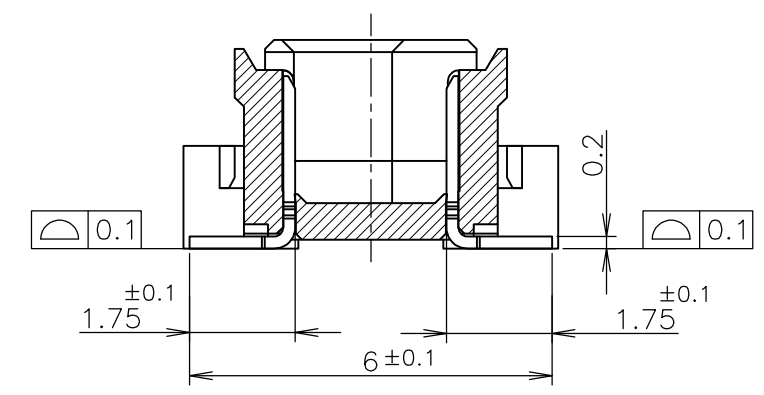
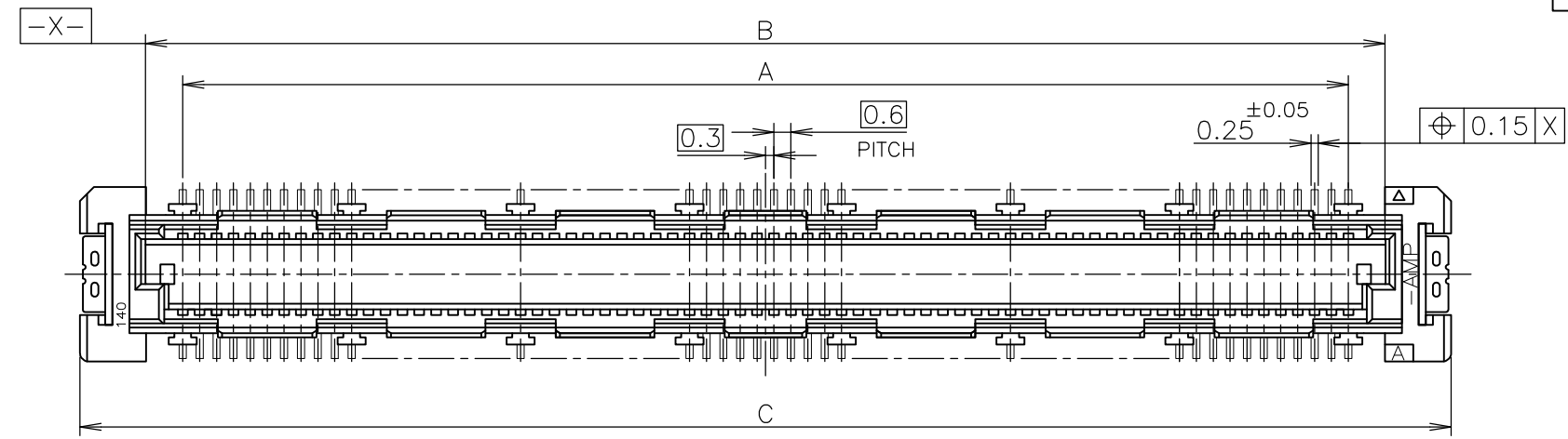
3

2

1

THIS DRAWING IS UNPUBLISHED. RELEASED FOR PUBLICATION MAY, 1995.
 © COPYRIGHT 1995 BY TYCO ELECTRONICS CORPORATION. ALL RIGHTS RESERVED.

LOC	DIST	REVISIONS					
J		P	LTR	DESCRIPTION	DATE	DWN	APVD
		-		SEE SHEET 1	-	-	-



△ MATERIAL ; HOUSING : HIGH TEMP THERMO PLASTIC
 UL94V-0
 CONTACT : COPPER ALLOY
 △ FINISH ; UNDER PL Ni 0.0013mm MIN ALL OVER.
 CONTACTING AREA 0.0002 MIN Au PL.
 SOLDERING AREA 0.001 MIN TIN PL.

REFERENCE P.C.BOARD LAYOUT

AVAILABLE	51.8	50.6	54.7	50	47.4	160
AVAILABLE	45.8	44.6	48.7	44	41.4	140
NOT AVAILABLE	39.8	38.6	42.7	38	35.4	120
AVAILABLE	33.8	32.6	36.7	32	29.4	100
NOT AVAILABLE	30.8	29.6	33.7	29	26.4	90
NOT AVAILABLE	27.8	26.6	30.7	26	23.4	80
AVAILABLE	24.8	23.6	27.7	23	20.4	70
AVAILABLE	21.8	20.6	24.7	20	17.4	60
AVAILABLE	18.8	17.6	21.7	17	14.4	50
NOT AVAILABLE	15.8	14.6	18.7	14	11.4	40
NOT AVAILABLE	12.8	11.6	15.7	11	8.4	30
TOOLING STATUS	E	D	C	B	A	POS

THIS DRAWING IS A CONTROLLED DOCUMENT.		DWN		Tyco Electronics Corporation	
DIMENSIONS: 単位: 耗 mm		CHK		Tyco Electronics Corporation	
TOLERANCES UNLESS OTHERWISE SPECIFIED: 一般公差		APVD		Kawasaki, Japan	
0 PLC ± 0.3		PRODUCT SPEC 製品規格		NAME 名称	
1 PLC ± 0.3		APPLICATION SPEC 取付適用規格		SOFT TRAY ASSY	
2 PLC ± 0.3		WEIGHT		FH 0.6BTB CONNECTOR	
3 PLC ± 0.3		SIZE		PLUG 4H STD	
4 PLC ± 0.3		CAGE CODE		DRAWING NO	
ANGLES ± 3'		A3 00779		G-5316135	
FINISH 仕上		RESTRICTED TO		SCALE 尺度 4:1	
△ 1		CUSTOMER DRAWING		SHEET 2 OF 2	
△ 2		REV B			