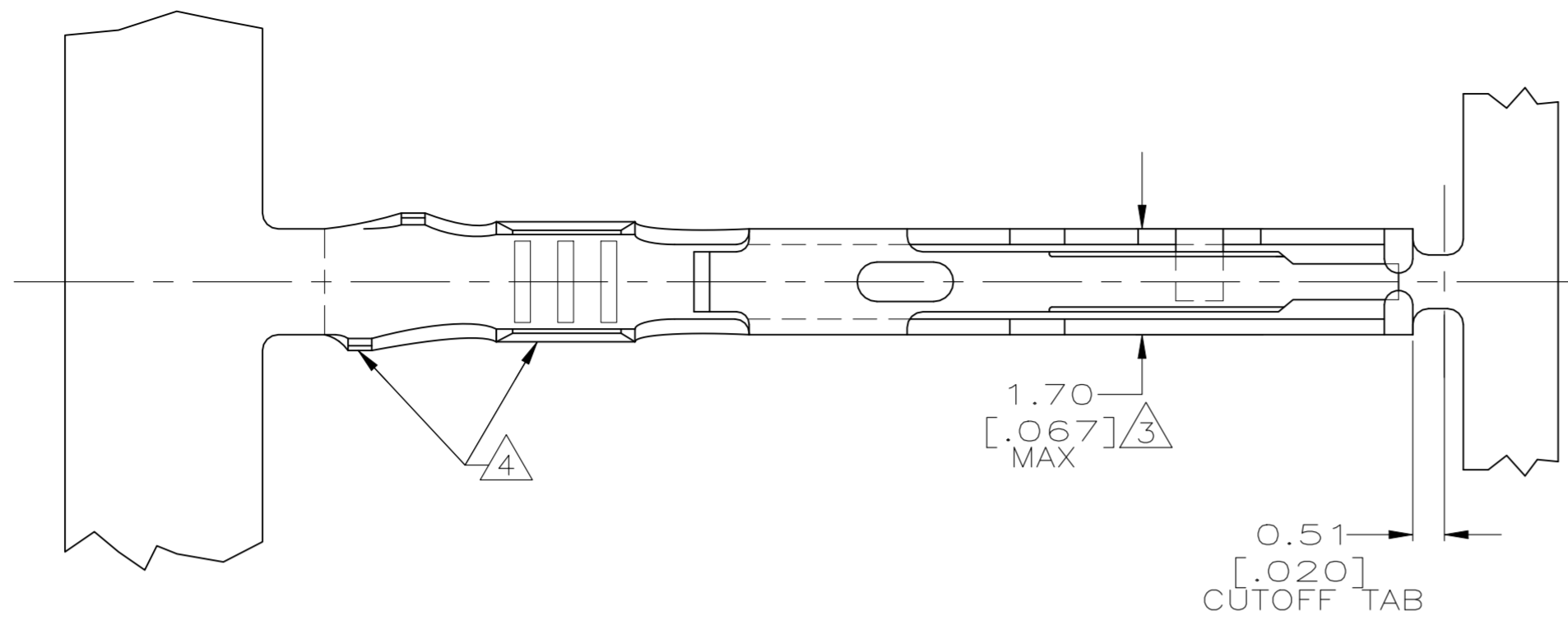
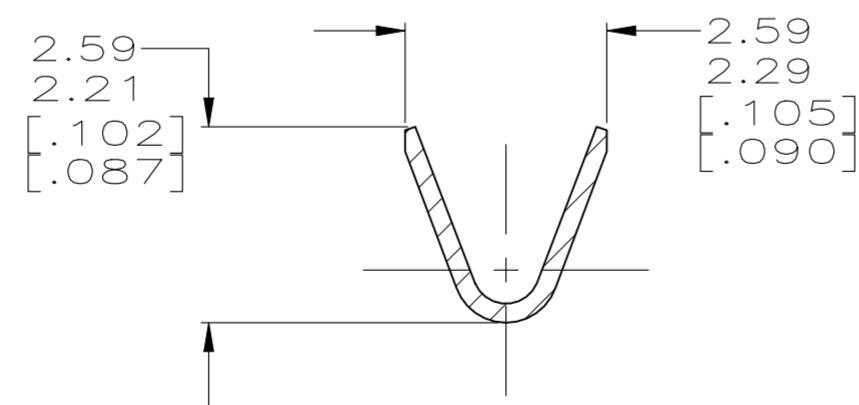
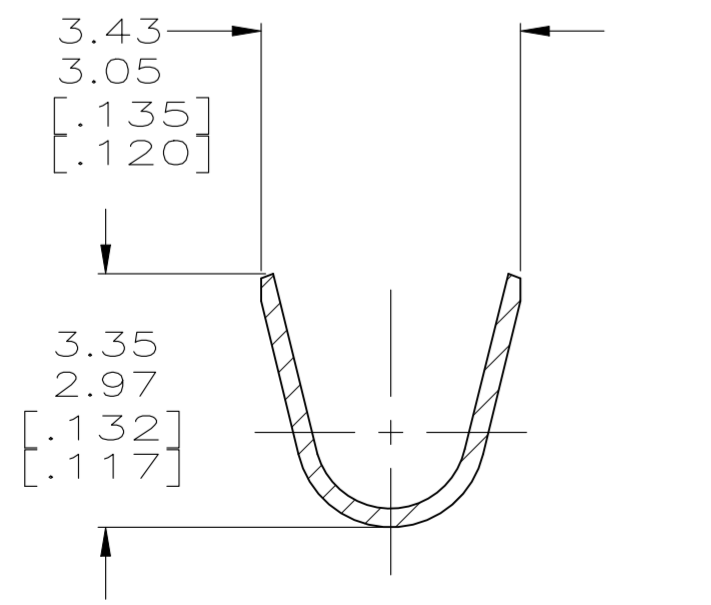
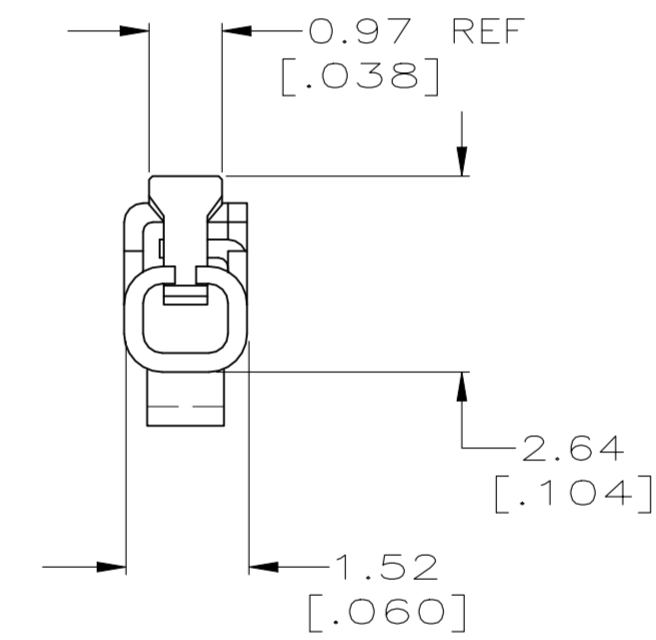
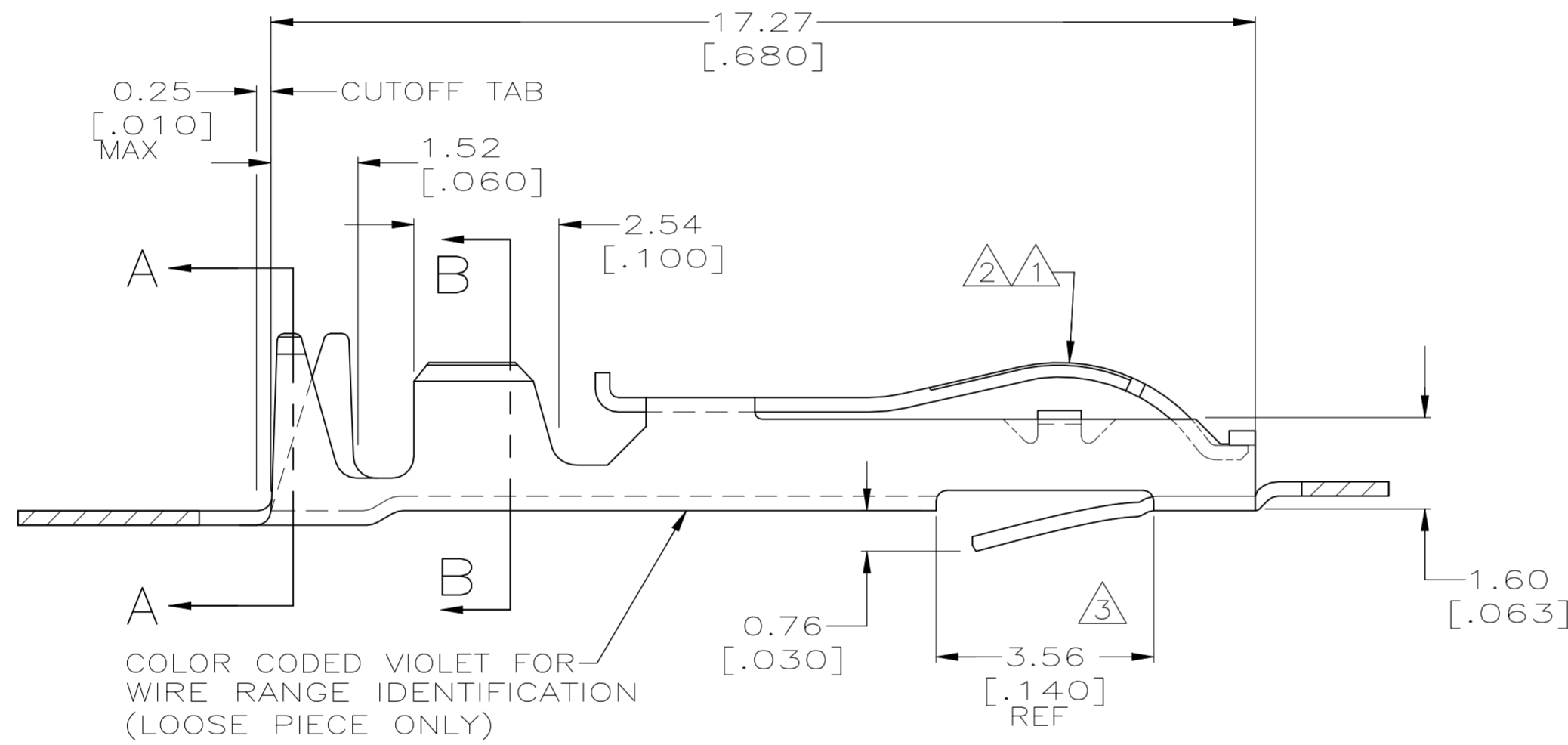


| REVISIONS | | | | | |
|-----------|-----|---------------------------|-----------|-----|------|
| P | LTR | DESCRIPTION | DATE | DWN | APVD |
| N1 | | REVISED PER ECR-23-188321 | 16NOV2023 | RK | MF |



- 1 .000030 GOLD OVER .000030 NICKEL IN CONTACT AREA.
- 2 .000015 GOLD OVER .000030 NICKEL IN CONTACT AREA.
- 3 .067 MAX ALLOWED IN LOCKING POSITION AREA FOR .140 REF LENGTH.
- 4 TIN-LEAD IN CRIMP AREA.
- 5 OBSOLETE
- 6 MATTE TIN IN CRIMP AREA.



SECTION B-B
WIRE RANGE
#22-#18 AWG

SECTION A-A
INSULATION RANGE
.095-.045 DIA

| | | |
|--------|-------------|-------------|
| 1 6 | 531478-5 | 5-531478-4 |
| 1 4 | 531478-5 | 5 531478-4 |
| 2 4 | 531478-3 | 5 531478-2 |
| FINISH | LOOSE PIECE | PART NUMBER |

| | | | | |
|--|--|---------------------------|--|-----------------|
| THIS DRAWING IS A CONTROLLED DOCUMENT. | | DWN 8-2-93 A. STAUB BG | TE Connectivity | |
| DIMENSIONS: mm [INCHES] | | CHK 2/8/94 H ROSE | CONTACT, NON-BIFURCATED CRIMP TWIN LEAF | |
| TOLERANCES UNLESS OTHERWISE SPECIFIED: | | APVD - | NAME | |
| 0 PLC ± - | | PRODUCT SPEC - | APPLICATION SPEC - | |
| 1 PLC ± - | | WEIGHT - | SIZE A2 | CAGE CODE 00779 |
| 2 PLC ± - | | FINISH SEE TABLE | DRAWING NO C=531478 | RESTRICTED TO - |
| 3 PLC ± .005 | | CUSTOMER DRAWING | | |
| 4 PLC ± - | | SCALE 10:1 | SHEET 1 OF 1 | REV N1 |
| ANGLES ± - | | | | |