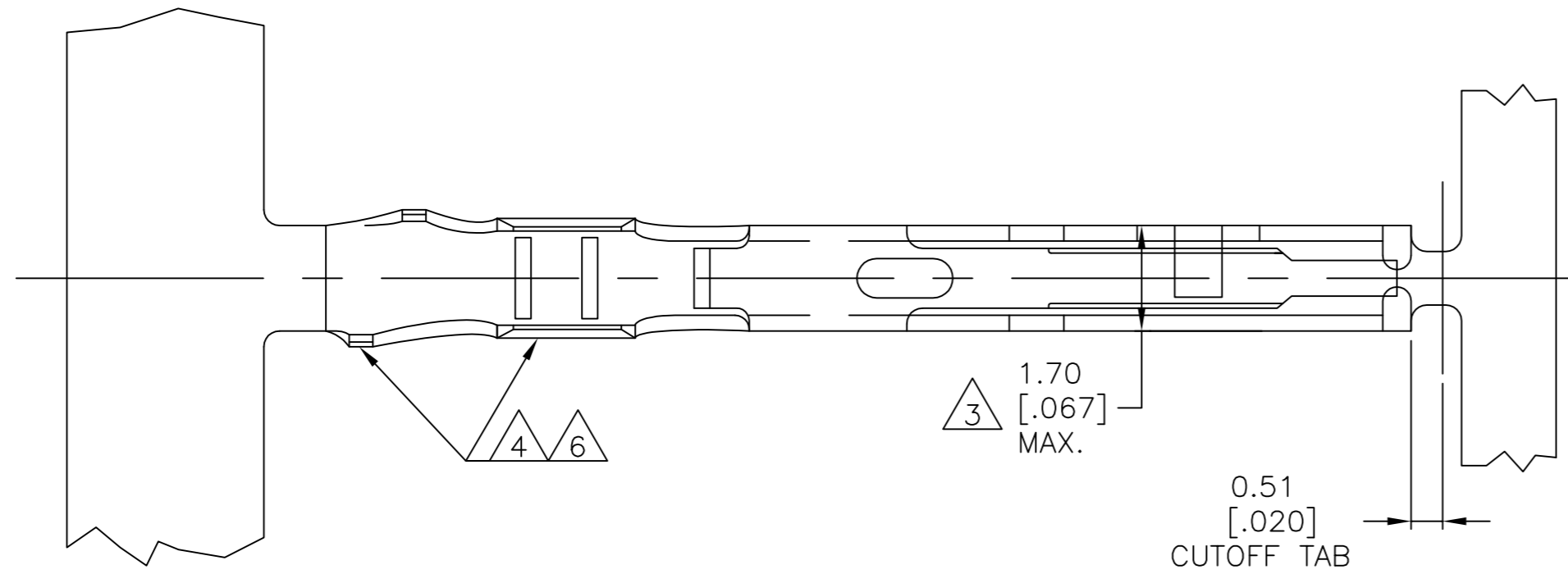
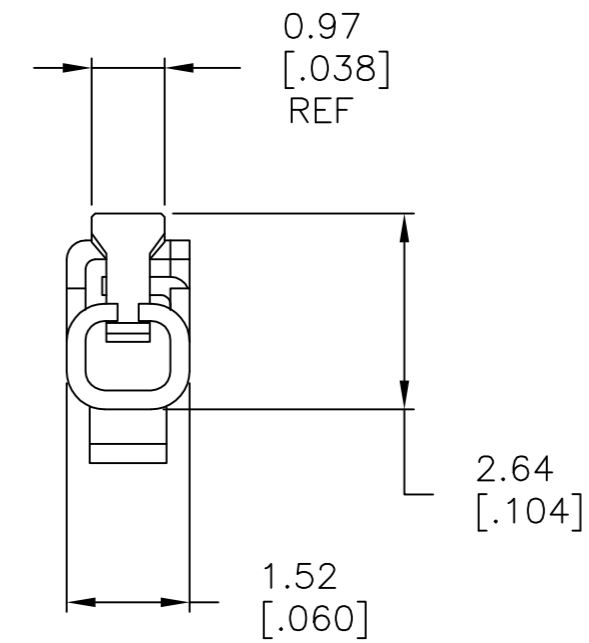
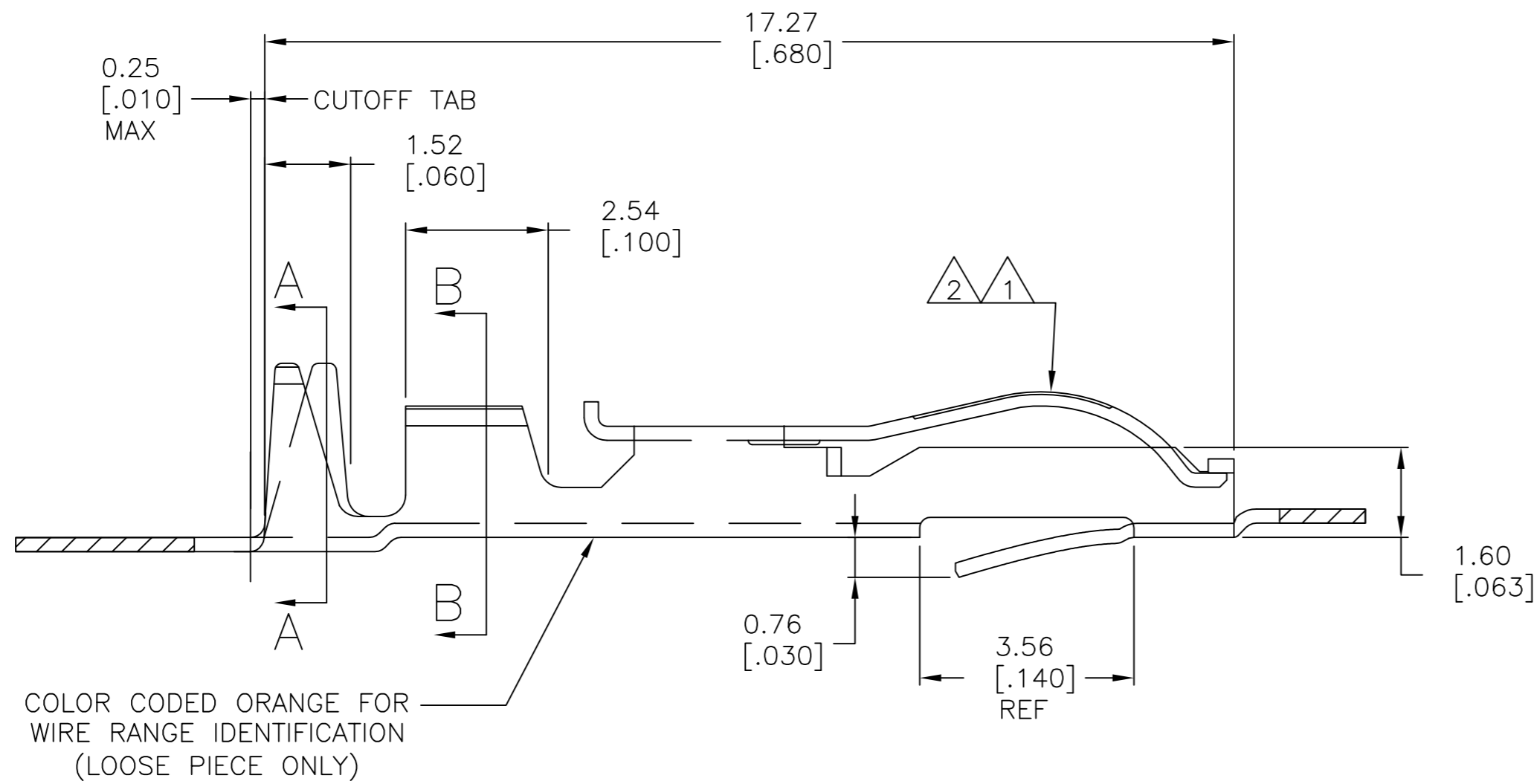


THIS DRAWING IS UNPUBLISHED. RELEASED FOR PUBLICATION
 © COPYRIGHT - TE Connectivity ALL RIGHTS RESERVED.

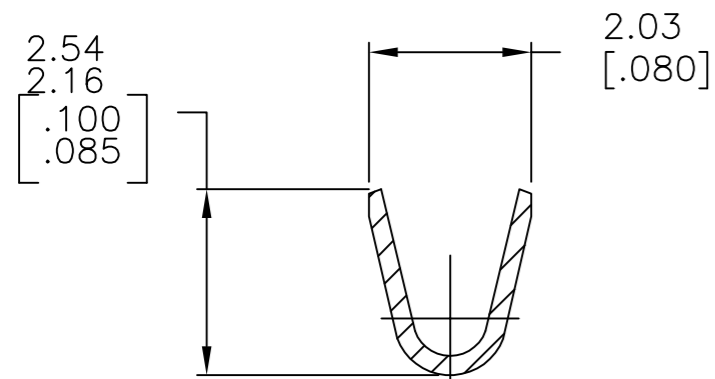
REVISIONS					
P	LTR	DESCRIPTION	DATE	DWN	APVD
	L	ECO 05 003616	05APR06	BSV	MM
	L1	REVISED PER ECO-09-021510	10SEP09	KK	AEG
	M	REVISED PER ECO-17-013729	26DEC2017	RS	MM



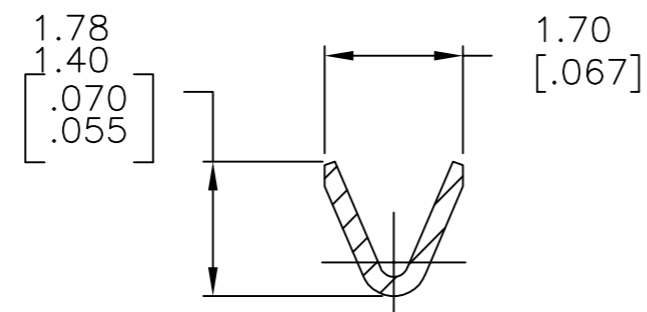
- △1 .000030 GOLD OVER .000030 NICKEL IN CONTACT AREA.
- △2 .000015 GOLD OVER .000030 NICKEL IN CONTACT AREA.
- △3 .067 MAX ALLOWED IN LOCKING POSITION AREA FOR .140 REF LENGTH.
- △4 TIN-LEAD IN CRIMP AREA.
- △5 OBSOLETE.
- △6 MATTE TIN PLATE IN CRIMP AREA.
- △7 OBSOLETE PARTS: OBSOLETE CIS STREAMLINING PER D.RENAUD/D.SINISI



OBSOLETE



SECTION A-A
INSULATION RANGE
.035-.055 DIA



SECTION B-B
WIRE RANGE
#28-#24

	△1 △6	△7 -5-531476-5	5-531476-4
	△1 △4	△7 -531476-5-	531476-4
OBSOLETE	△2 △4	△5 531476-3	531476-2
	FINISH	LOOSE PIECE	PART NUMBER

THIS DRAWING IS A CONTROLLED DOCUMENT.		DWN A. STAUB BG 02AUG93	TE Connectivity	
DIMENSIONS: mm [INCHES]		CHK H ROSE 08FEB94	NAME CONTACT, NON-BIFURCATED CRIMP TWIN LEAF	
TOLERANCES UNLESS OTHERWISE SPECIFIED:		APVD H ROSE 08FEB94	SIZE A2	
0 PLC ± -		PRODUCT SPEC	CAGE CODE 00779	DRAWING NO C=531476
1 PLC ± -		APPLICATION SPEC	RESTRICTED TO	
2 PLC ± -			SCALE 10:1	SHEET 1 of 1
3 PLC ± -		WEIGHT -	REV M	
4 PLC ± -		CUSTOMER DRAWING		
ANGLES ± -				
FINISH SEE TABLE				