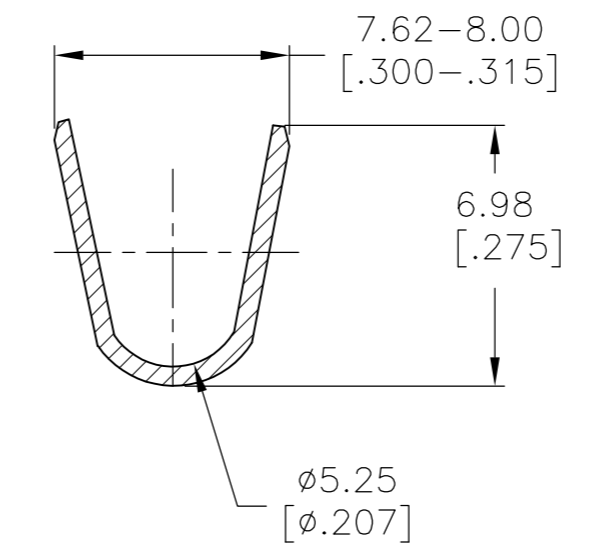
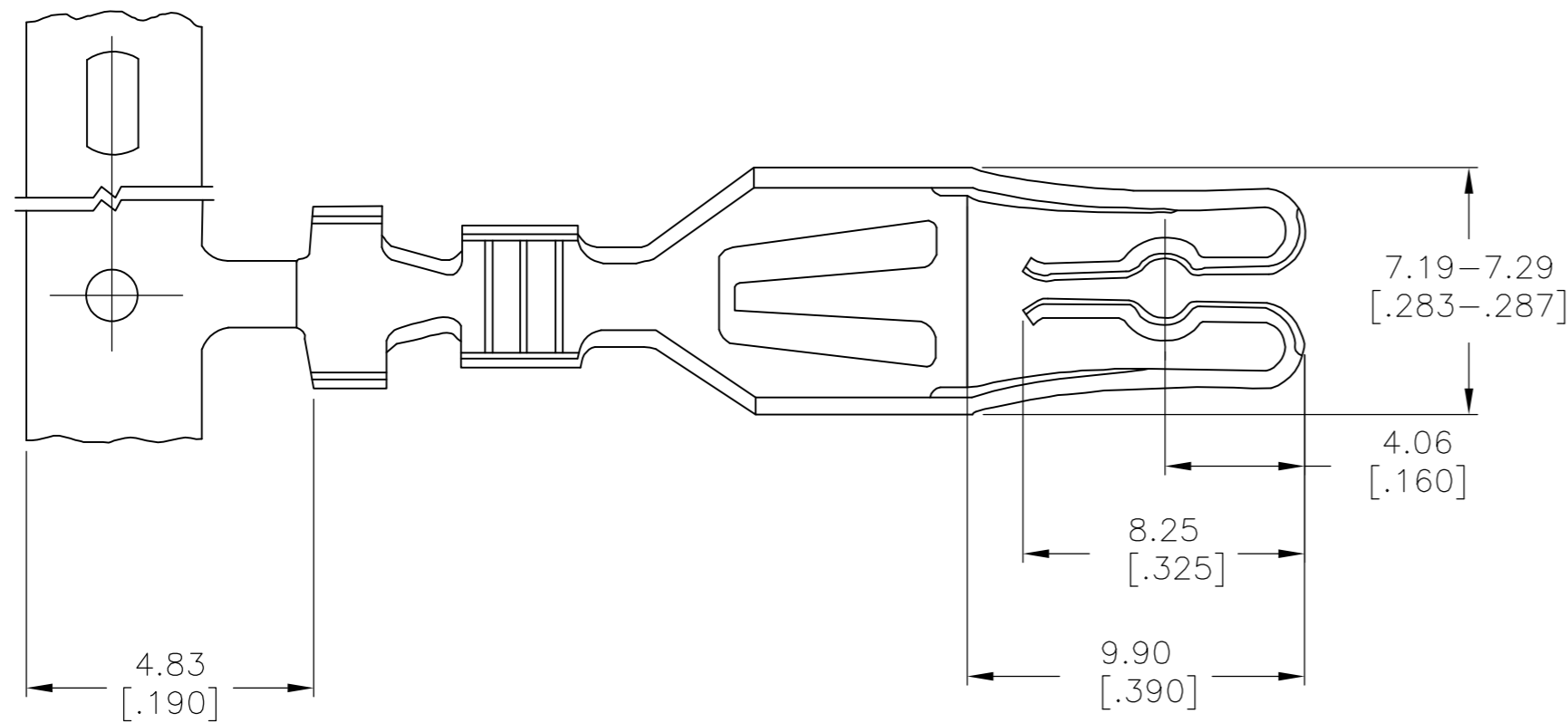
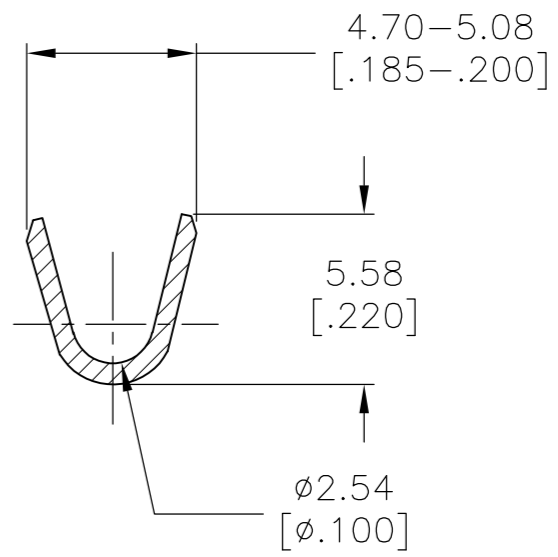


THIS DRAWING IS UNPUBLISHED. RELEASED FOR PUBLICATION
 © COPYRIGHT - By - ALL RIGHTS RESERVED.

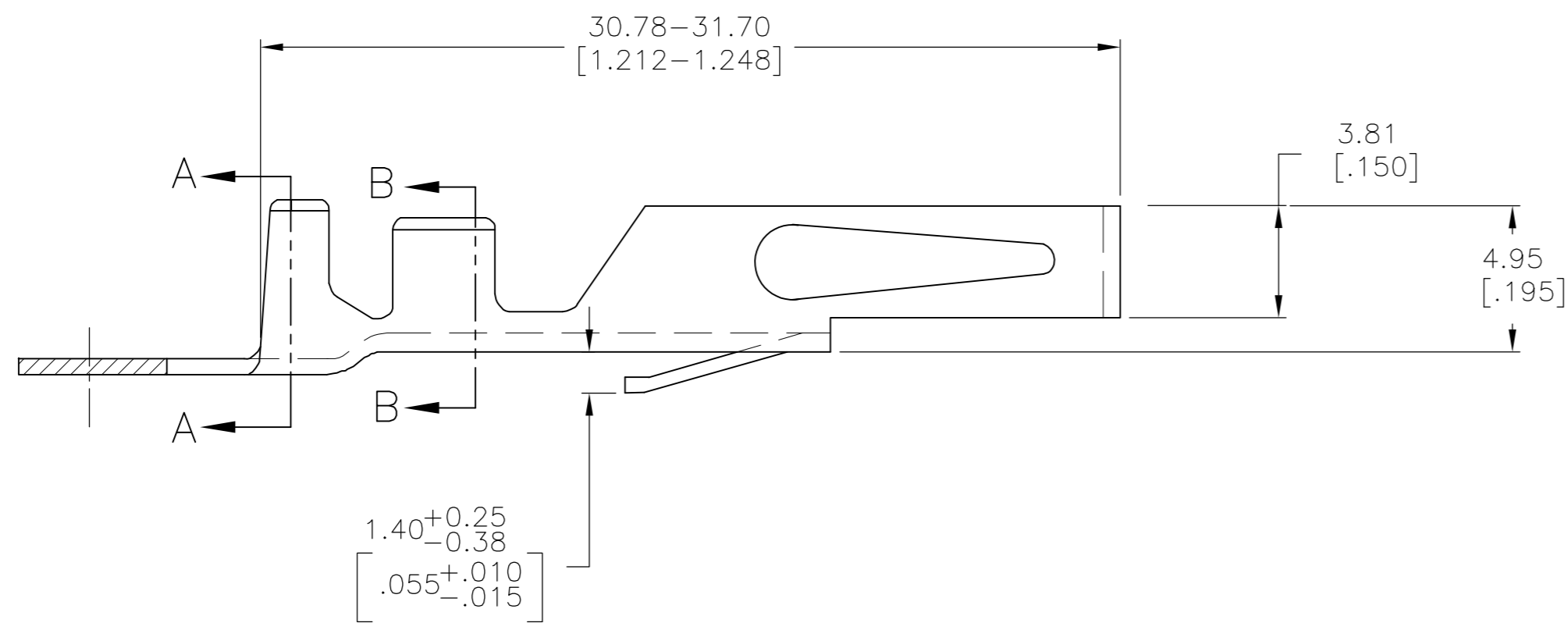
REVISIONS					
P	LTR	DESCRIPTION	DATE	DWN	APVD
J		REVISED PER ECO-16-006308	08AUG2016	NK	MM



INSULATION 4.06-5.33
 RANGE [.160-.210]
 SECTION, A-A



WIRE RANGE 10-12
 SECTION, B-B



- 1 0.0038[.000150] BRIGHT TIN OVER 0.00076[.000030] NICKEL.
- 2 SILVER PLATE 0.0038[.000150] MIN THK ALL OVER.
- 3 0.0038[.000150] MATTE TIN OVER 0.00076[.000030] NICKEL.

3	5-530519-2
2	530519-3
1	530519-2
FINISH	PART NO

THIS DRAWING IS A CONTROLLED DOCUMENT.		DWN	15 MAY 75	TE TE Connectivity	
		CHK	15 MAY 75		
DIMENSIONS: mm [INCHES]		APVD	16 MAY 75	NAME	
TOLERANCES UNLESS OTHERWISE SPECIFIED:		PRODUCT SPEC		CONTACT HIGH CURRENT STRIP 10-12 AWG	
0 PLC ± -		APPLICATION SPEC		SIZE	CAGE CODE
1 PLC ± -		WEIGHT		A2	00779
2 PLC ± -		CUSTOMER DRAWING		DRAWING NO	530519
3 PLC ± .005		SCALE		5:1	SHEET
4 PLC ± -		SHEET		1 of 1	REV
ANGLES ± -		REV		J	
FINISH		RESTRICTED TO		-	
ALLOY CDA-194		FINISH		1 2 3	