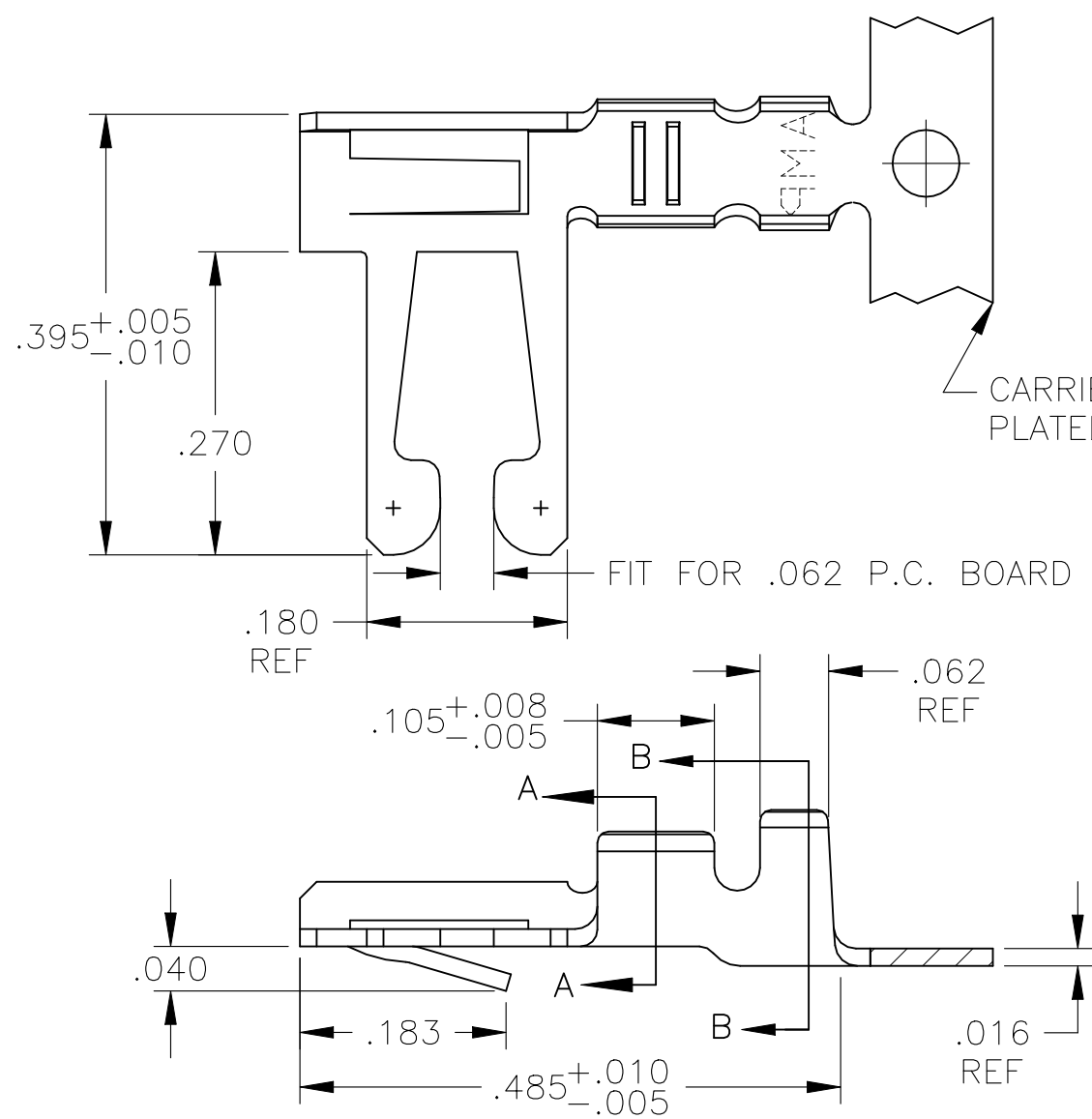
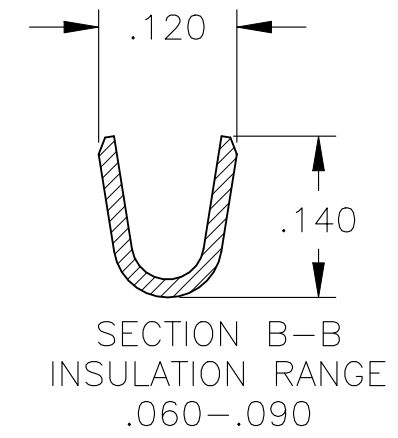
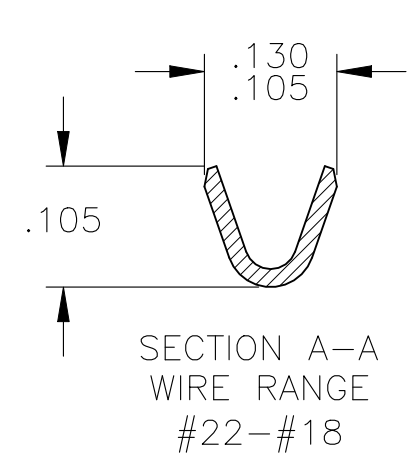


REVISIONS				
P	LTR	DESCRIPTION	DATE	APVD
	H2	ECN-22-171534	30AUG2022	RK JO



- REFER TO CUSTOMER 582370 SERIES AND CUSTOMER 582380 SERIES FOR HOUSING AND P.C. BOARD REQUIREMENTS
- .000015 GOLD OVER .000050 NICKEL IN CONTACT AREA. REMAINDER OF CONTACT .000050 NICKEL.
- .000030 GOLD OVER .000050 NICKEL IN CONTACT AREA. .000050 NICKEL ON REMAINDER OF CONTACT.
- L-R FEED FOR MINI-APPL.
- OBSOLETE PARTS: OBSOLETE CIS STREAMLINING PER D.RENAUD/D.SINISI



5	OBSOLETE	MATTE TIN	4	5-530006-5
		MATTE TIN	4	5-530006-2
5	OBSOLETE		4	530006-7
			4	530006-6
		TIN PLATE	4	530006-5
			4	530006-4
			4	530006-3
		TIN PLATE		530006-2
		FINISH		PART NUMBER

THIS DRAWING IS A CONTROLLED DOCUMENT.		DWN M.BINNER 29MAR01	TE Connectivity														
DIMENSIONS: INCHES		CHK M.MILLER 05APR01															
TOLERANCES UNLESS OTHERWISE SPECIFIED:		APVD M.MILLER 05APR01	NAME CONTACT, 22-18 AWG, DUO-TYNE FLAG WITH TAPERED BEAMS														
<table border="0"> <tr><td>0 PLC</td><td>± -</td></tr> <tr><td>1 PLC</td><td>± -</td></tr> <tr><td>2 PLC</td><td>± -</td></tr> <tr><td>3 PLC</td><td>± .005</td></tr> <tr><td>4 PLC</td><td>± .0005</td></tr> <tr><td>ANGLES</td><td>± -</td></tr> </table>		0 PLC	± -	1 PLC	± -	2 PLC	± -	3 PLC	± .005	4 PLC	± .0005	ANGLES	± -	PRODUCT SPEC -	-		
0 PLC	± -																
1 PLC	± -																
2 PLC	± -																
3 PLC	± .005																
4 PLC	± .0005																
ANGLES	± -																
MATERIAL BERYLLIUM COPPER		FINISH SEE TABLE	APPLICATION SPEC -	SIZE A3	CAGE CODE 00779												
CUSTOMER DRAWING			DRAWING NO C-530006	RESTRICTED TO -													
			WEIGHT -	SCALE 6:1	SHEET 1 OF 1												
				REV H2													