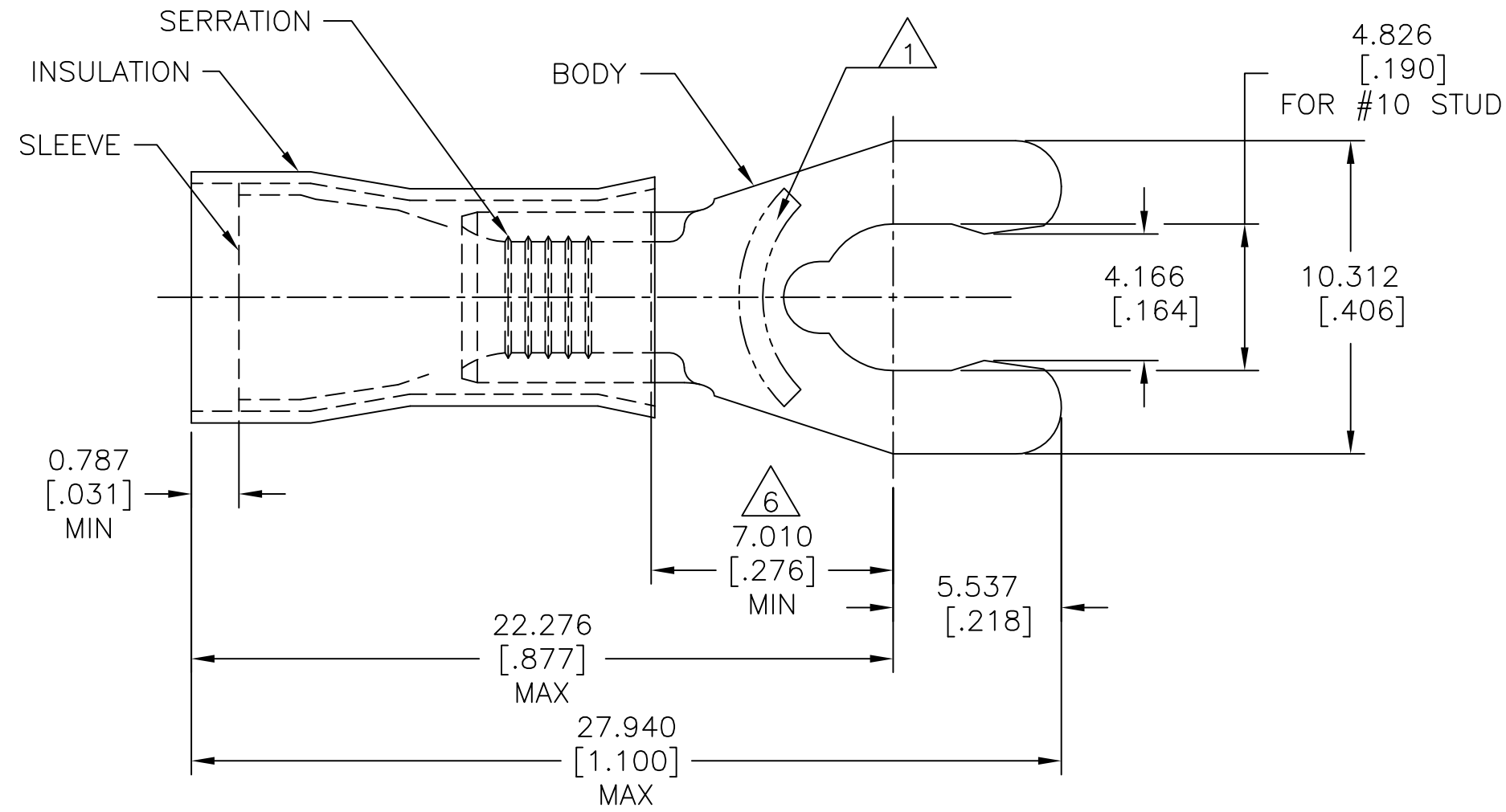


THIS DRAWING IS UNPUBLISHED. RELEASED FOR PUBLICATION  
 © COPYRIGHT - By - ALL RIGHTS RESERVED.

REVISIONS					
P	LTR	DESCRIPTION	DATE	DWN	APVD
	H1	REVISED PER ECO-11-004917	11MAR11	RK	HMR
	H2	REVISED PER ECO-17-007400	28NOV2017	RS	DR

<b>AMP</b> WIRE RANGE	Listed	LR7189 Certified
12-10 AWG SOLID OR STRANDED	12-10 AWG SOLID OR STRANDED	12-10 AWG SOLID OR STRANDED



- 1 STAMP 10S AMP 12-10\* APPROX AS SHOWN
- 2 WIRE INSULATION  $\phi 3.810-6.350[\phi .150-.250]$
- 3 BODY MATERIAL THICKNESS  $0.991 \pm 0.051[.039 \pm .002]$
- 4 MATERIAL: BODY - PHOS BRONZE PER ASTM B103  
INSULATION - NYLON,  
METAL SLEEVE - COPPER PER ASTM B152.
- 5 FINISH: BODY - TIN PLATE PER ASTM B545  
METAL SLEEVE - TIN PLATE PER ASTM B545  
INSULATION - COLOR- YELLOW.
- 6 APPLIES FROM EDGE OF METAL WIRE  
BARREL TO CENTER OF STUD.

2500	ON TAPE	52943-1
500	LOOSE PIECE	52943
QTY	PACKAGE TYPE	PART NO

**AMP INCORPORATED**  
**CUSTOMER SERVICE SYSTEMS**

FOR ADDITIONAL PRODUCT INFORMATION OR COPIES OF DRAWINGS AND TECHNICAL DOCUMENTS  
 PRODUCT INFORMATION CENTER  
 1-800-522-6752

FOR APPLICATION TOOLING INFORMATION  
 TOOLING ASSISTANCE CENTER  
 1-800-722-1111

FOR ORDER ENTRY  
 1-800-526-5142

MAX RECOMMENDED OPERATING TEMPERATURE:  
 105°C [221°F]

VOLTAGE RATING:  
 300 V MAX

CIRCULAR MIL AREA:  
 2.62-6.64mm<sup>2</sup> [5,180-13,100]  
 SOLID OR STRANDED

THIS DRAWING IS A CONTROLLED DOCUMENT.

DIMENSIONS:  
 mm [INCHES]

TOLERANCES UNLESS OTHERWISE SPECIFIED:

0 PLC	± -
1 PLC	± -
2 PLC	± -
3 PLC	± 0.127[.005]
4 PLC ANGLES	± -
FINISH	± 5°

MATERIAL

DWN jr\_ruth 20MAR07  
 CHK T MICHELUTTI 20MAR07  
 APVD T MICHELUTTI 20MAR07  
 PRODUCT SPEC  
 UL 486 A-B  
 APPLICATION SPEC  
 114-2157  
 WEIGHT -

**STE** TE Connectivity

NAME  
 TERMINAL, SPRING SPADE,  
 STUB, PIDG  
 WIRE SIZE: 12-10

SIZE A3 CAGE CODE 00779 DRAWING NO C=52943 RESTRICTED TO -

CUSTOMER DRAWING SCALE 5:1 SHEET 1 OF 1 REV H2