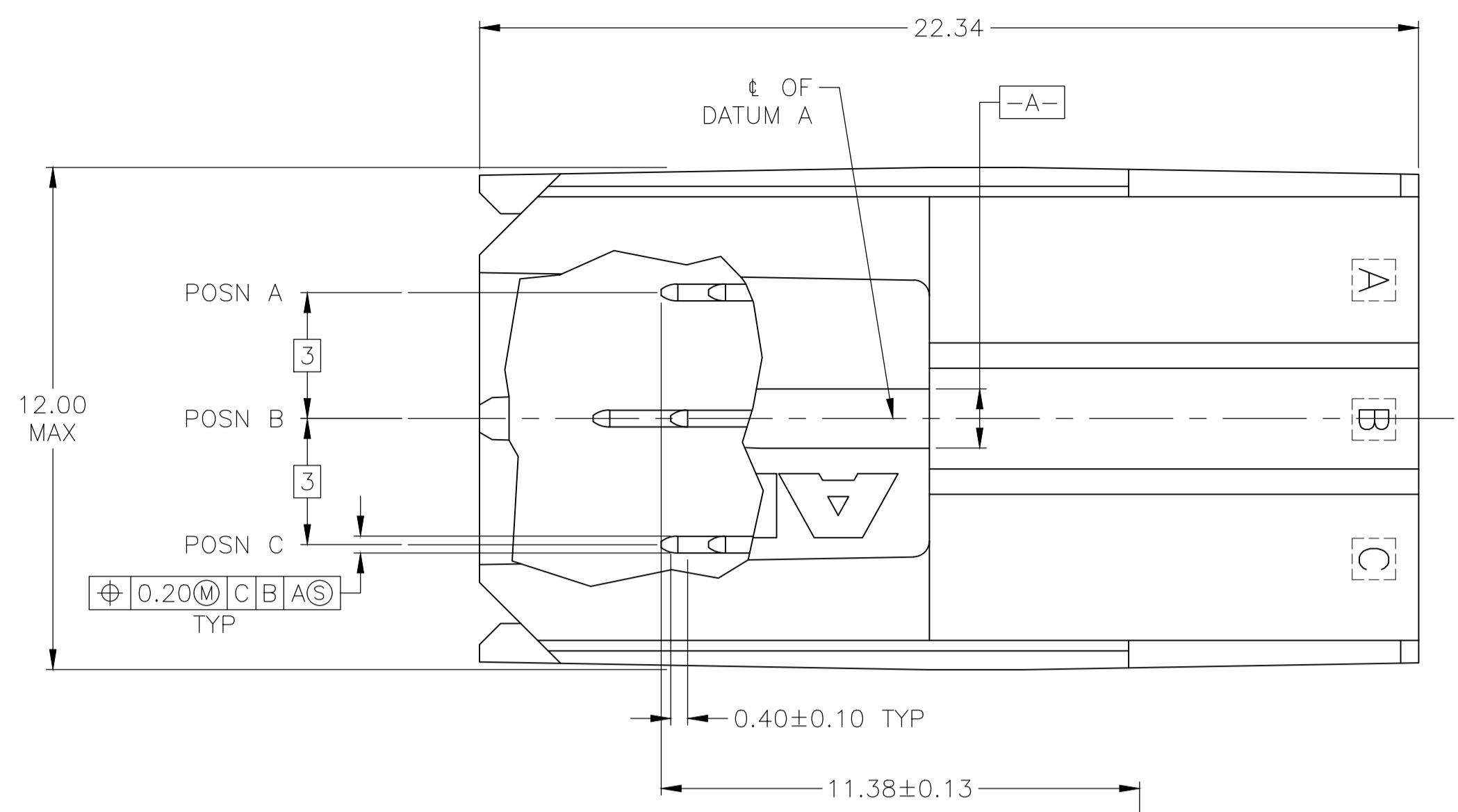
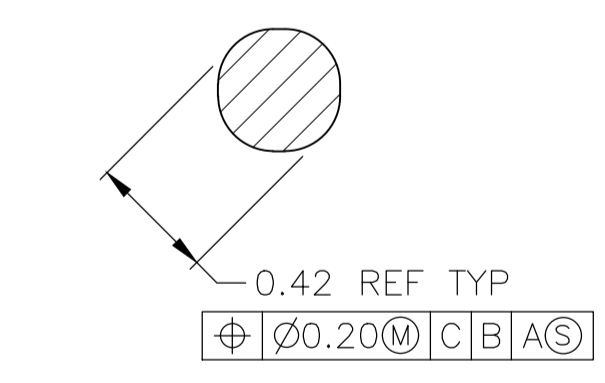
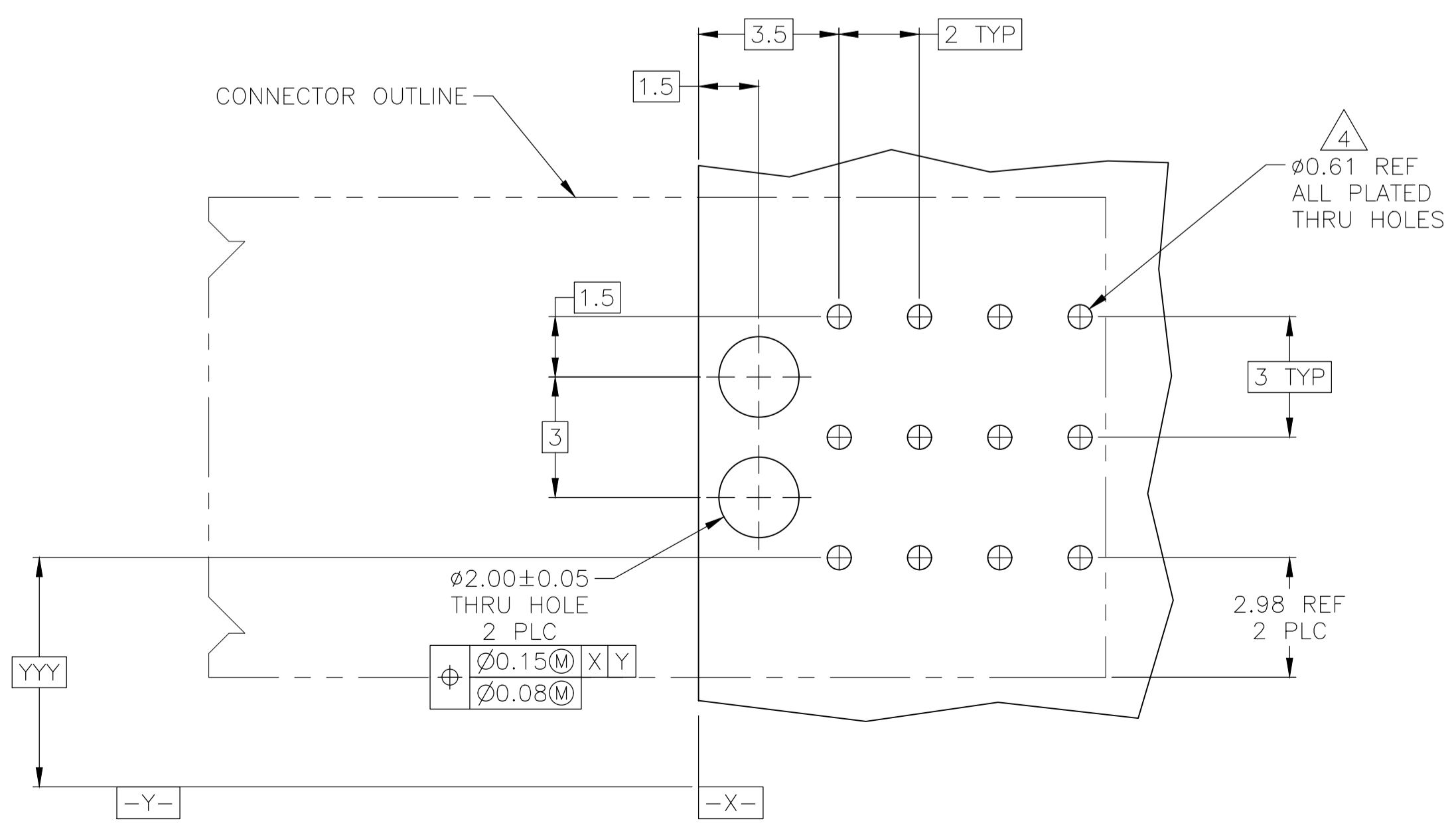
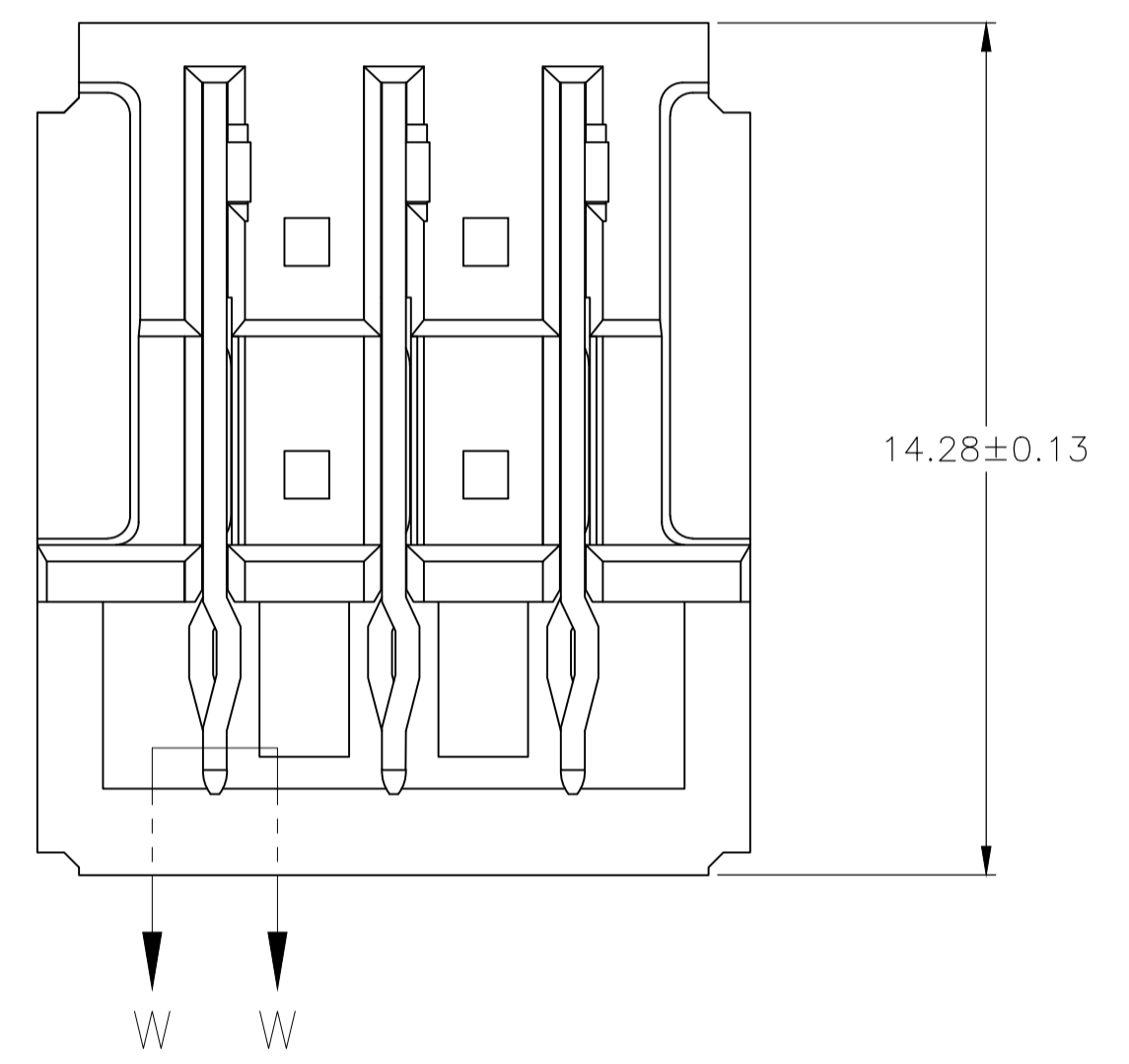
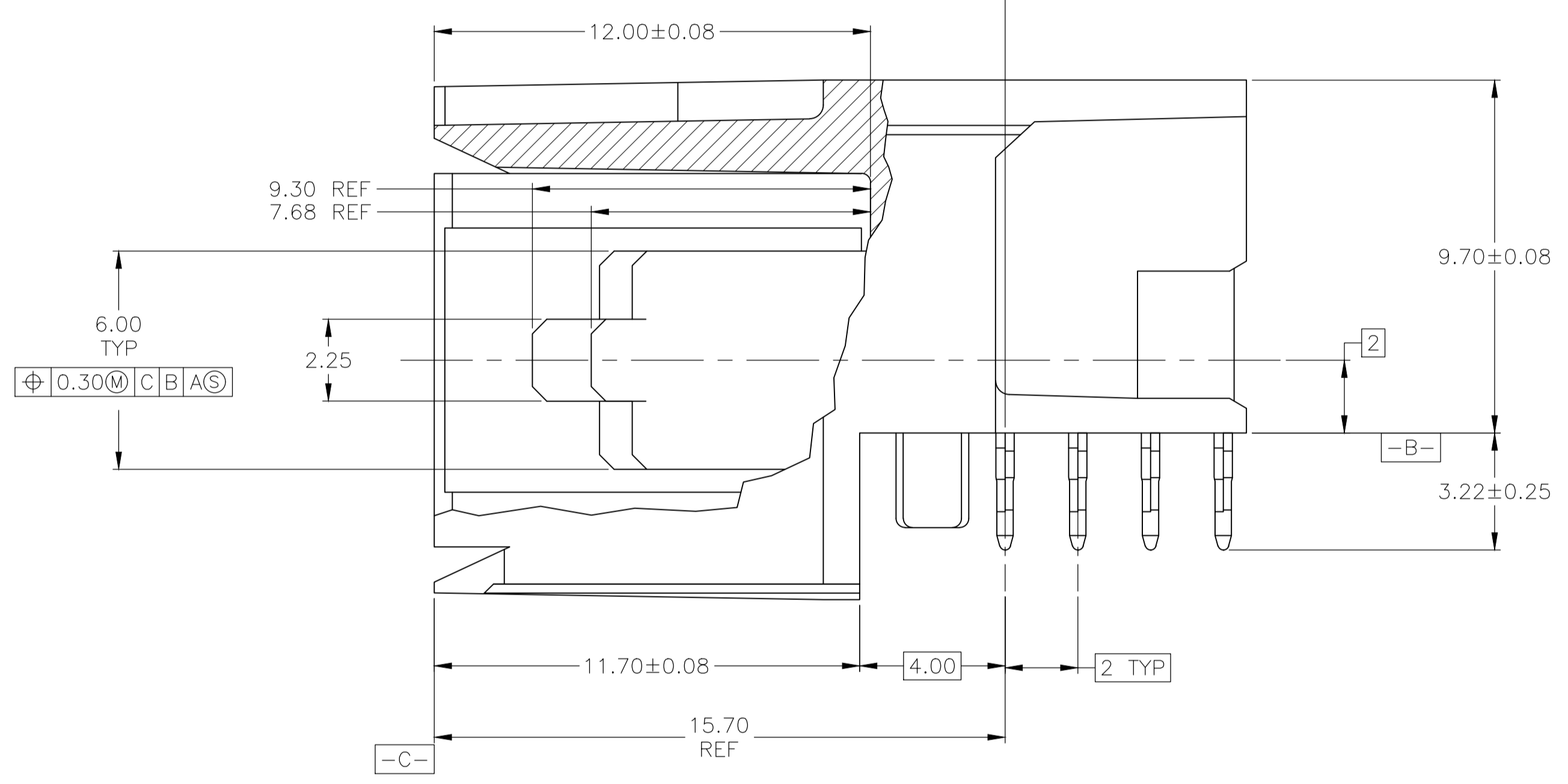
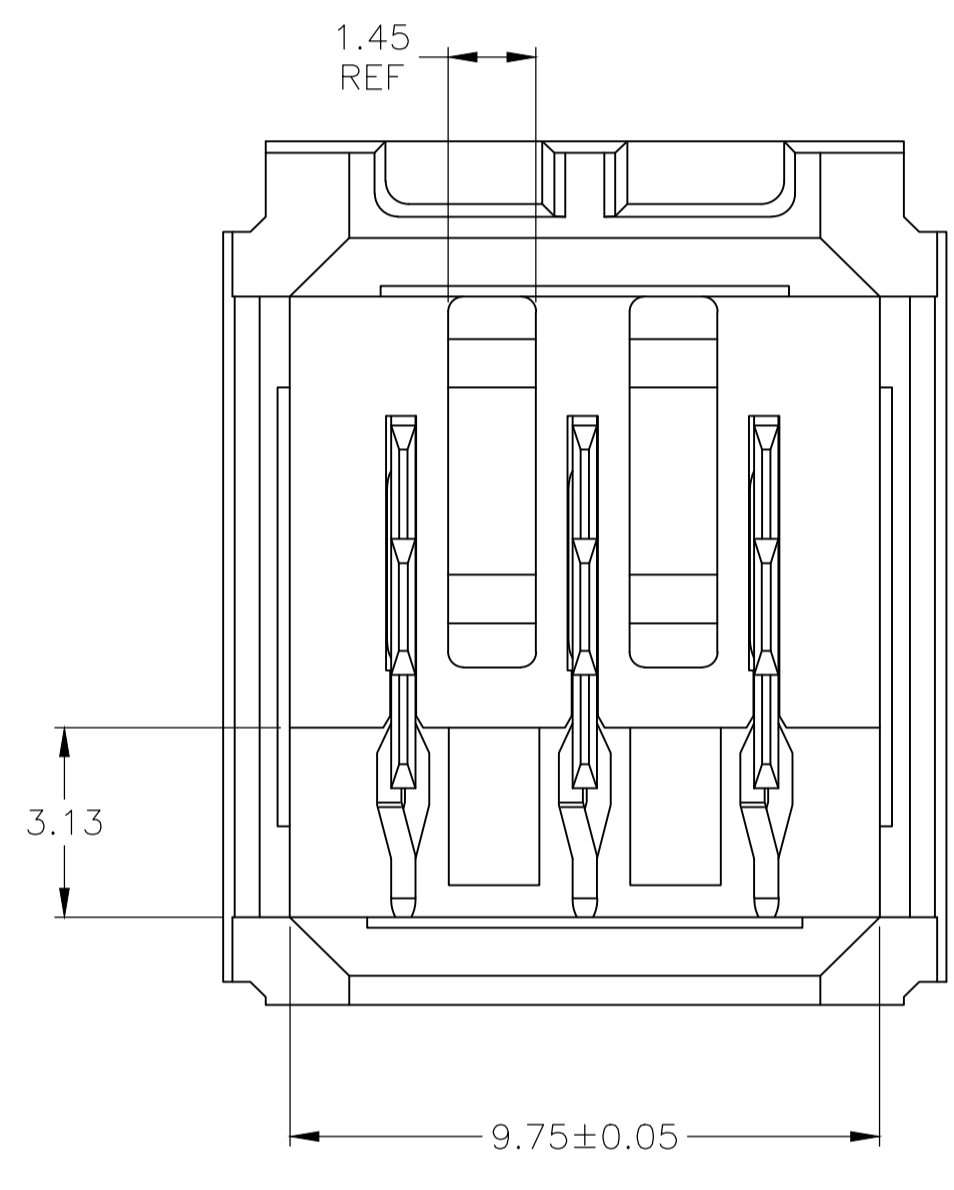


LOC		DIST		REVISIONS			
AD	00	REV	DATE	BY	APPV	DATE	REV
C1	REVISED PER	ECO-19-016824	10AUG2020	ML	SZ		



- 1 HOUSING: POLYESTER, GRAY. UL 94V-0
CONTACT: PHOSPHOR BRONZE.
- 2 PLATING: IN ACCORDANCE WITH PRODUCT SPECIFICATION 108-1651, GOLD PLATING OR EQUIVALENT PLATING ON PRODUCT CONTACT MATING AREA, AND MATTE TIN PLATING ON COMPLIANT PIN AREA, ALL OVER MATTE NICKEL UNDERPLATED. DETAIL PLEASE REFER TO PRODUCT SPECIFICATION 108-1651.
- 3 CONTACT LUBRICATION WITH BELCORE APPROVED LUBRICANT. TECHNICAL REFERENCE: TR-NWT-001217 ISSUE 1, SEPT 1992.
- 4 REFERENCE APPLICATION SPEC 114-1103 FOR RECOMMENDED PLATED THRU HOLE DIAMETER AND PLATING THICKNESS.
- 5 CURRENT RATING 10A/CONTACT PER PRODUCT SPEC 108-1651.



SECTION W-W
SCALE 40:1

DELETED 5223983-1
PART NUMBER

THIS DRAWING IS A CONTROLLED DOCUMENT.		DIN B CARBO 130EC04	Tyco Electronics Corporation Harrisburg, PA 17105-3608
DIMENSIONS: mm		130EC04	
TOLERANCES UNLESS OTHERWISE SPECIFIED:		APPRO R PATTERSON 130EC04	NAME ASSEMBLY, RIGHT ANGLE HEADER, W/ RETENTION PEGS, UNIVERSAL POWER MODULE
0 PLC ± -		PRODUCT SPEC	
1 PLC ± -		APPLICATION SPEC	SIZE CASE CODE DRAWING NO A1 00779 C=5223983
2 PLC ± 0.13		RESTRICTED TO	
3 PLC ± -		WEIGHT	CUSTOMER DRAWING SCALE 8:1 SHEET 1 OF 1 REV C1
4 PLC ± -			
ANGLES ± -			