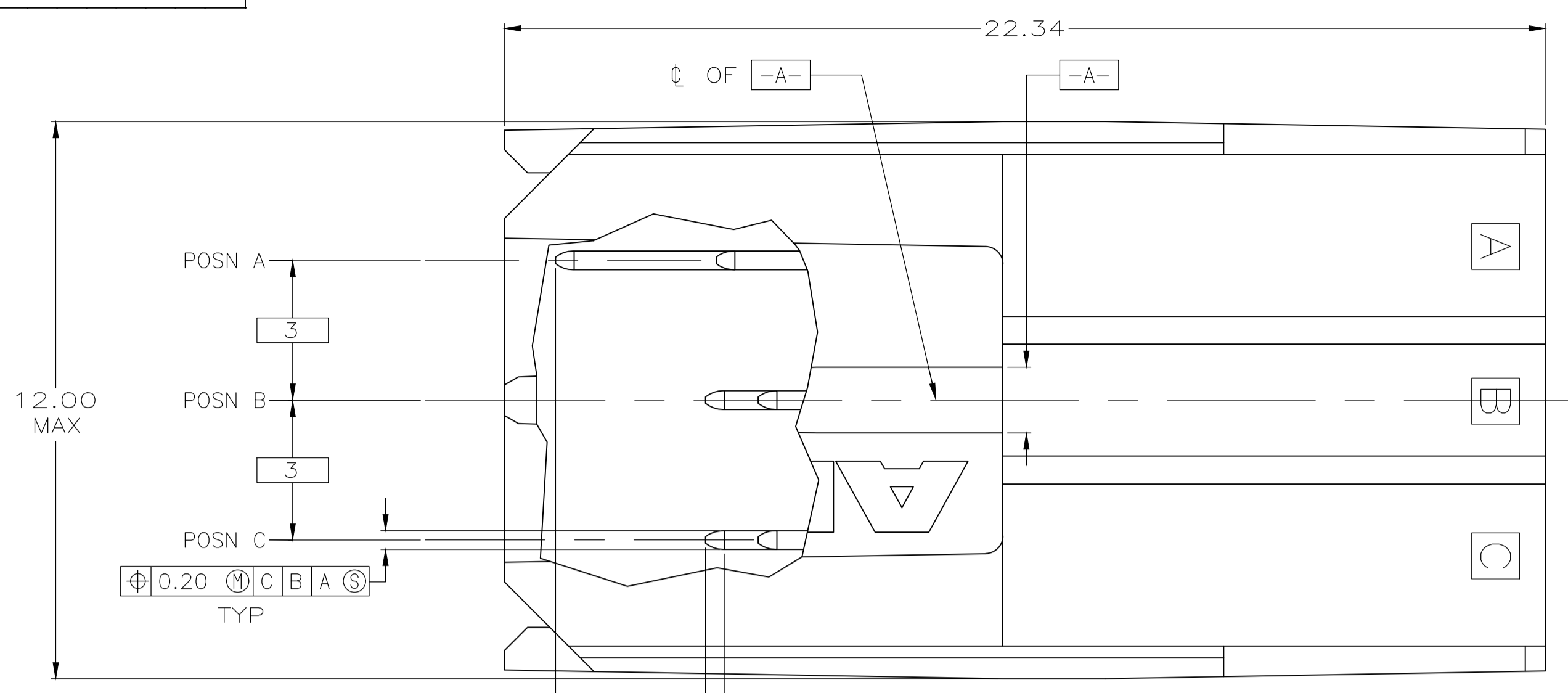
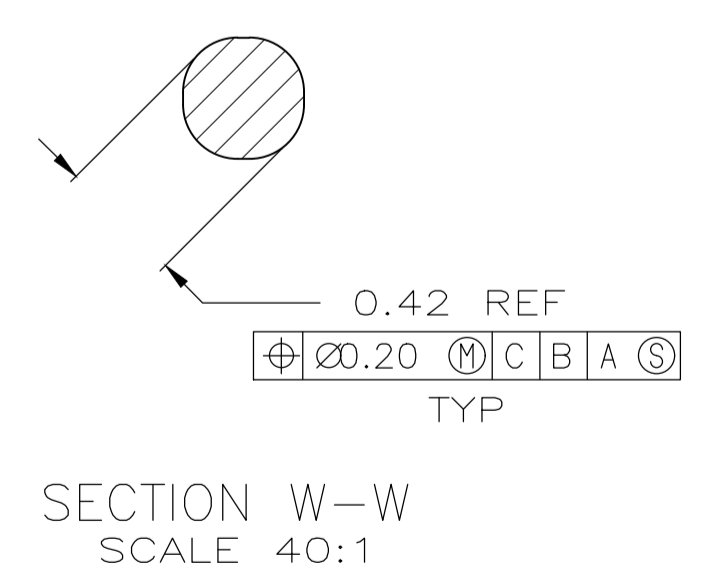
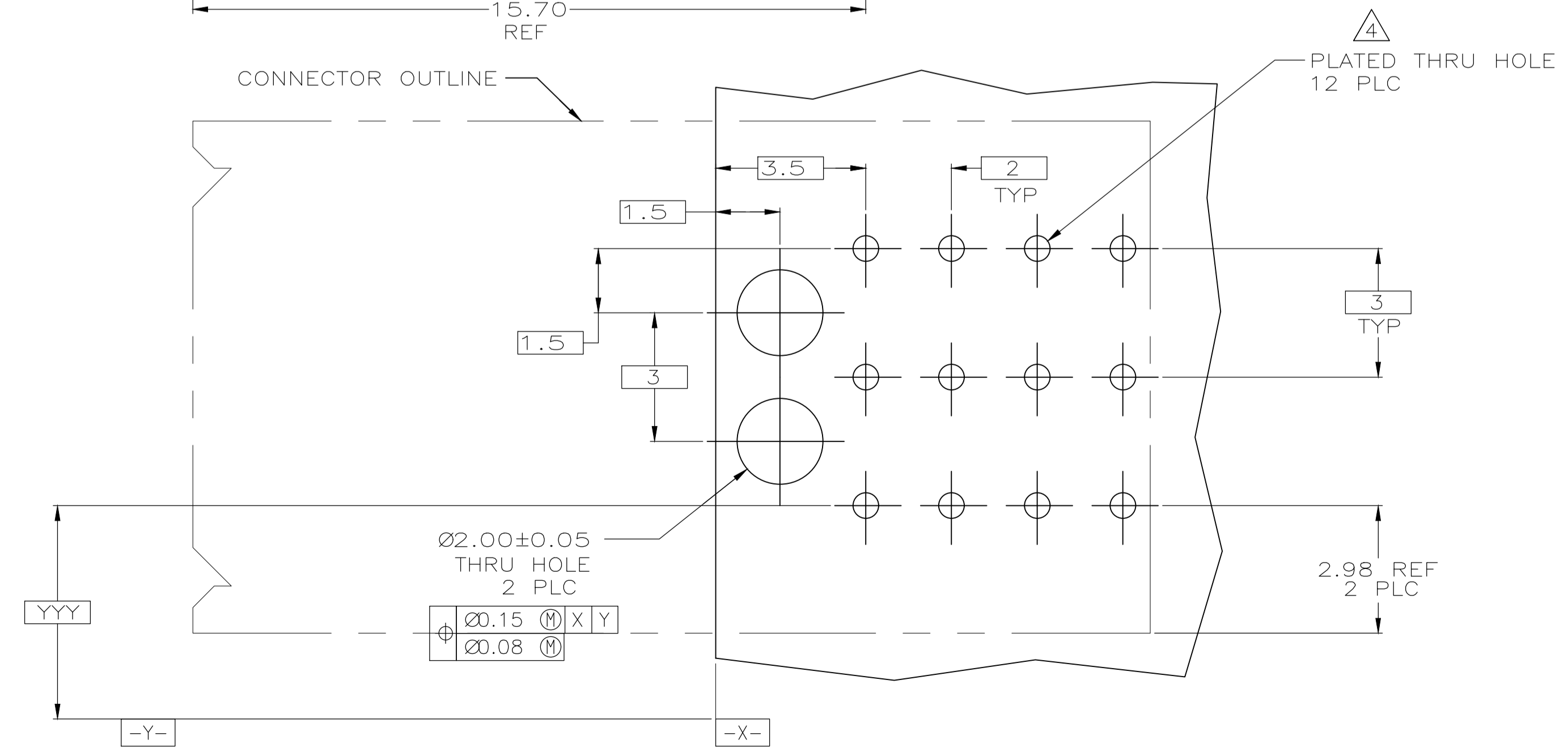
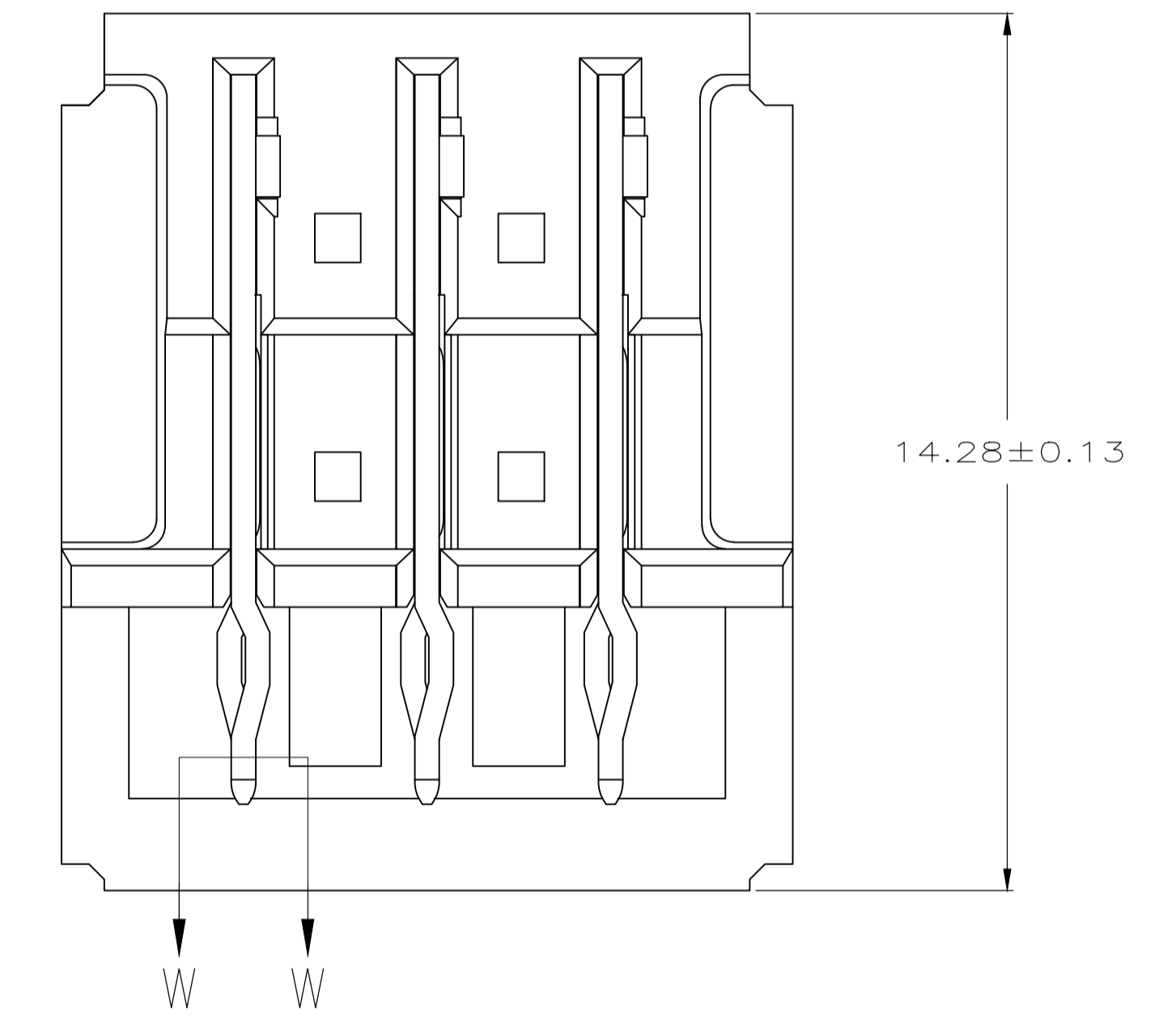
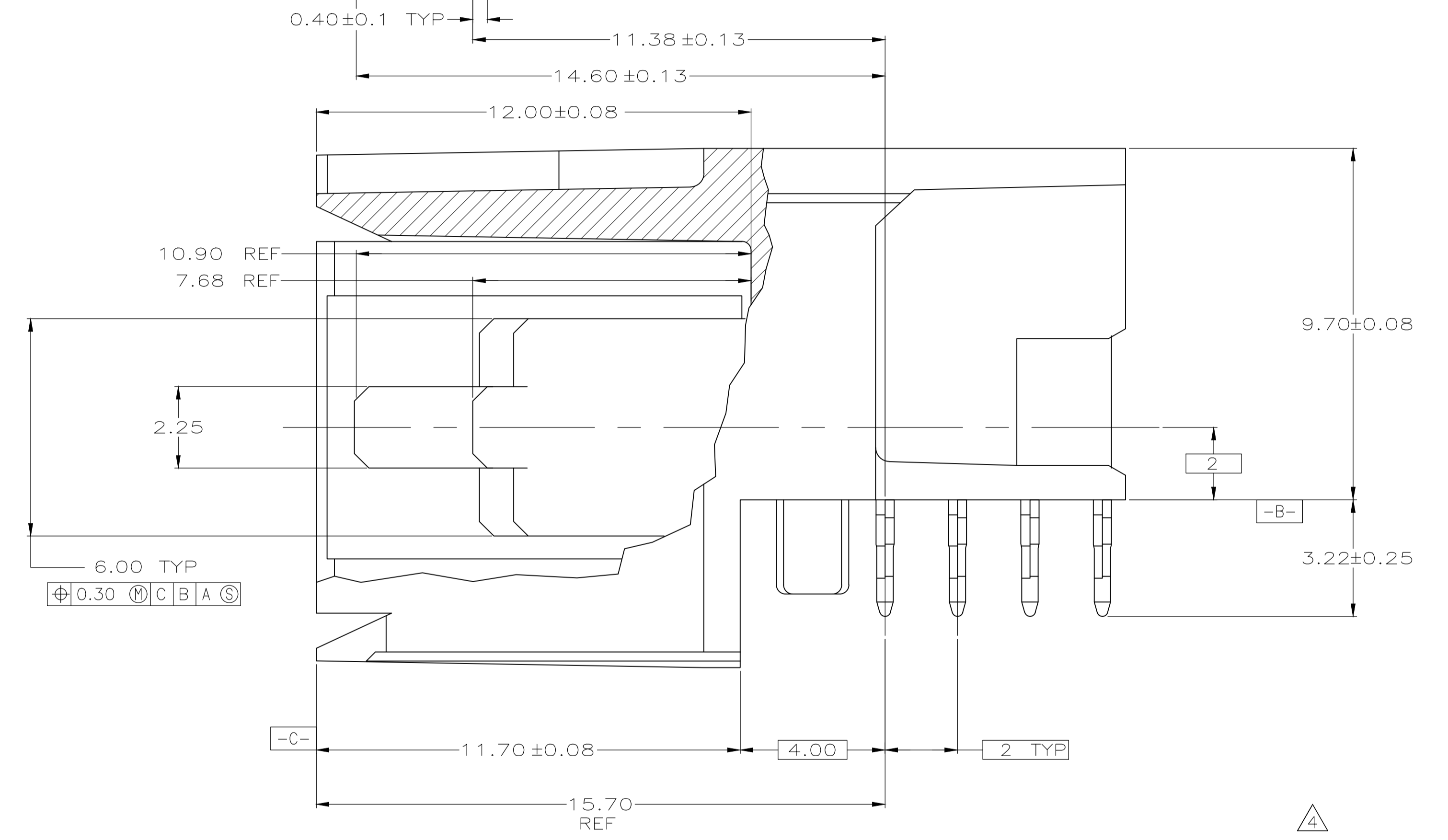
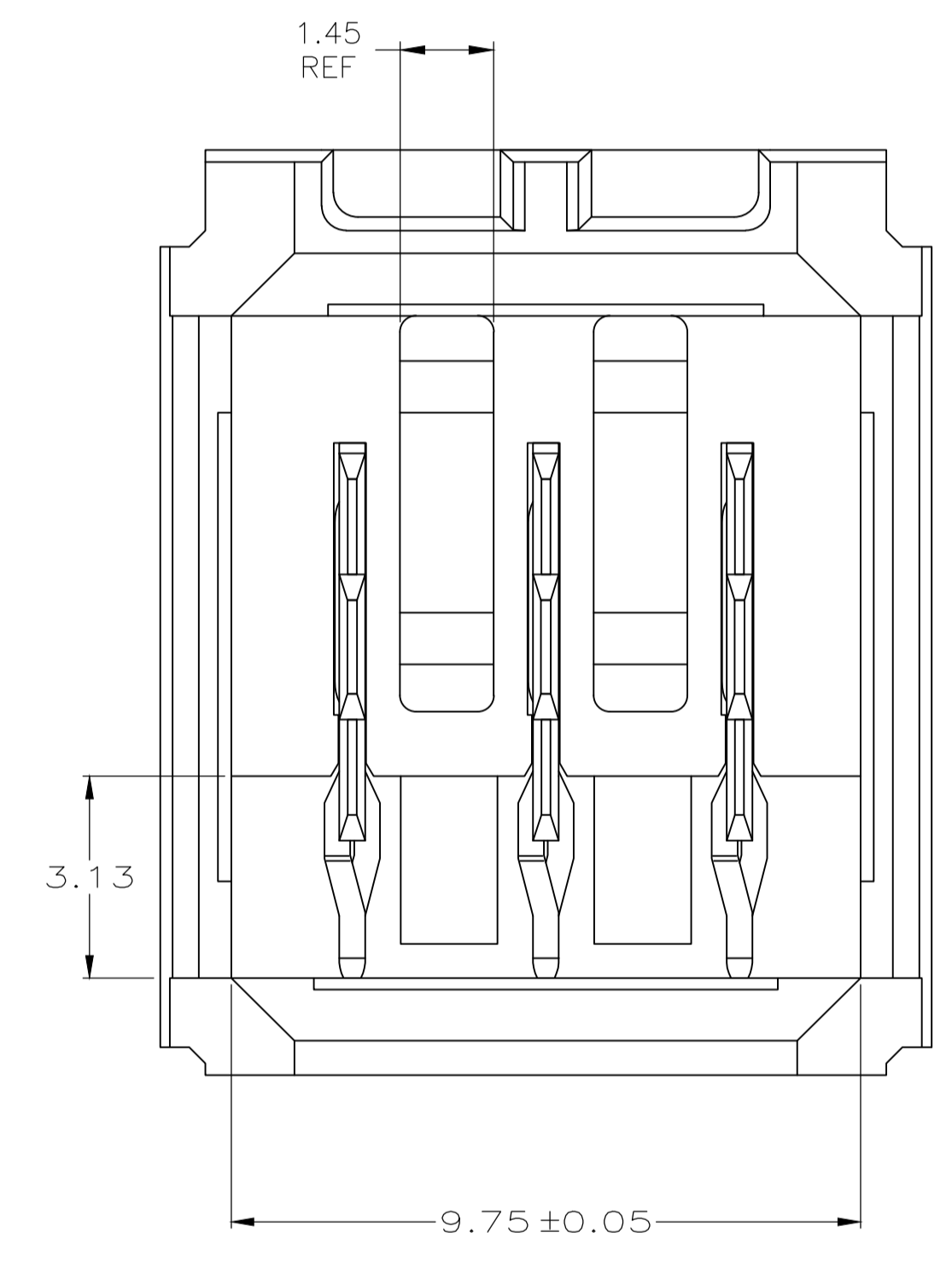


REVISONS		DATE	BY	APPV
AD	00	10AUG2020	ML	SZ
REV	DESCRIPTION			
C1	REVISED PER ECO-19-016824			



- ⚠ MATERIAL: HOUSING: POLYESTER. COLOR: GRAY. CONTACT: COPPER ALLOY.
- ⚠ FINISH: IN ACCORDANCE WITH PRODUCT SPECIFICATION 108-1651. GOLD PLATING OR EQUIVALENT PLATING ON PRODUCT CONTACT MATING AREA, AND MATTE TIN PLATING ON COMPLIANT PIN AREA, ALL OVER MATTE NICKEL UNDERPLATED. DETAIL PLEASE REFER TO PRODUCT SPECIFICATION 108-1651.
- ⚠ FINISH: CONTACT LUBRICATION WITH BELLCORE APPROVED LUBRICANT. TECHNICAL REFERENCE: TR-NWT-001217 ISSUE 1, SEPT 1992.
- ⚠ REFERENCE APPLICATION SPEC 114-1103 FOR RECOMMENDED PLATED THRU HOLE DIAMETER AND PLATING THICKNESS.



DELETED 5223970-1 PART NUMBER

RECOMMENDED PCB HOLE LAYOUT

THIS DRAWING IS A CONTROLLED DOCUMENT.		DIN: B. CARBO 130EC04	Tyco Electronics Corporation Harrisburg, PA 17105-3608	
DIMENSIONS: mm		CHK: R. PATTERSON 130EC04	NAME: R. PATTERSON 130EC04	
TOLERANCES UNLESS OTHERWISE SPECIFIED:		PRODUCT SPEC: 108-1651		
0 PLC ± -		APPLICATION SPEC: 114-1103		
1 PLC ± ± 0.13		SIZE: A1		
2 PLC ± ± 0.13		CAGE CODE: 00779		
3 PLC ± ± 0.13		DRAWING NO: 5223970		
4 PLC ± ± 0.13		RESTRICTED TO: -		
ANGLES ± ± -		CUSTOMER DRAWING		
MATERIAL: 1		SCALE: 10:1		
FINISH: 2, 3		SHEET: 1 of 1		
		REV: C1		