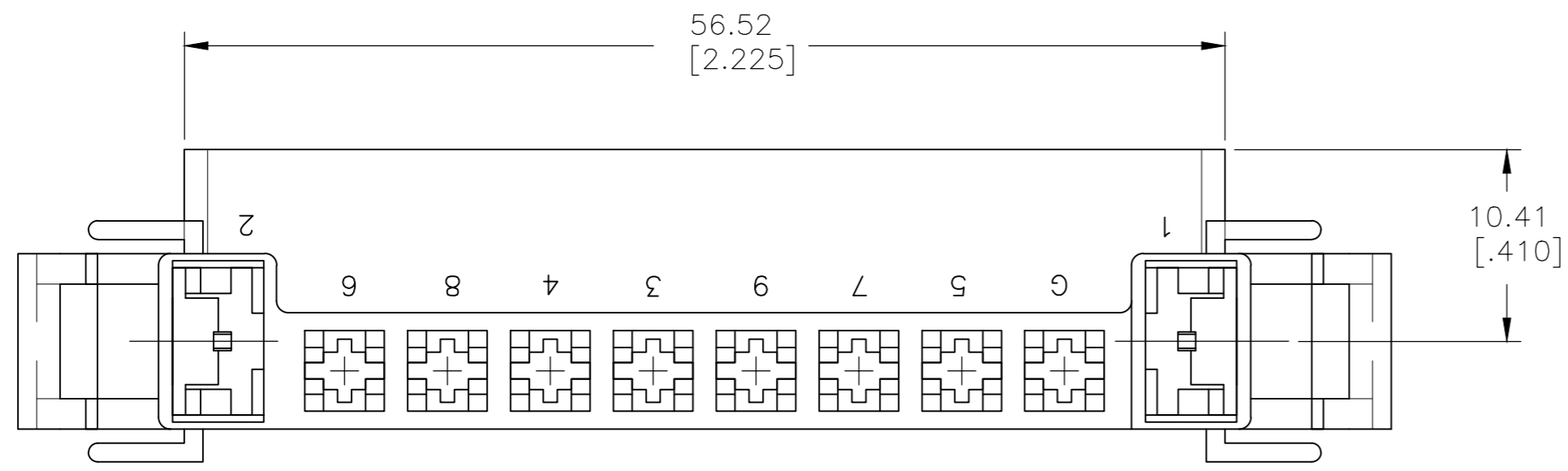
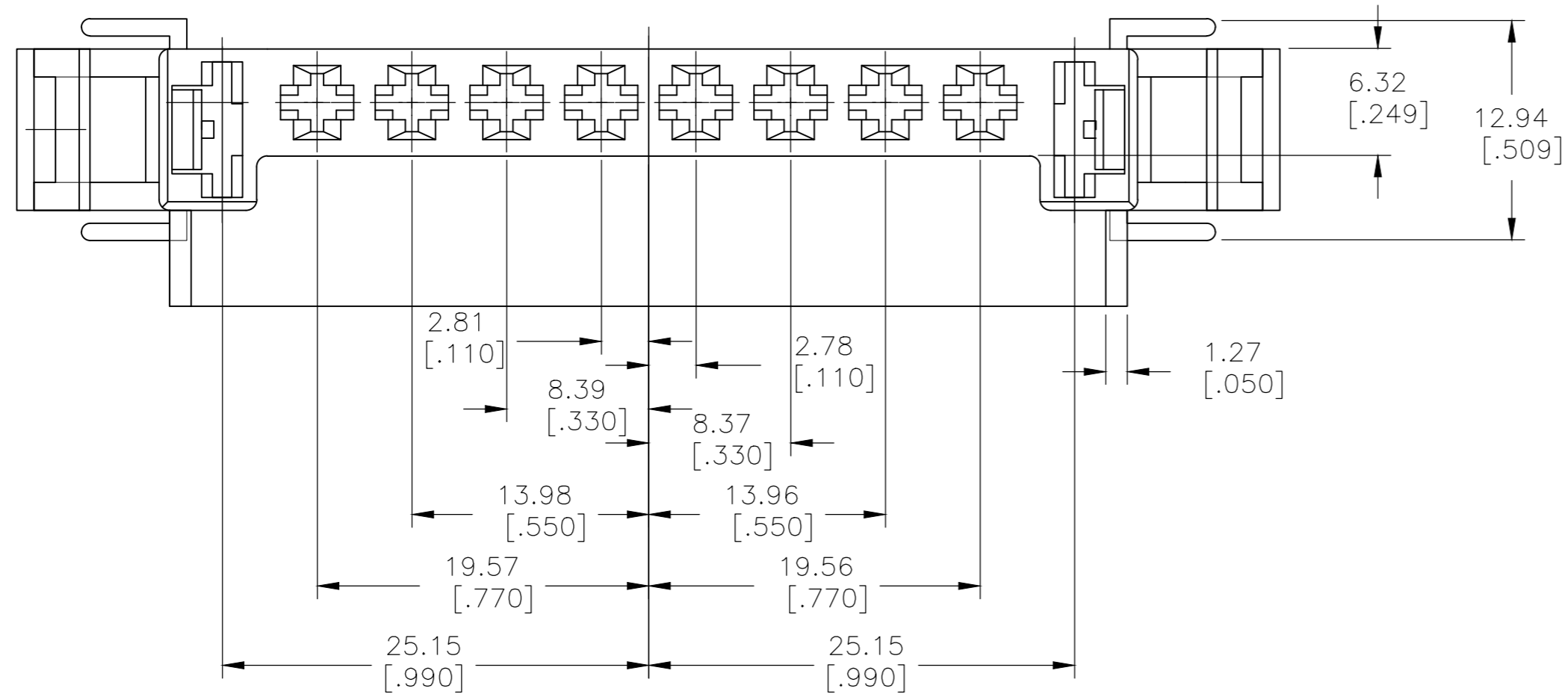
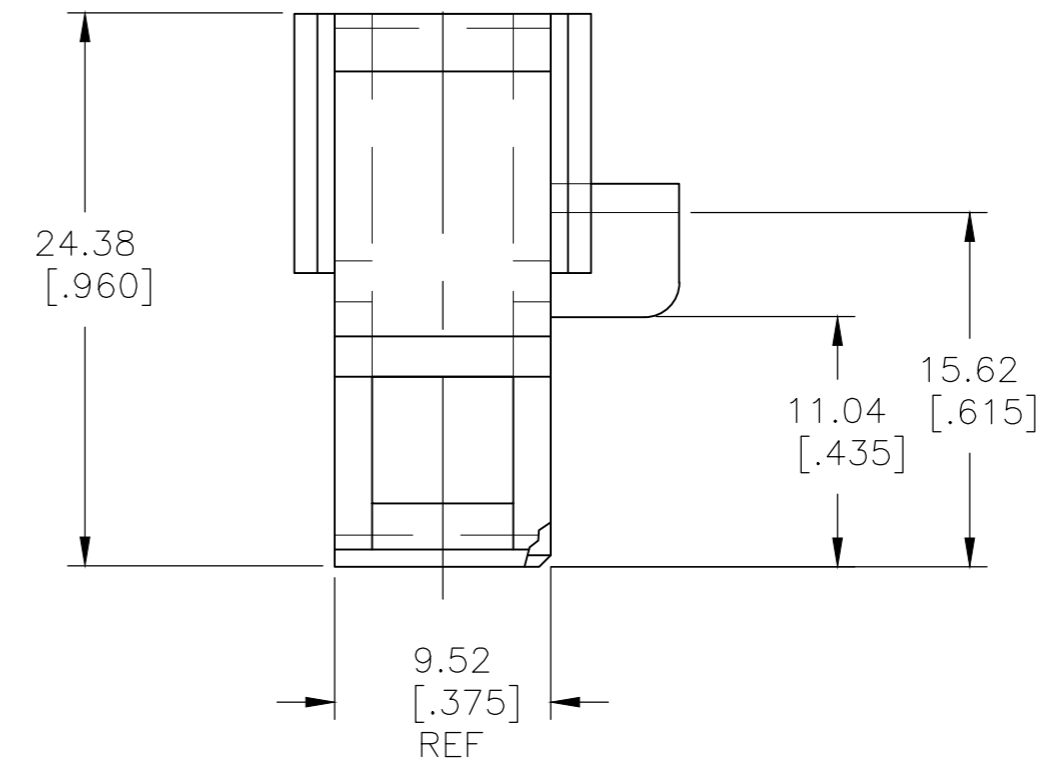
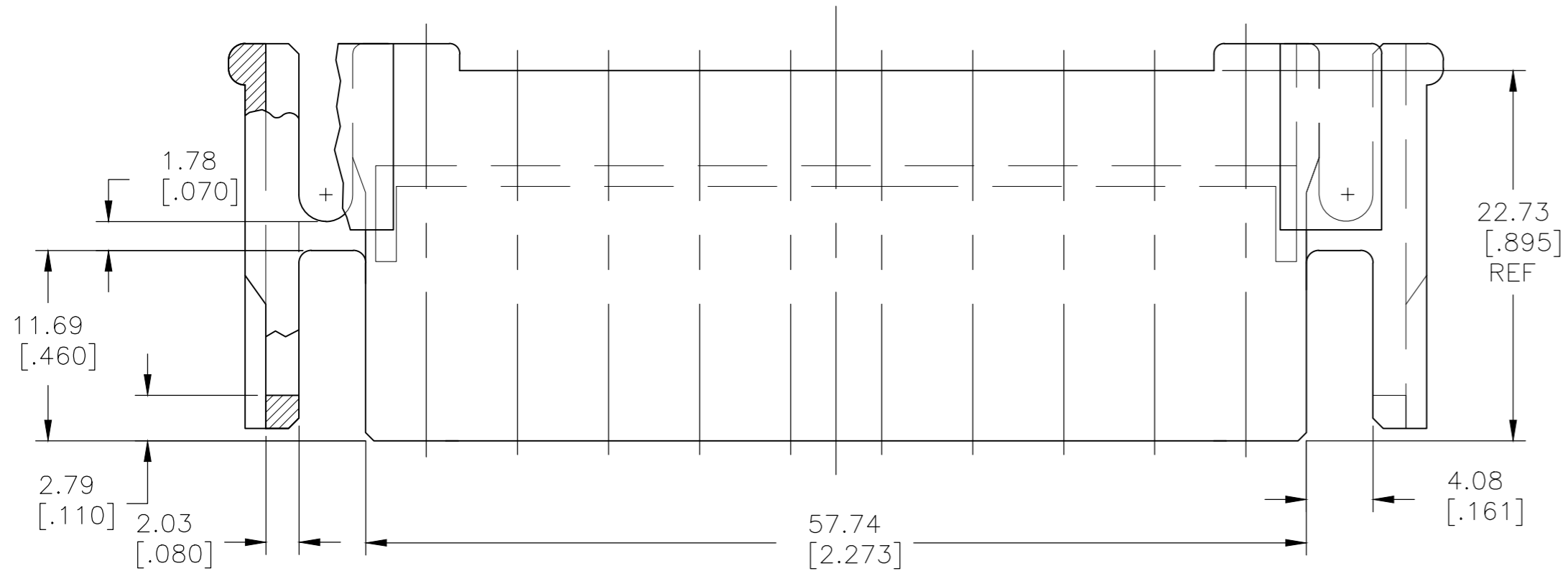


THIS DRAWING IS UNPUBLISHED. RELEASED FOR PUBLICATION  
 © COPYRIGHT - By - ALL RIGHTS RESERVED.

REVISIONS				
P	LTR	DESCRIPTION	DATE	APVD
C1		REVISED PER ECR-18-008168	06JUL18	MD TD



- 1 POSITIONS 3 THRU 8 AND G ACCEPT .125 BLADE RECEPTACLE P/N 1217039-1
- 2 POSITIONS 1 AND 2 ACCEPT .250 FASTON LIF RECEPTACLES P/N 603306-( ) OR 63537-( ) OR 63365-( ). ALSO ACCEPTS FASTON RECEPTACLE 280001-9
- 3 GLOW WIRE COMPLIANT PER IEC 60335-1, 750°C NO FLAME.
- 4 PRELIMINARY - NOT FOR PRODUCTION



OBSOLETE	2.5 mm2 (#13.5 awg)	BLACK	3 NYLON 6	4 521986-3
OBSOLETE	2.5 mm2 (#13.5 awg)	NATURAL	3 NYLON 6	521986-2
	5.0 mm2 (#10 awg)	NATURAL	NYLON 6/6	521986-1
	MAX WIRE SIZE	COLOR	MATERIAL	PART NO.

THIS DRAWING IS A CONTROLLED DOCUMENT.		DWN JR RUTH 06DEC06	<b>STE</b> TE Connectivity Ltd.	
DIMENSIONS: mm [INCHES]		CHK JOHN KNOLL 06DEC06		
TOLERANCES UNLESS OTHERWISE SPECIFIED:		APVD JOHN KNOLL 06DEC06	NAME MOTOR HOUSING, DRYER, 10 POSITION GEN III	
0 PLC ± -		PRODUCT SPEC 108-1271-1	SIZE CAGE CODE DRAWING NO RESTRICTED TO	
1 PLC ± -		APPLICATION SPEC 114-49003	A2 00779 C=521986	
2 PLC ± 0.25[.010]		WEIGHT 0,000000	SCALE 3:1 SHEET 1 OF 1 REV C1	
3 PLC ± -		CUSTOMER DRAWING		
4 PLC ± -				
ANGLES ± -				
FINISH SEE TABLE				