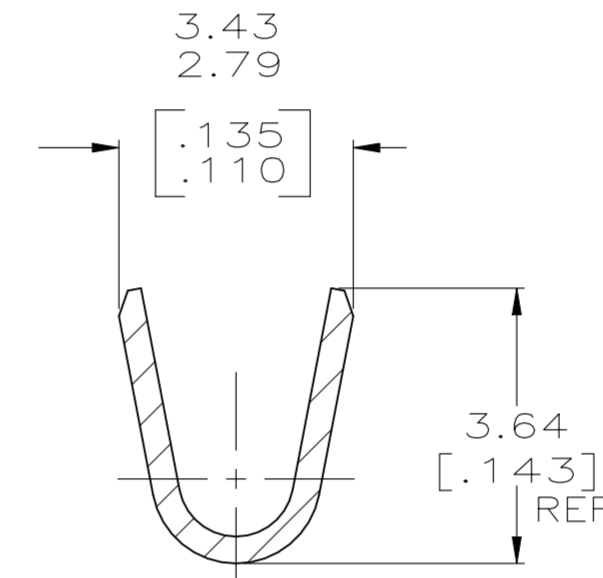
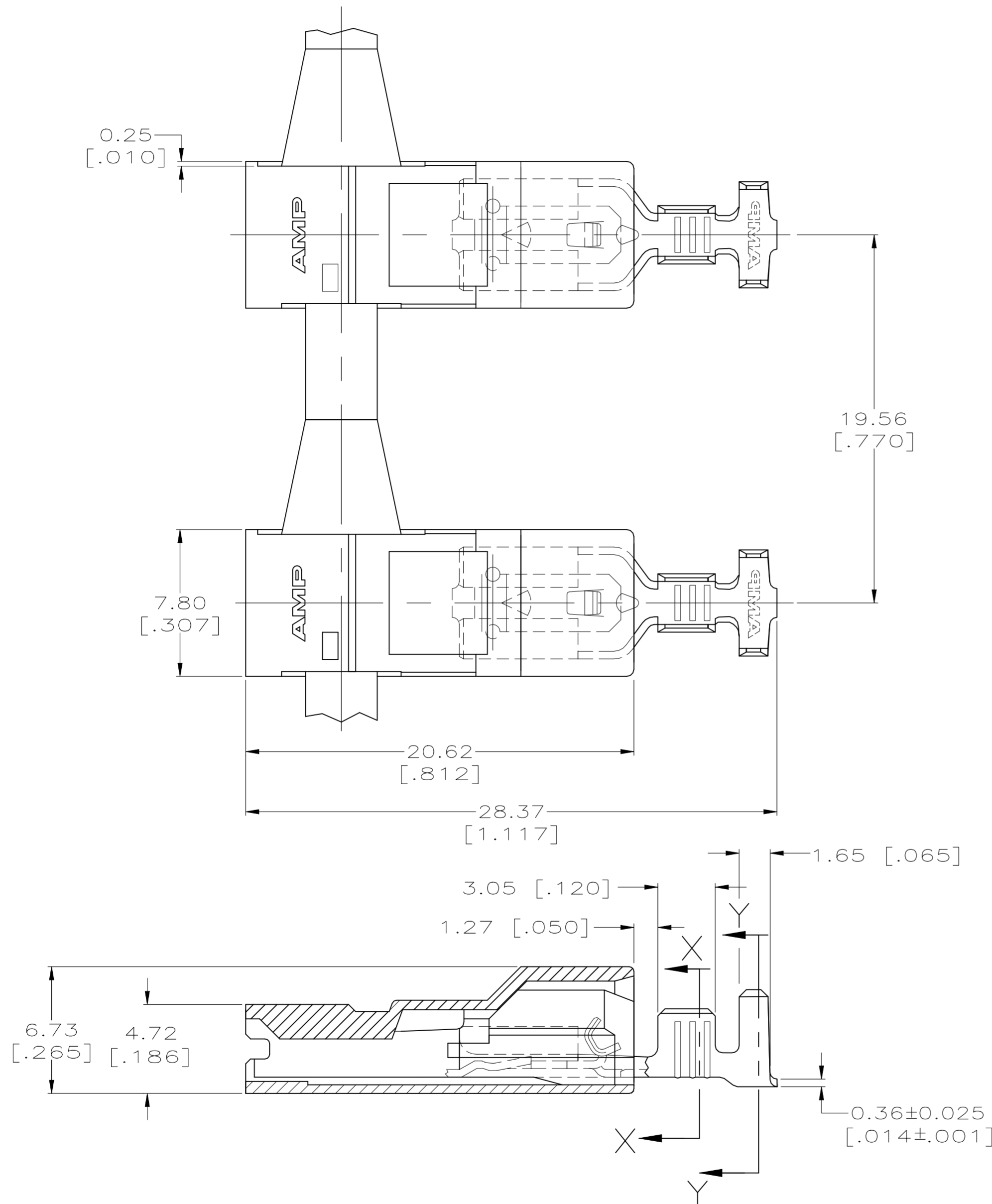
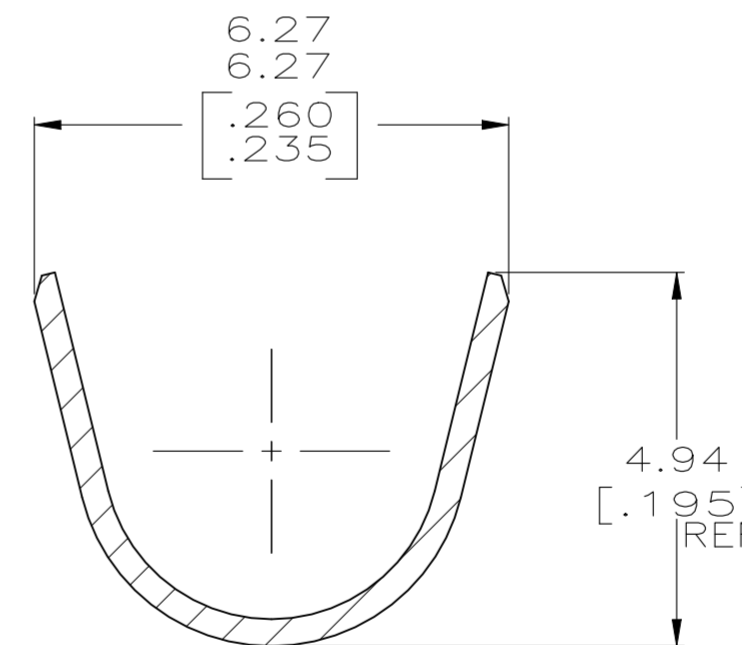


| REVISIONS | | | | | |
|-----------|-----|---------------------------|-----------|-----|------|
| P | LTR | DESCRIPTION | DATE | DWN | APVD |
| F2 | | REVISED PER ECR-22-160893 | 14DEC2022 | DB | BW |

- 1 MATING TAB THK TO BE 0.51 ± 0.025 $[\.020 \pm .001]$.
- 2 WIRE SIZE IS $[\#18-\#14]$ AWG.
- 3 INSULATION RANGE IS 2.79-4.57 $[\.110-.180]$ DIA.
 2.79-3.56 $[\.110-.140]$ DIA - CRIMP WIDTH 4.57 $[\.180]$, F TYPE
 3.56-4.57 $[\.140-.180]$ DIA - CRIMP WIDTH 4.57 $[\.180]$, O TYPE



SECTION X-X
SCALE 10:1



SECTION Y-Y
SCALE 10:1

| | | |
|------------------------|-----------------------------|----------|
| | 6/6 VO NYLON, NATURAL | 521212-2 |
| SUPERSEDED BY 521212-2 | 4/6 V2 NYLON (150° C) BLACK | 521212-1 |
| | MATERIAL | PART NO. |

| | | | | | | | | |
|--|----------------------|------------------|---------------------|------------------|----------|---|-----------|------------|
| THIS DRAWING IS A CONTROLLED DOCUMENT. | | DWN | JR RUTH | 01APR99 | | TE Connectivity | | |
| DIMENSIONS: | | CHK | MS FEHER | 01APR99 | | NAME | | |
| mm [INCHES] | | APVD | J HUMMEL | 01APR99 | | ASSEMBLY, RECEPT, POSI-LOCK, ULTRA-POD, 4.75 $[\.187]$ SERIES | | |
| TOLERANCES UNLESS OTHERWISE SPECIFIED: | | PRODUCT SPEC | | | | SIZE | CAGE CODE | DRAWING NO |
| 0 PLC | $\pm -$ | APPLICATION SPEC | | | A2 | 00779 | C=521212 | - |
| 1 PLC | $\pm -$ | | | | SCALE | SHEET | 1 OF 1 | REV |
| 2 PLC | ± 0.25 $[\.010]$ | | | | 5:1 | | | F2 |
| 3 PLC | $\pm -$ | | | | | | | |
| 4 PLC | $\pm -$ | | | | | | | |
| ANGLES | $\pm -$ | | | | | | | |
| MATERIAL | TERMINAL - BRASS | FINISH | TERMINAL - TIN | WEIGHT | 0.000000 | | | |
| | HOUSING - SEE TABLE | | HOUSING - SEE TABLE | CUSTOMER DRAWING | | | | |