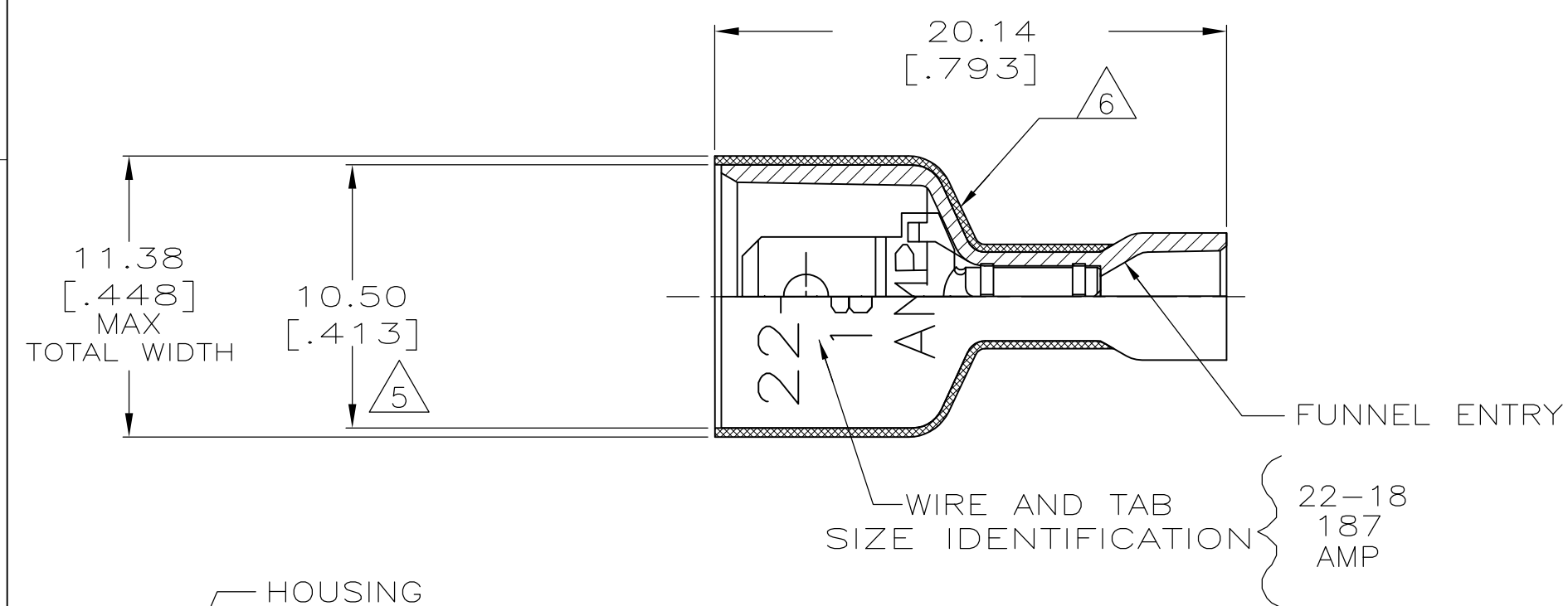
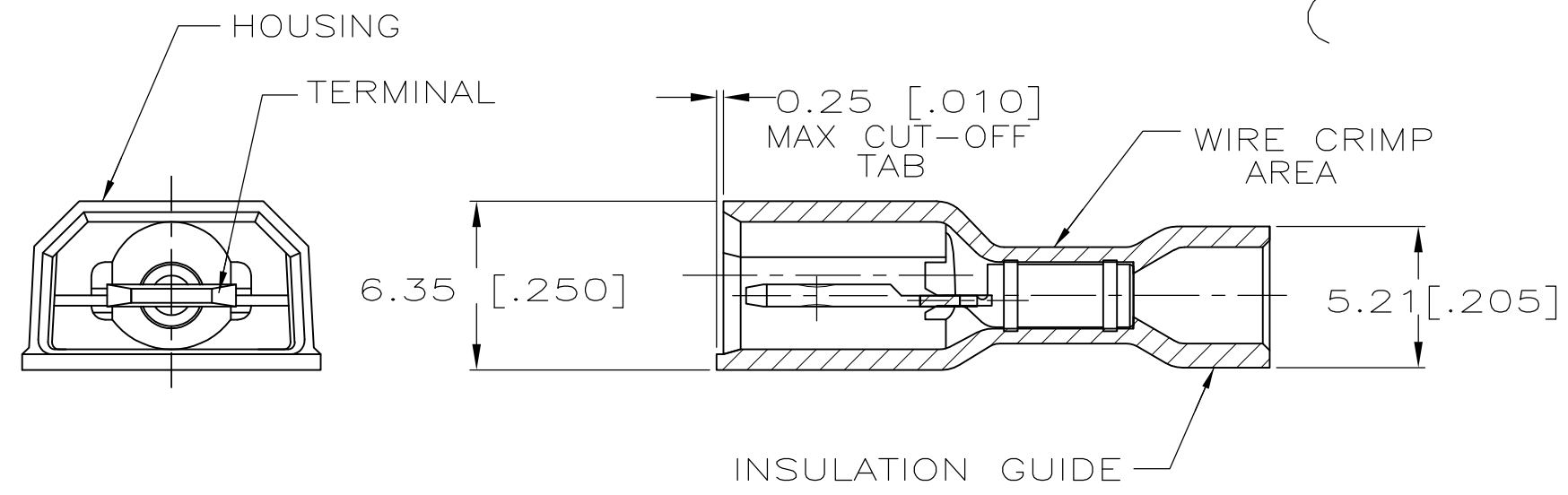


THIS DRAWING IS UNPUBLISHED. RELEASED FOR PUBLICATION
 © COPYRIGHT - By - ALL RIGHTS RESERVED.

LOC	DIST	REVISIONS			
P	LTR	DESCRIPTION	DATE	DWN	APVD
AF	50	C	REVISED PER ECR-13-004343	30JUL13	KH KR



- 1 TAB DIMENSIONS .032±.001x.187
- 2 WIRE STRIP LENGTH .281
- 3 INSULATION SIZE .135 MAX DIA
- 4 SUPPLIED IN LOOSE PIECE.
- 5 DIMENSION DOES NOT INCLUDE TRIM BURR
- 6 0.38[.015] MAX CARRIER TRIM BURR PER SIDE IS ALLOWABLE IN THE SHADED AREA



HOUSING: NYLON, COLOR-RED TRANSLUCENT TAB: BRASS, TIN	2-521105-2
MATERIAL & FINISH	PART NUMBER

THIS DRAWING IS A CONTROLLED DOCUMENT.	
DIMENSIONS: mm [INCHES]	TOLERANCES UNLESS OTHERWISE SPECIFIED:
	0 PLC ± -
	1 PLC ± -
	2 PLC ± 0.38 [.015]
	3 PLC ± -
	4 PLC ± -
ANGLES ± -	
MATERIAL SEE TABLE	FINISH SEE TABLE

DWN JR RUTH 9/25/95	TE Connectivity	NAME TAB ASSEMBLY, ULTRA-FAST, 4.75 [.187] SERIES, 22-18 AWG			
CHK MS FEHER 9/25/95					
APVD J WORMAN 9/25/95					
PRODUCT SPEC 108-2017					
APPLICATION SPEC 114-2123	SIZE A3	CAGE CODE 00779	DRAWING NO C-521105	RESTRICTED TO -	
WEIGHT -	CUSTOMER DRAWING		SCALE 4:1	SHEET 1 OF 1	REV C