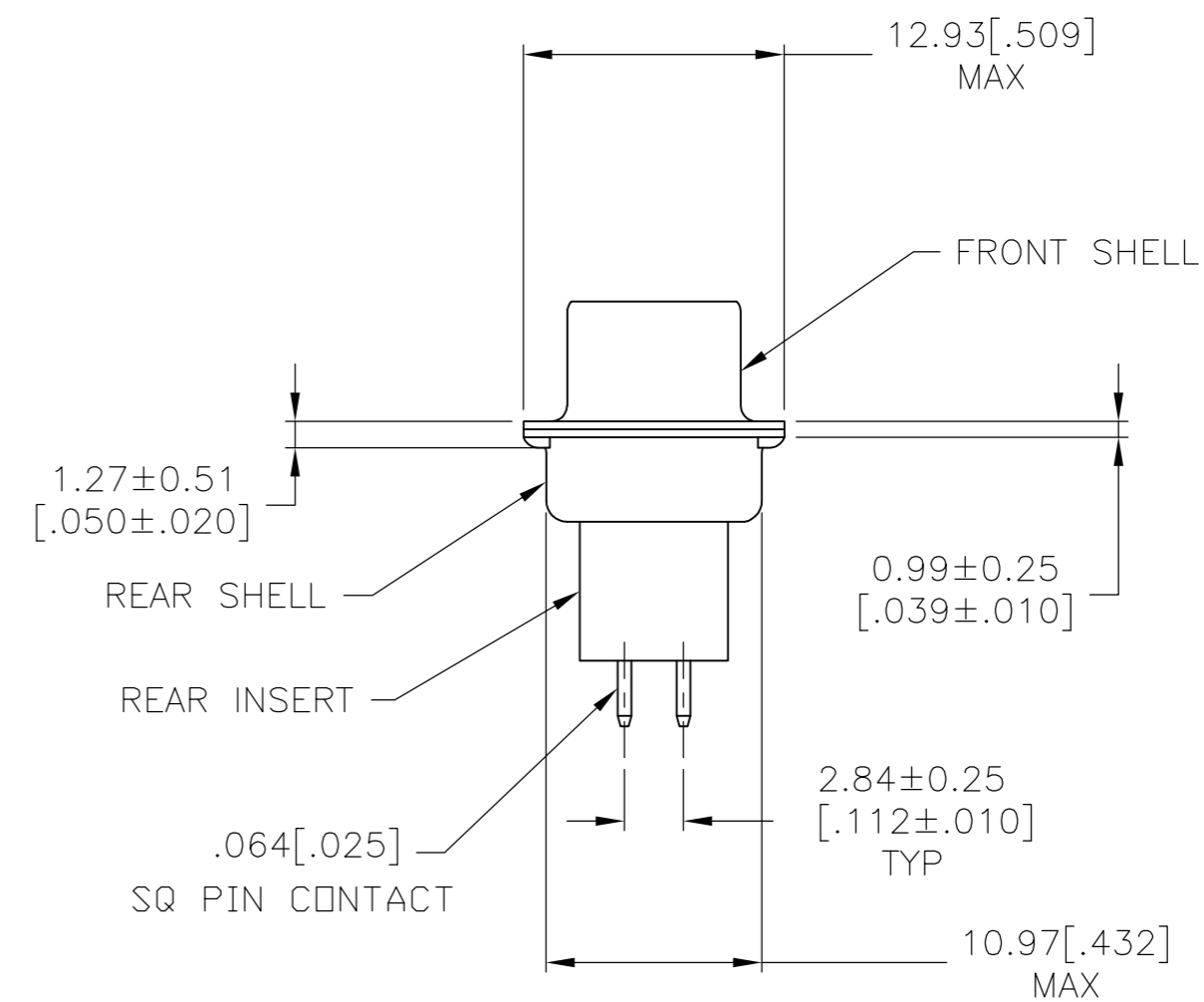
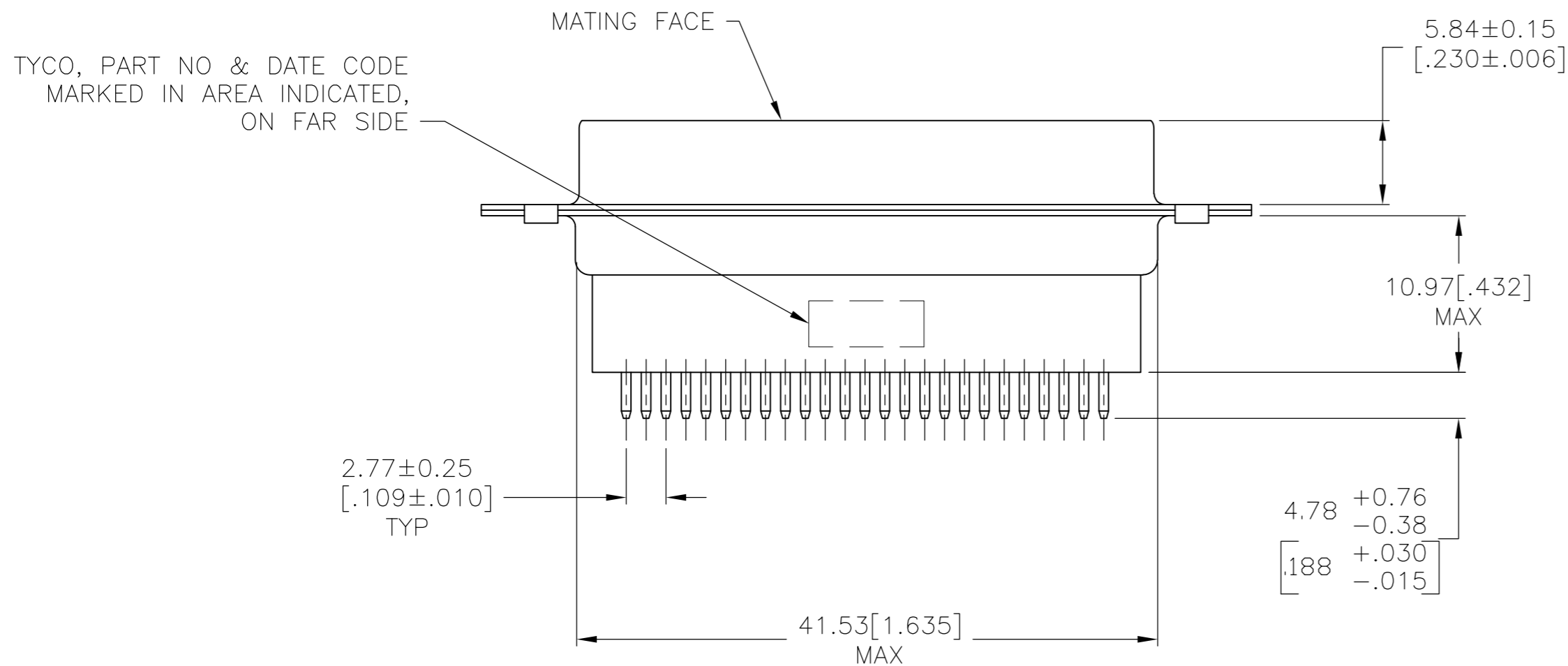
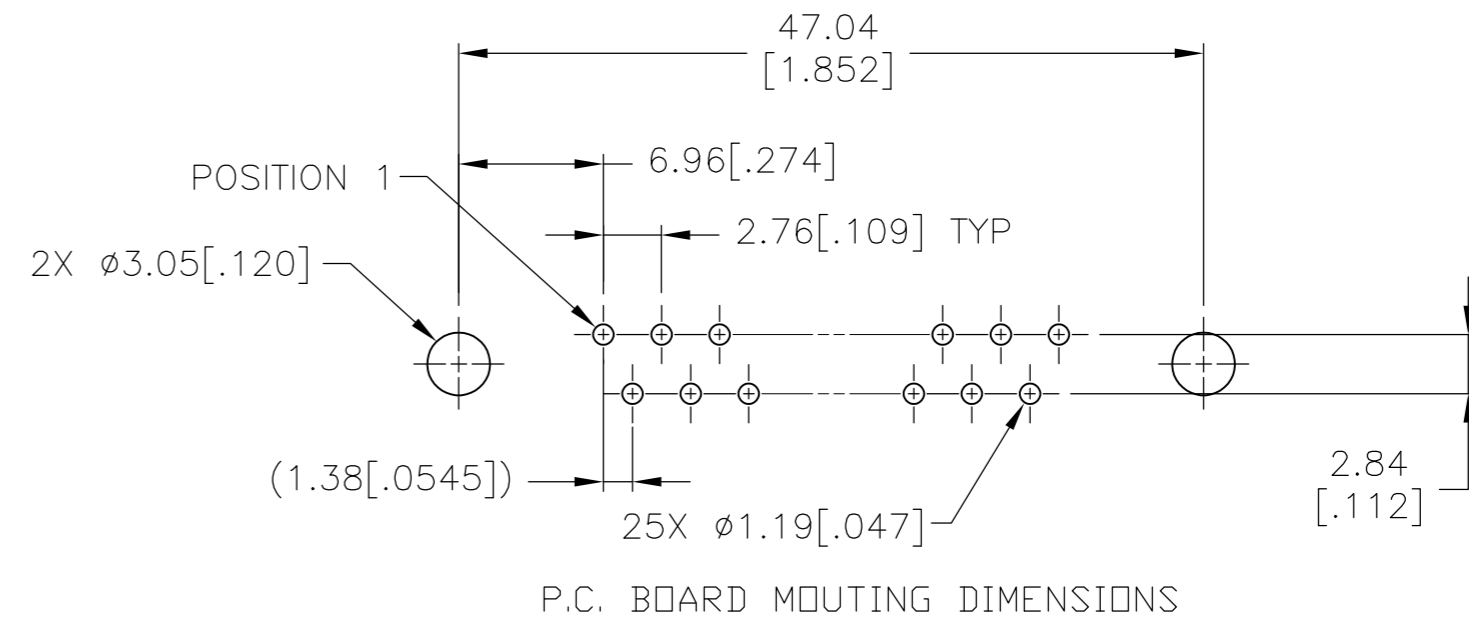
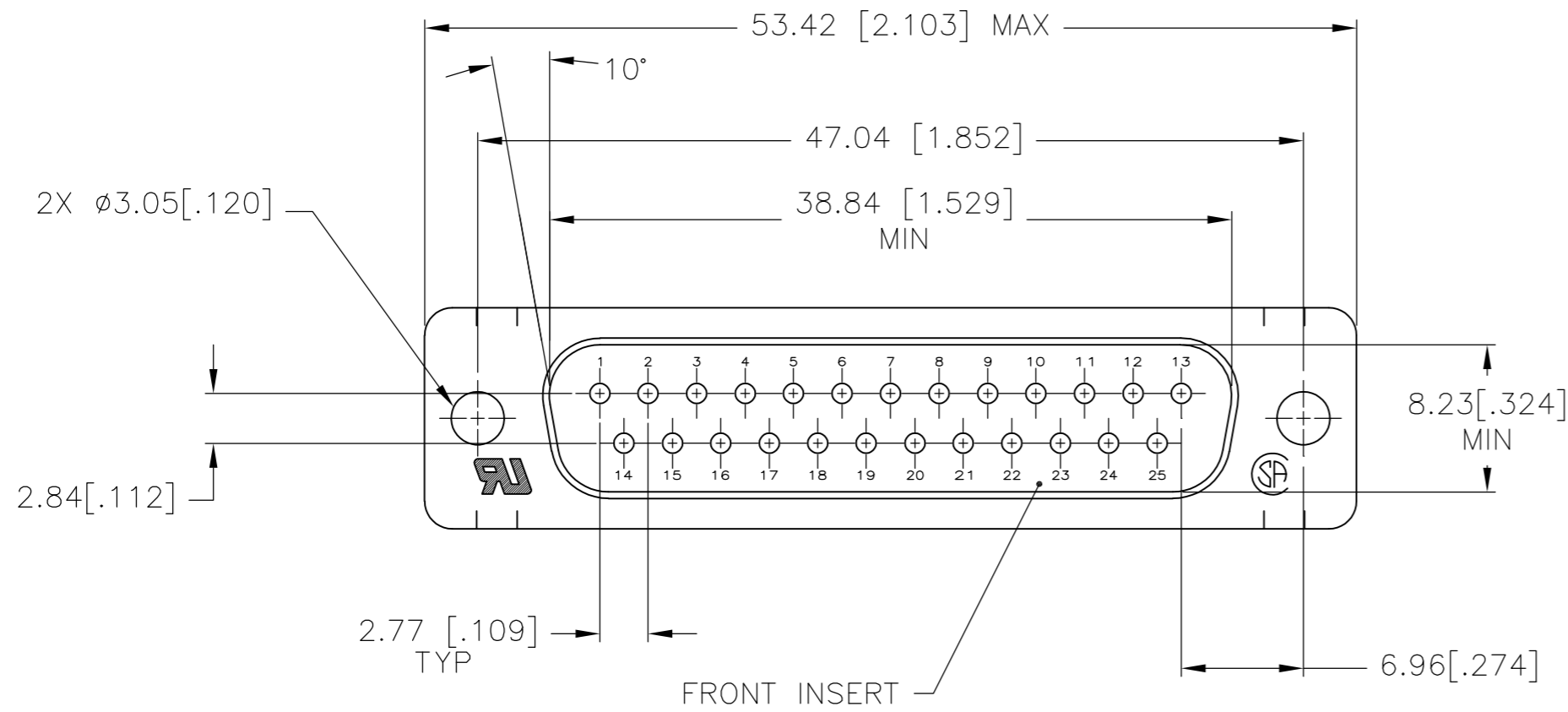


THIS DRAWING IS UNPUBLISHED. RELEASED FOR PUBLICATION
 © COPYRIGHT 2005 By - ALL RIGHTS RESERVED.

LOC		DIST		REVISIONS			
P	LTR	DESCRIPTION	DATE	DWN	APVD		
GP	00						
	D	REVISED PER ECO-14-011808	11AUG2014	AP	SB		



⚠ MOLDED PARTS: GLASS-FILLED PBT OR GLASS-FILLED NYLON, UL94V-0 RATED. COLOR: BLACK.
 SHELLS: CARBON STEEL
 CONTACTS: BRASS

⚠ SHELLS: 5.08 μ m [.000200] MIN ZINC WITH YELLOW CHROMATE COATING.
 CONTACTS: GOLD PLATED FOR LENGTH OF 3.81 [.150] MIN FROM MATING END,
 0.76 μ m [.000030] MIN GOLD IN MATED AREA,
 2.54 μ m [.000100] MIN TIN ON SOLDER END, BOTH OVER
 1.27 μ m [.000050] MIN NICKEL.
 OR
 GOLD FLASH OVER PALLADIUM-NICKEL PLATED FOR LENGTH OF
 3.81 [.150] MIN FROM MATING END,
 0.76 μ m [.000030] MIN TOTAL IN MATED AREA,
 2.54 μ m [.000100] MIN TIN ON SOLDER END, BOTH OVER
 1.27 μ m [.000050] MIN NICKEL.

5205737-7

PART NUMBER

THIS DRAWING IS A CONTROLLED DOCUMENT.		DWN B. LATTUCA 09NOV2005	TE Connectivity	
DIMENSIONS: mm [INCHES]		CHK S. BOLASH 14NOV2005		
TOLERANCES UNLESS OTHERWISE SPECIFIED:		APVD M. WALMSLEY 14NOV2005	NAME	
0 PLC ± - 1 PLC ± - 2 PLC ± - 3 PLC ± - 4 PLC ± - ANGLES ± - FINISH		PRODUCT SPEC 108-40025	PLUG ASSY, SIZE 3, 25 POS, VERTICAL, AMPLIMITE HDP	
MATERIAL 1	FINISH 2	APPLICATION SPEC 114-40013	SIZE A2	CAGE CODE 00779
CUSTOMER DRAWING		WEIGHT -	DRAWING NO C=5205737	RESTRICTED TO -
		SCALE NTS	SHEET 1 of 1	REV D