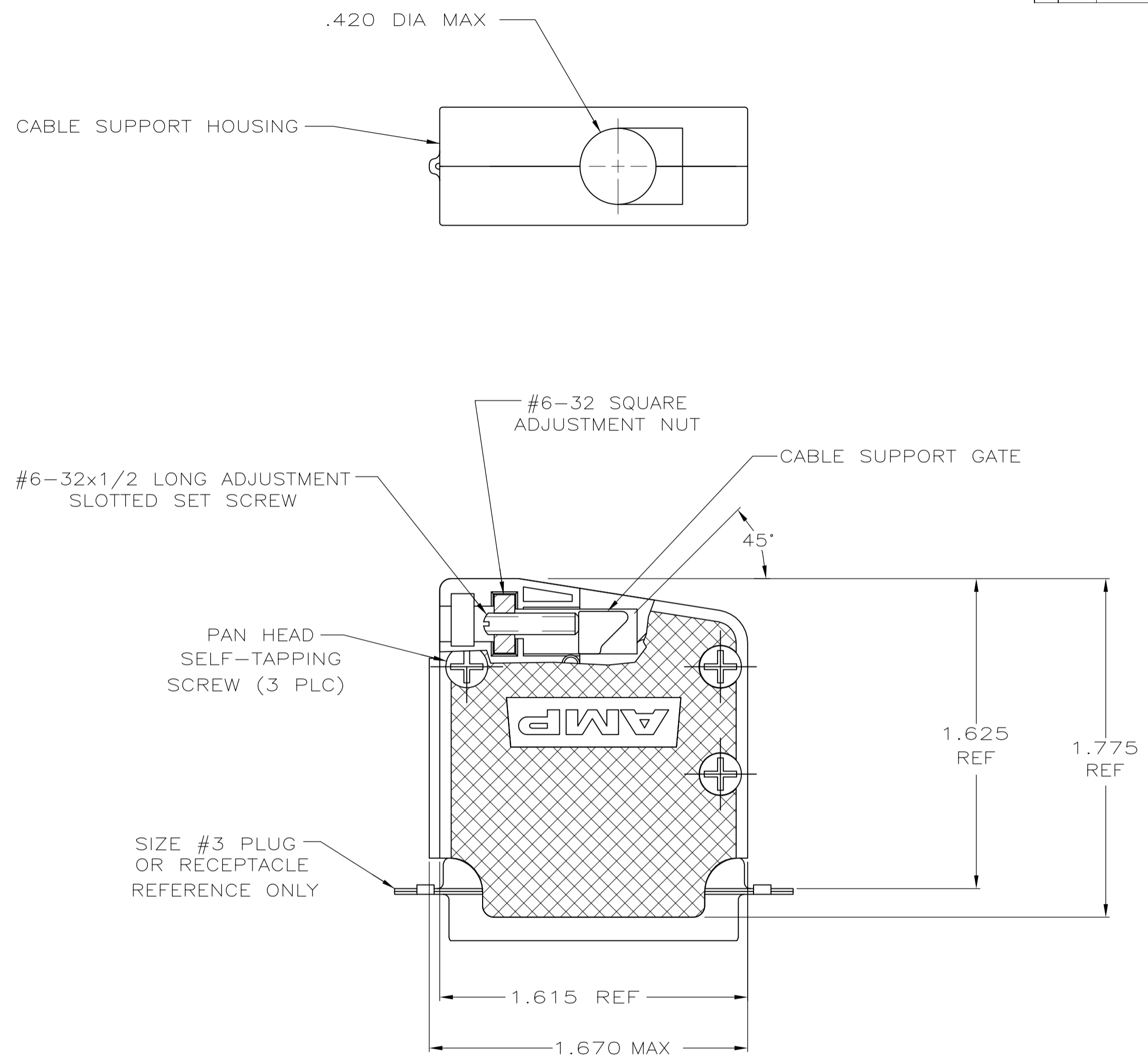


THIS DRAWING IS UNPUBLISHED. RELEASED FOR PUBLICATION  
 © COPYRIGHT - By - ALL RIGHTS RESERVED.

LOC	DIST	REVISIONS			
P	LTR	DESCRIPTION	DATE	DWN	APVD
GP	00	A	REVISED PER ECO-13-009055	03JUN2013	CJV CWR



- ① PARTS PACKAGED UNASSEMBLED AS A UNIT KIT.
- ② PARTS INDIVIDUALLY BULK PACKAGED & SHIPPED AS A UNIT PACKAGE KIT.
- ③ MOLDED PARTS: BLACK POLYPROPYLENE. HARDWARE: COLD ROLLED STEEL.
- ④ HARDWARE: ZINC PLATED CLEAR CHROMATE COATING.

**COPYRIGHT 2005  
 TYCO ELECTRONICS CORP  
 ALL RIGHTS RESERVED**

②	5205718-4
①	5205718-1
PACKAGING	PART NO

THIS DRAWING IS A CONTROLLED DOCUMENT. DIMENSIONING AND TOLERANCING PER ASME Y14.5M-2009		DWN R.RICHARDSON 22AUG05	<b>TE</b> TE Connectivity	
DIMENSIONS: INCHES		CHK C.ROHDE 22AUG05		
TOLERANCES UNLESS OTHERWISE SPECIFIED:		APVD M.WALMSLEY 22AUG05	NAME	
0 PLC ± -		PRODUCT SPEC	SELF TAPPED 45°/180° CAB SUPPORT CLAMSHELL, SIZE ASSEMBLY, AMPLIMITE HD-20	
1 PLC ± -		APPLICATION SPEC	SIZE A2	CAGE CODE 00779
2 PLC ± -		WEIGHT -	DRAWING NO C=5205718	RESTRICTED TO -
3 PLC ± .005		CUSTOMER DRAWING	SCALE 2:1	SHEET 1 of 1
4 PLC ± -			REV A	
4 PLC ANGLES ± 0°30"				