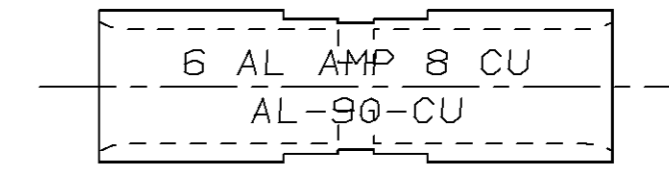
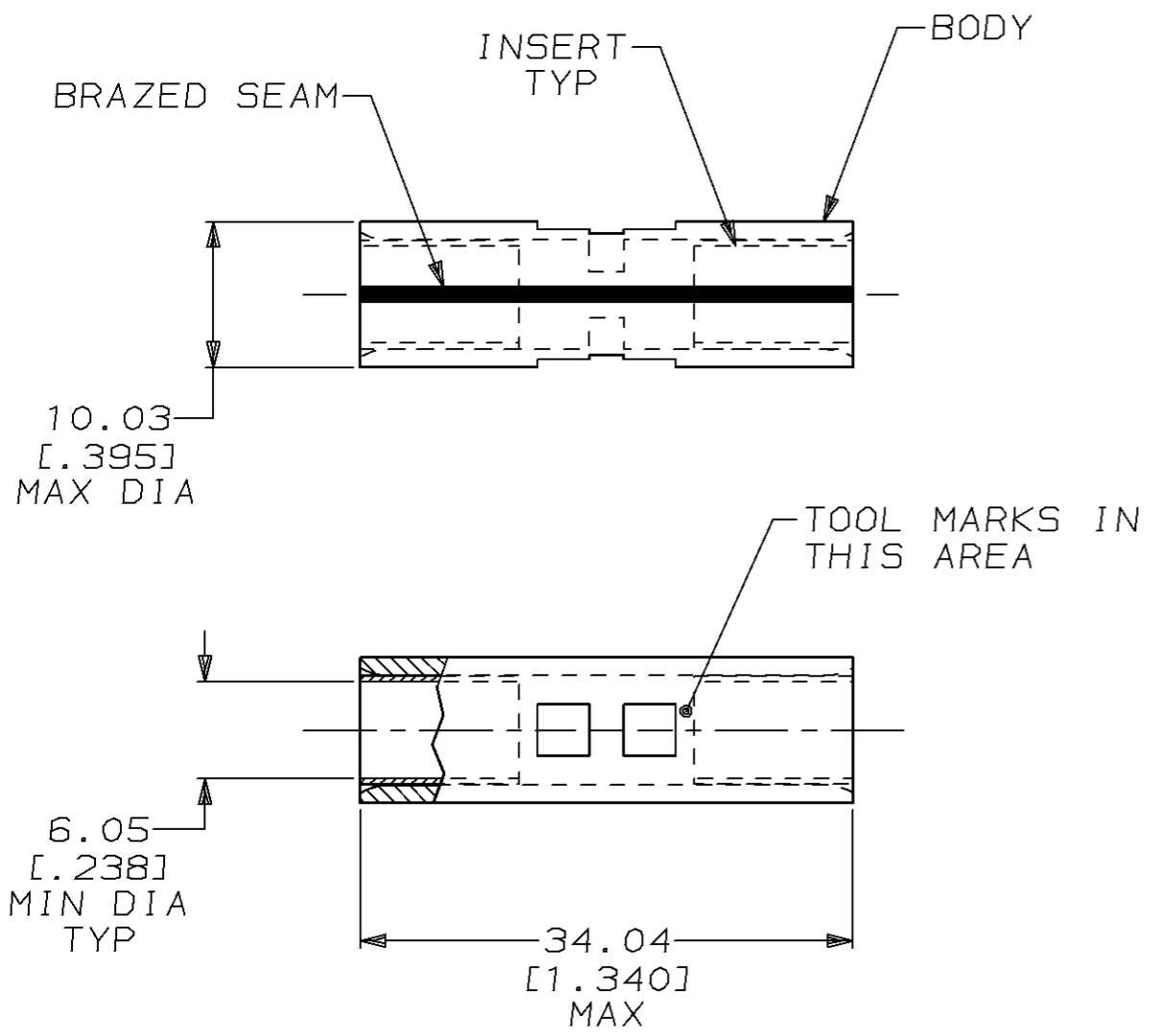
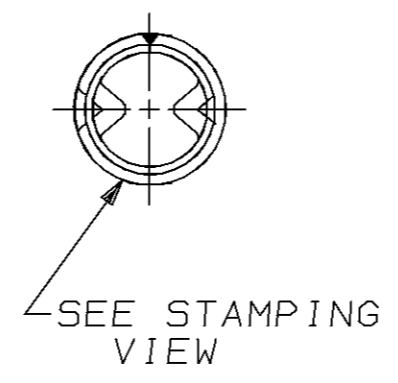


THIS DRAWING IS UNPUBLISHED. RELEASED FOR PUBLICATION ,19 .
 © COPYRIGHT 19 BY AMP INCORPORATED. ALL RIGHTS RESERVED.

LOC	DIST	REVISIONS			
P	LTR	DESCRIPTION	DATE	DWN	APVD
G	14	F	REVISED & REDRAWN PER 0L20-0164-97	13AUG97	DKS MJS



STAMPING VIEW



BODY: COPPER PER ASTM B-301 TIN PL 0.00254 [.000100] MIN THK PER ASTM B-545	51941
INSERT: BRASS PER MIL-C-50 TIN PL 0.00762 [.000300] MIN EXT THK PER ASTM B-545	
MATERIAL & FINISH	AMP PART NUMBER

THIS DRAWING IS A CONTROLLED DOCUMENT FOR AMP INCORPORATED. IT IS SUBJECT TO CHANGE AND THE CONTROLLING ENGINEERING ORGANIZATION SHOULD BE CONTACTED FOR THE LATEST REVISION.		DWN DK SCHRUM 13AUG97	AMP Incorporated Harrisburg, PA 17105-3608											
DIMENSIONS: mm [INCHES]		CHK MJ SPICER 15AUG97												
TOLERANCES UNLESS OTHERWISE SPECIFIED:		APVD JL MECKLEY 15AUG97												
<table border="1"> <tr><td>0 PLC</td><td>±-</td></tr> <tr><td>1 PLC</td><td>±-</td></tr> <tr><td>2 PLC</td><td>±-</td></tr> <tr><td>3 PLC</td><td>±-</td></tr> <tr><td>4 PLC</td><td>±-</td></tr> <tr><td>ANGLES</td><td>±-</td></tr> </table>		0 PLC		±-	1 PLC	±-	2 PLC	±-	3 PLC	±-	4 PLC	±-	ANGLES	±-
0 PLC	±-													
1 PLC	±-													
2 PLC	±-													
3 PLC	±-													
4 PLC	±-													
ANGLES	±-													
MATERIAL SEE TABLE	FINISH SEE TABLE	APPLICATION SPEC -	NAME SPLICE, BUTT, STRANDED/SOLID, COPALUM™, WIRE SIZE: 6AL-8CU											
		WEIGHT -	SIZE A3											
		CUSTOMER DRAWING	CAGE CODE 00779											
			DRAWING NO C-51941											
			SCALE 2:1											
			SHEET 1 OF 1											
			REV F											