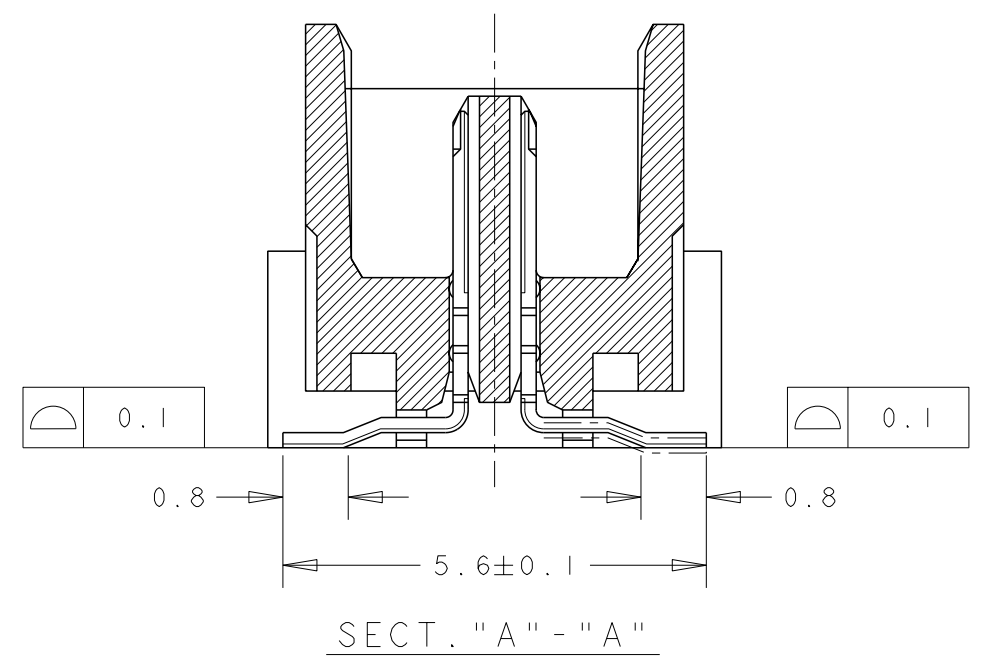
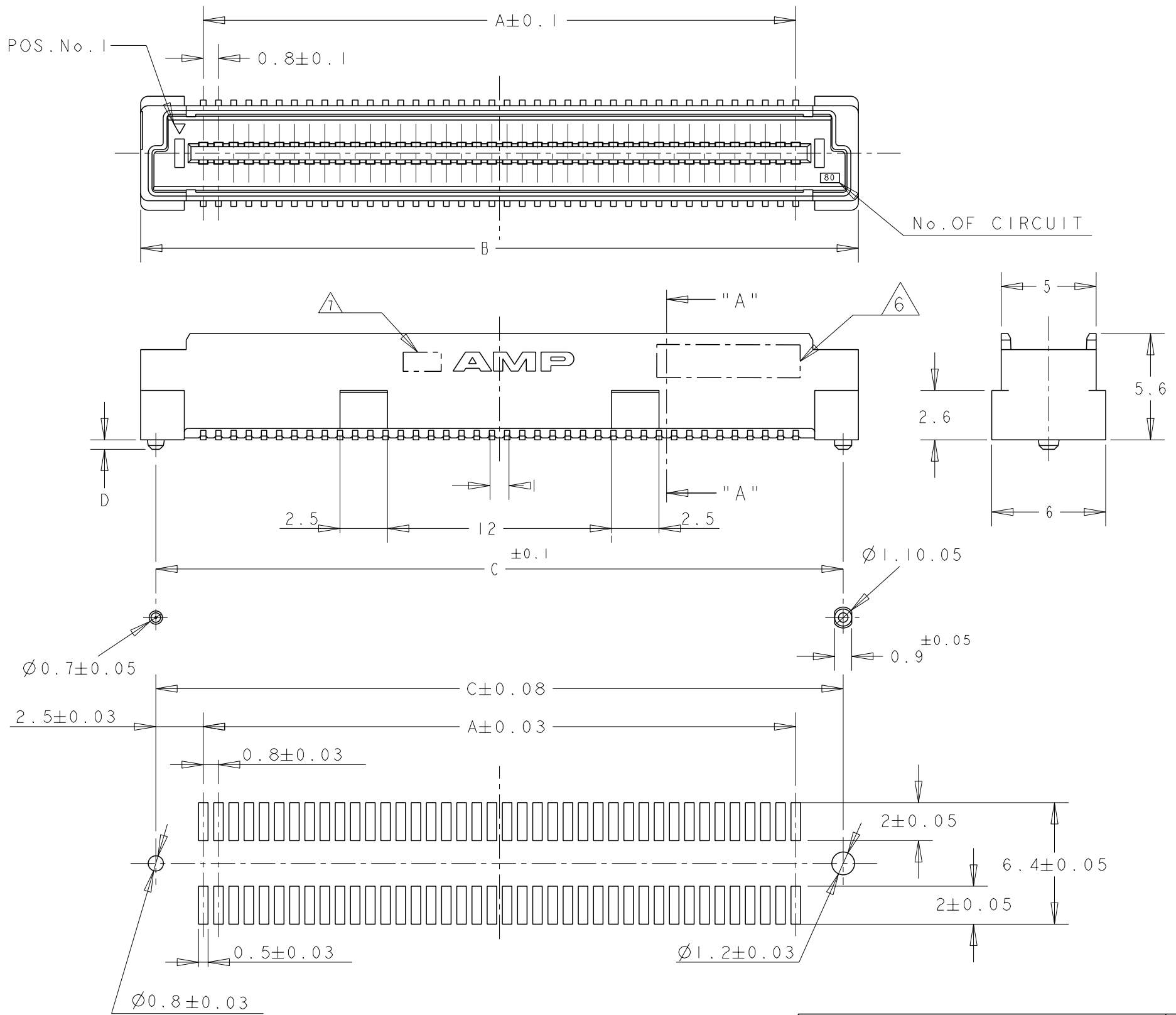


THIS DRAWING IS UNPUBLISHED. RELEASED FOR PUBLICATION 20  
 © COPYRIGHT 20 BY - ALL RIGHTS RESERVED.

REVISIONS				
P	LTR	DESCRIPTION	DATE	APVD
B2		REVISED PER ECR-15-012048	20AUG15	I.T W.H



NOTES:

- 1 MATERIAL:  
HOUSING: L.C.P (HIGH TEMP THERMO PLASTIC)  
UL 94V-0, NATURAL.  
CONTACT: BRASS.
- 2 FINISH:  
CONTACT AREA: 0.0002 MIN GOLD ON  
0.0013 MIN ALL OVER NICKEL.  
SOLDERING AREA: 0.002 MIN MATTE-TIN.
- 3. POSITION SERIES: SEE TABLE.
- 4. CONN STACK HEIGHT COMBINE OF PLUG "Y" H VS REC "X" H.  
STACK HEIGHT = Y + X - 5
- 5 OBSOLETE PARTS: OBSOLETE CIS STREAMINING PER  
D.RENAUD/D.SINISI.
- 6 DATE CODE MARKING
- 7 MANUFACTURE PLANT LOCATION MARK. QINGDAO:

P/N SEE SHEET 2 OF 2.

RECOMMENDED P.C. BOARD LAYOUT

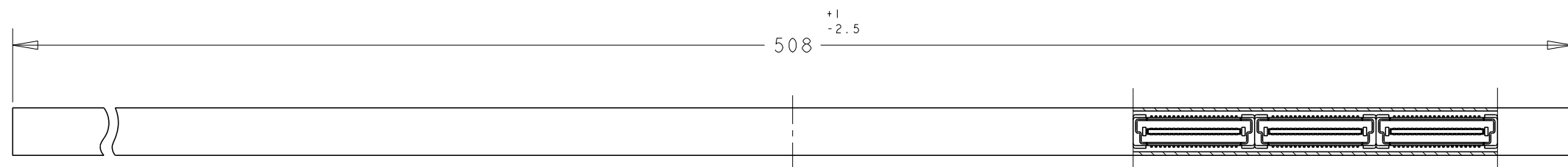
THIS DRAWING IS A CONTROLLED DOCUMENT.		DWN FLORENCE TAN 30AUG04	TE Connectivity	
DIMENSIONS: mm		CHK ERIC TNG		
TOLERANCES UNLESS OTHERWISE SPECIFIED:		APVD SE LONG	NAME PLUG ASSEMBLY 6H TYPE (0.5 AND 0.8 BOSS LENGTH) FOR FH 0.8MM PITCH B-T-B CONNECTOR	
0 PLC ± 1 PLC ±0.30 2 PLC ±0.25 3 PLC ±0.20 4 PLC ± ANGLES ±3°		PRODUCT SPEC 108-5390	SIZE A3	
MATERIAL		APPLICATION SPEC 114-5254	CAGE CODE -	DRAWING NO C-5179029
FINISH		WEIGHT -	RESTRICTED TO -	
		CUSTOMER DRAWING		SCALE 4:1
		SHEET 1 OF 2		REV B2

PROJ NO. 593-335

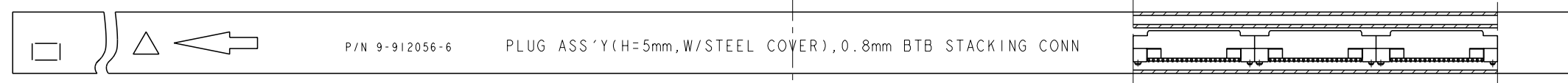
A

THIS DRAWING IS UNPUBLISHED. RELEASED FOR PUBLICATION 20  
 © COPYRIGHT 20 BY - ALL RIGHTS RESERVED.

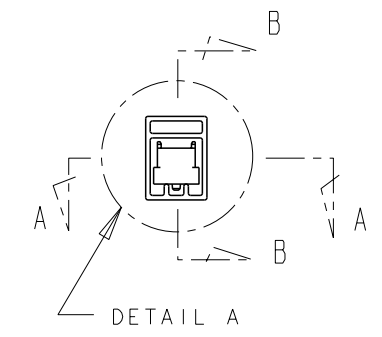
REVISIONS					
P	LTR	DESCRIPTION	DATE	DWN	APVD
		SEE SHEET 1 OF 2			



SECT A-A

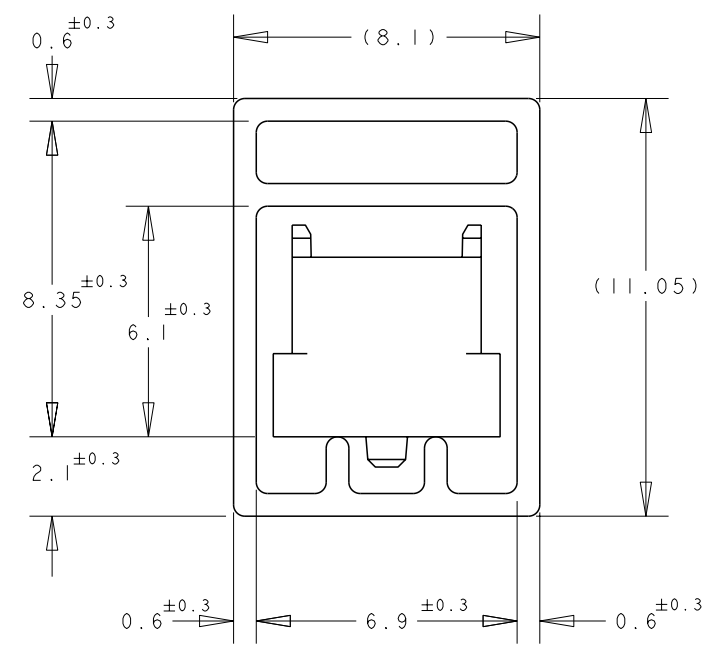


SECT B-B



REFERENCE PICTURE OF TUBE PACK

P/N 9-912056-6 PLUG ASS'Y (H=5mm, W/STEEL COVER), 0.8mm BTB STACKING CONN



DETAIL "B" (SCALE 5-1)

5	12	0.8	36.2	37.8	31.2	80	3	3
5	16	0.8	28.2	29.8	23.2	60	3	2
5	22	0.8	20.2	21.8	15.2	40	3	1
	5	0.5	84.2	85.8	79.2	200	1-	-0
	6		76.2	77.8	71.2	180		-9
	6		68.2	69.8	63.2	160		-8
	7		60.2	61.8	55.2	140		-6
	9		52.2	53.8	47.2	120		-5
	10		44.2	45.8	39.2	100		-4
	12		36.2	37.8	31.2	80		-3
	16		28.2	29.8	23.2	60		-2
	22	0.5	20.2	21.8	15.2	40		5179029-1
QTY/TUBE	D	C	B	A	POS.	CONN P/N		

THIS DRAWING IS A CONTROLLED DOCUMENT.		DWN 30AUG04 FLORENCE TAN	<b>TE</b> TE Connectivity			
DIMENSIONS: mm		CHK ERIC TNG				
TOLERANCES UNLESS OTHERWISE SPECIFIED:		APVD SE LONG	NAME PLUG ASSEMBLY 6H TYPE (0.5 AND 0.8 BOSS LENGTH) FOR FH 0.8MM PITCH B-T-B CONNECTOR			
0 PLC ±- 1 PLC ±0.30 2 PLC ±0.25 3 PLC ±0.20 4 PLC ± ANGLES ±3°		PRODUCT SPEC 108-5390	SIZE A3	CAGE CODE -	DRAWING NO C-5179029	RESTRICTED TO -
MATERIAL		APPLICATION SPEC 114-5254	SCALE 4:1		SHEET 2 OF 2	REV B2
FINISH		WEIGHT -	CUSTOMER DRAWING			