

4 3 2 1

© TE Connectivity. All Rights Reserved.

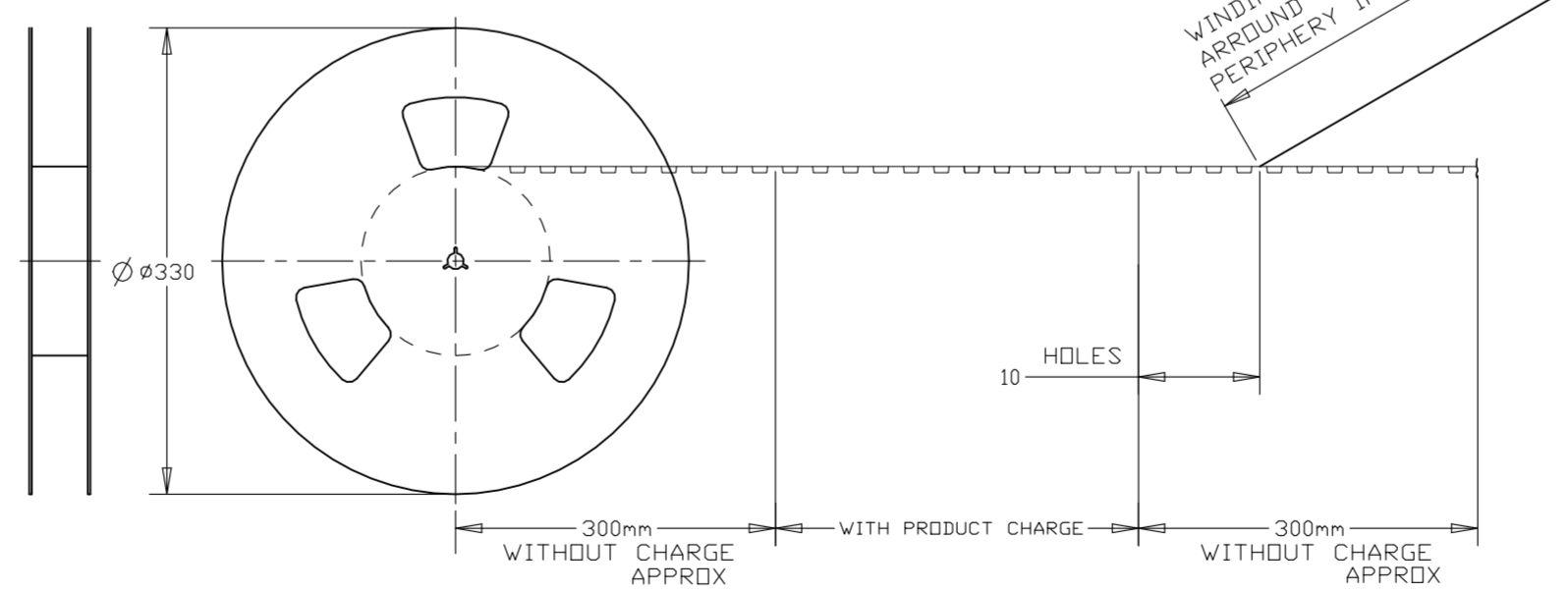
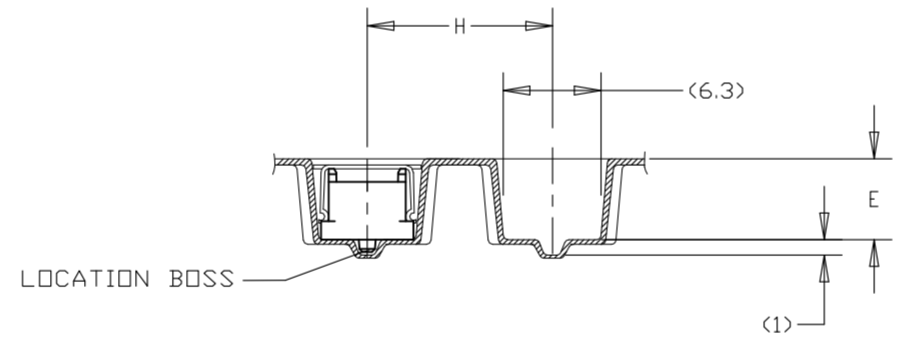
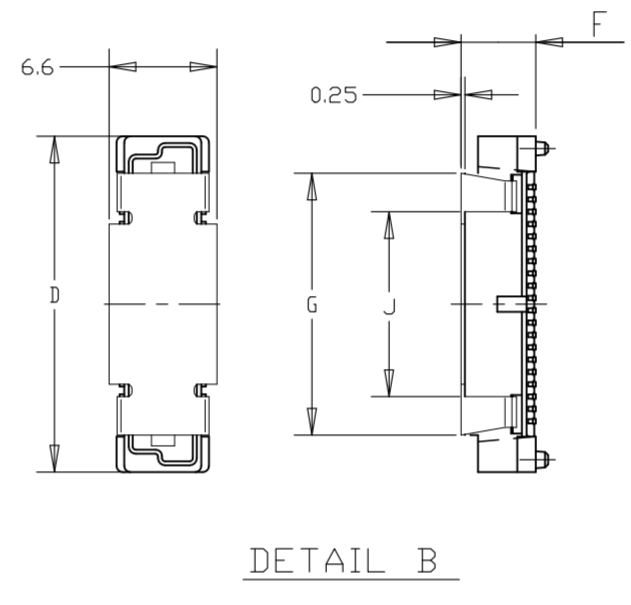
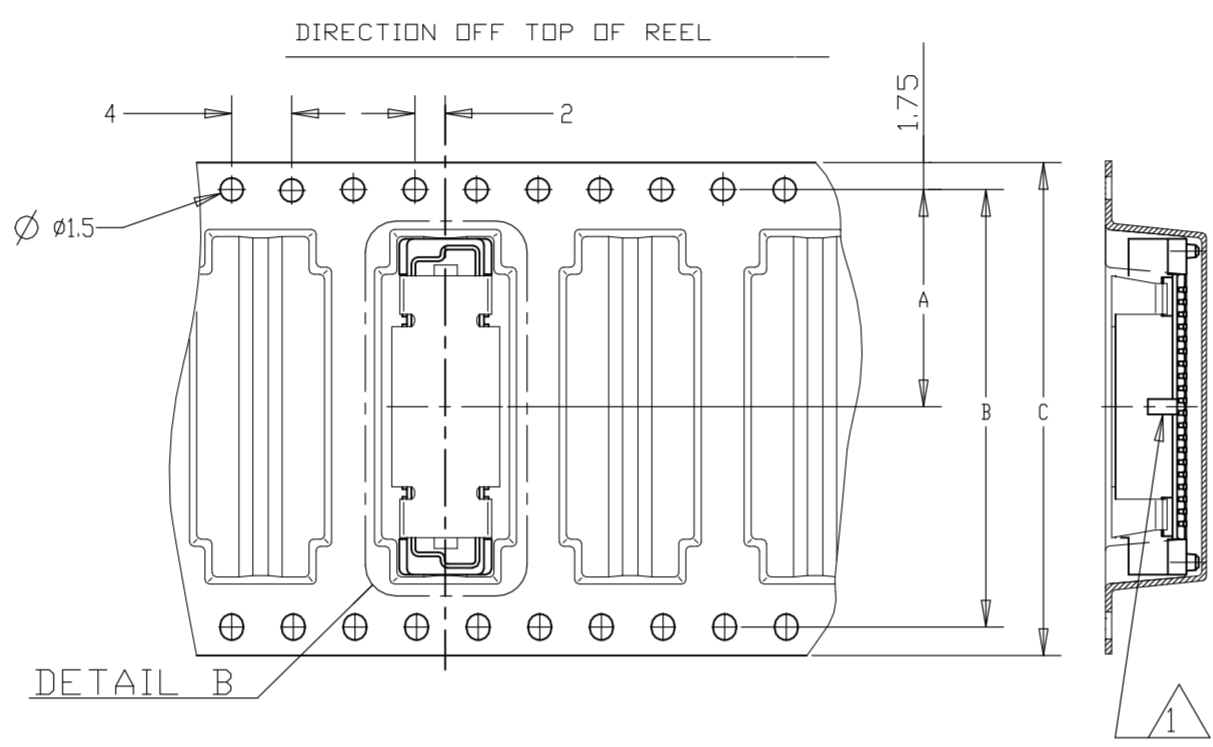
- Notes:
- 1 CUTOUT FEATURE AVAILABLE ONLY ON 5H ASSY P/N -1 (40P) AND -2 (60P).
 - 2 0.00038 MIN GOLD PLATING (15u INCHES GOLD PLATING)
 - 3 CONNECTOR DIMENSIONS REFERENCED FROM DRAWING WHICH CONN. P/Ns BASED
 - 4 CONNECTOR WITH BLACK HOUSING
 - 5 MATERIAL: HOUSING: L.C.P UL 94-V0. COLOR: NATURAL EXCEPT FOR NOTE 4 CONTACT: BRASS

LOW HALOGEN

STEEL COVER

REVISIONS					
P	LTR	DESCRIPTION	DATE	DWN	APVD
F10		REVISED PER ECN-23-219854	30JULY2023	A.L	H.L

REMARKS	QTY	HEIGHT TYPE	0.00076 MIN GOLD PLATING (30u INCHES GOLD PLATING)										POS	SALEABLE PART NO.					
			Y	X	J	H	G	F	E	D	C	B			A				
			900	5H	1.2	4.6	12	12	17	4.85	5.25	29.8	44	40.4	20.2	60	5177986-7		
			450				16					61.8	88	84.4	42.2	140	7-	-6	
			700	7H	3.6	6.6	12		6.85	7.25	21.8	32	28.4	14.2	40	7-5177986-1			
			550				16				69.8	88	84.4	42.2	140	6-	-8		
			800	6H	2.6	5.6	12		5.85	6.25	21.8	32	28.4	14.2	40	6-5177986-1			
			650				16				61.8	88	84.4	42.2	140	5-	-8		
			900	5H	1.2	4.6	12	12	17	4.85	5.25	21.8	32	28.4	14.2	40	5-5177986-1		
			550	6H	2.6	5.6	12	16	17	5.85	6.25	69.8	88	84.4	42.2	160	9-5177986-8		
			550	6H	2.6	5.6	12	16	17	5.85	6.25	53.8	72	68.4	34.2	120	9-5177986-5		
			550	6H	2.6	5.6	12	16	17	5.85	6.25	61.8	88	84.4	42.2	140	9-5177986-2		
			800	6H	2.6	5.6	12	12	17	5.85	6.25	37.8	56	52.4	26.2	80	9-5177986-1		
			900	5H	1.2	4.6	12	12	17	4.85	5.25	37.8	56	52.4	26.2	80	8-5177986-3		
			450	7H	3.6	6.6	12	16	17	6.85	7.25	53.8	72	68.4	34.2	120	4-5177986-5		
			400				16				77.8	104	100.4	50.2	200	4-	-0		
			600	8H	4.6	7.6	12		7.85	8.25	21.8	32	28.4	14.2	40	3-5177986-1			
			450				16				69.8	88	84.4	42.2	140	2-	-8		
			700				12				61.8	88	84.4	42.2	140	2-	-6		
			500	7H	3.6	6.6	16		6.85	7.25	21.8	32	28.4	14.2	40	2-5177986-0			
			550				16				69.8	88	84.4	42.2	140	1-	-6		
			800	6H	2.6	5.6	12		5.85	6.25	21.8	32	28.4	14.2	40	1-5177986-1			
			650				16				61.8	88	84.4	42.2	140	1-	-5		
			900	5H	1.2	4.6	12	12	17	4.85	5.25	21.8	32	28.4	14.2	40	5177986-1		



WINDING THE COVER TAPE AROUND THE OUTER PERIPHERY IN A TURN.

PRELIMINARY

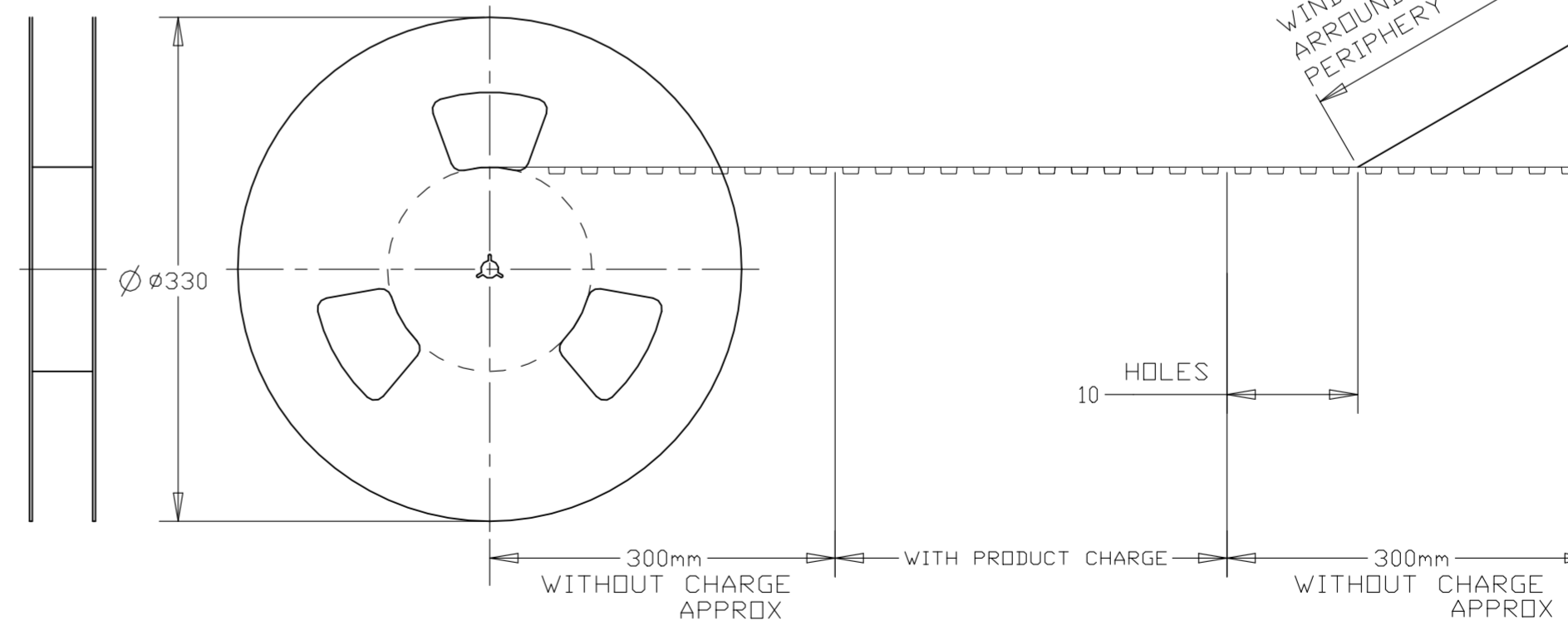
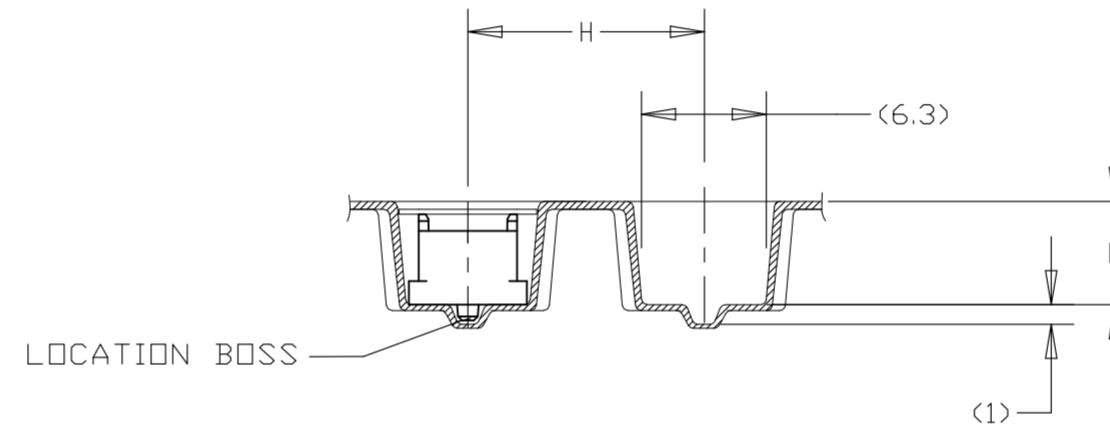
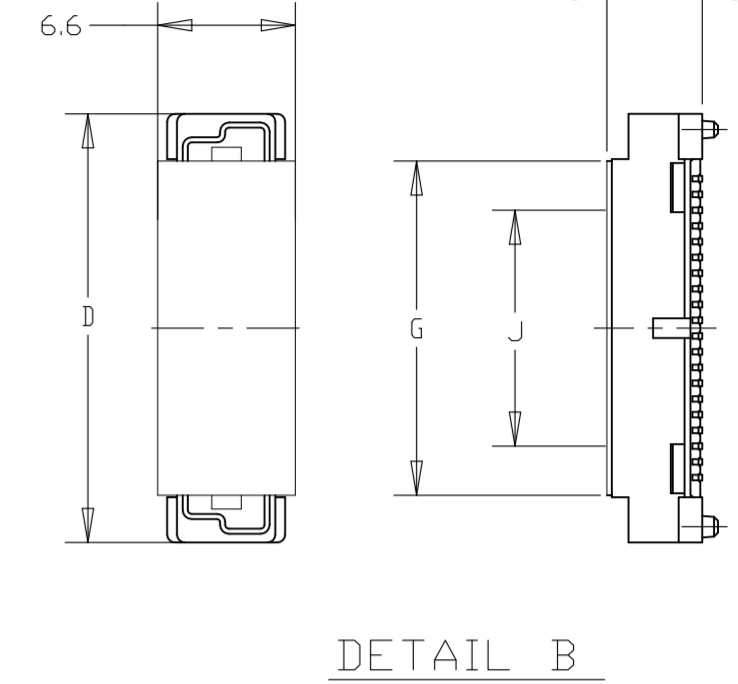
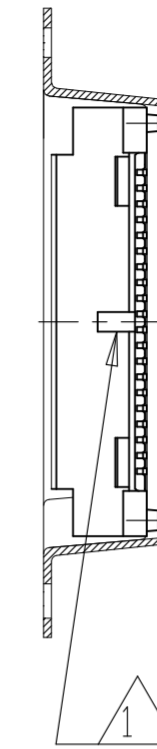
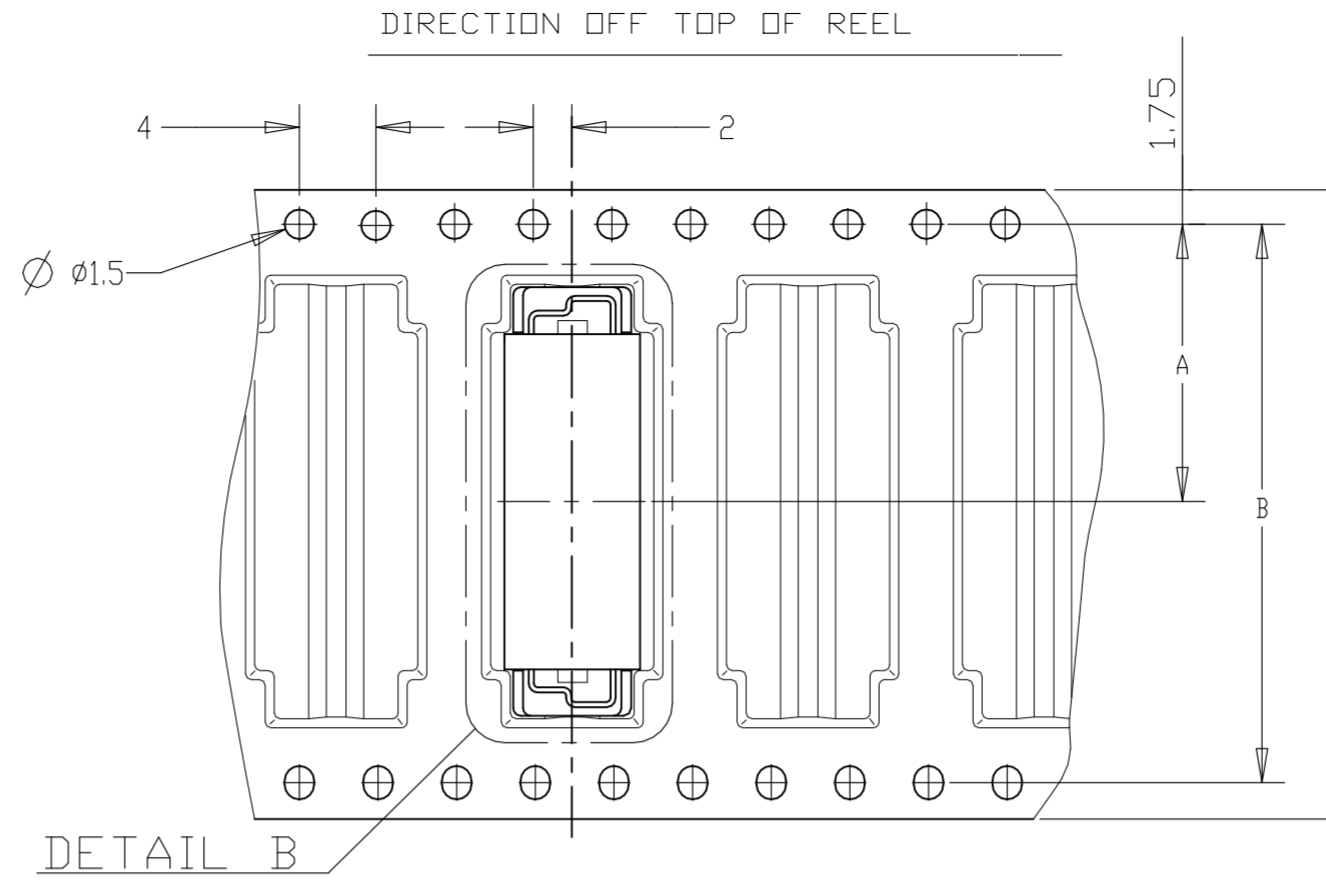
THIS DRAWING IS A CONTROLLED DOCUMENT.		DWN FLORENCE TAN 30AUG2004		TE Connectivity Ltd.	
CHK ERIC TNG 30MAY2012		APVD SE LEONG 30MAY2012		NAME	
DIMENSIONS: mm		TOLERANCES UNLESS OTHERWISE SPECIFIED:		PRODUCT SPEC	
0 PLC ± -		1 PLC ± 0.2		108-5390	
2 PLC ± 0.15		3 PLC ± 0.1		APPLICATION SPEC	
4 PLC ± -		ANGLES ± °		SIZE CAGE CODE DRAWING NO	
MATERIAL SEE NOTE		FINISH SEE NOTE		RESTRICTED TO	
WEIGHT -		A2 00779		C-5177986	
CUSTOMER DRAWING		SCALE 1:1		SHEET 1 OF 5	
				REV F10	

REVISIONS					
P	LTR	DESCRIPTION	DATE	DWN	APVD
-	-	SEE SHEET 1	-	-	-

LOW HALOGEN

POLYIMIDE COVER

Notes:
 6 0.0002 MIN GOLD PLATING
 (7.8u INCHES GOLD PLATING)



WINDING THE COVER TAPE
 AROUND THE OUTER
 PERIPHERY IN A TURN.

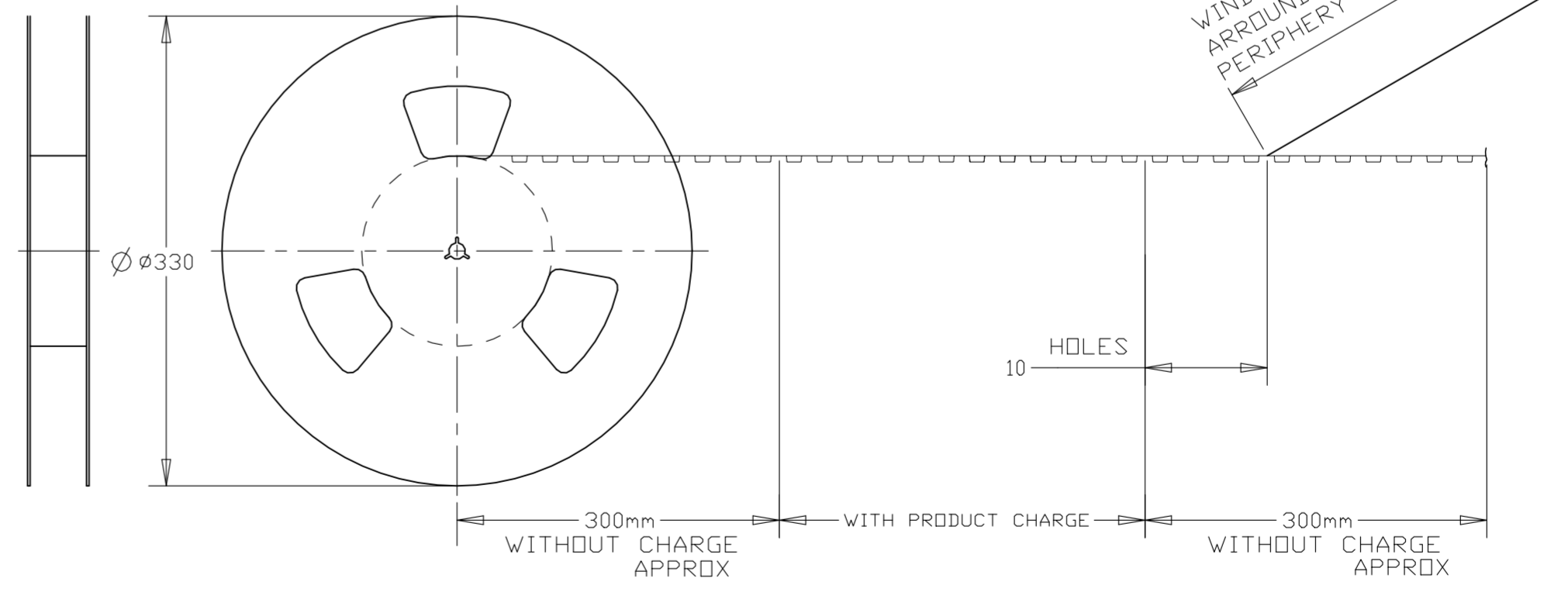
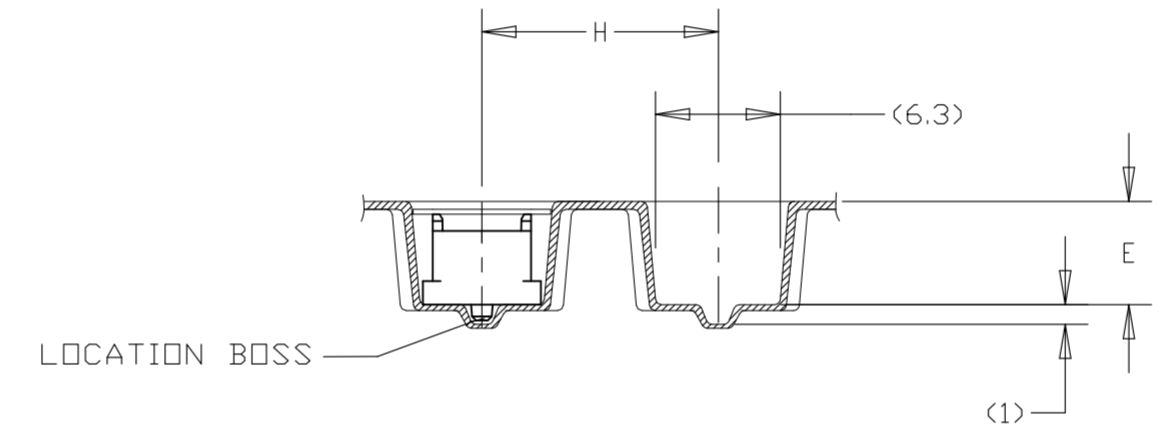
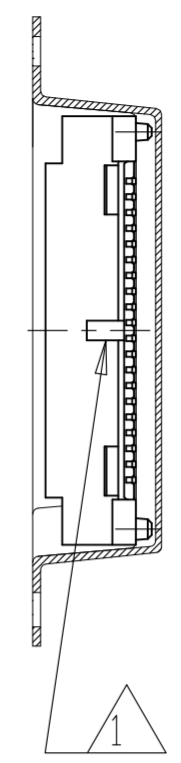
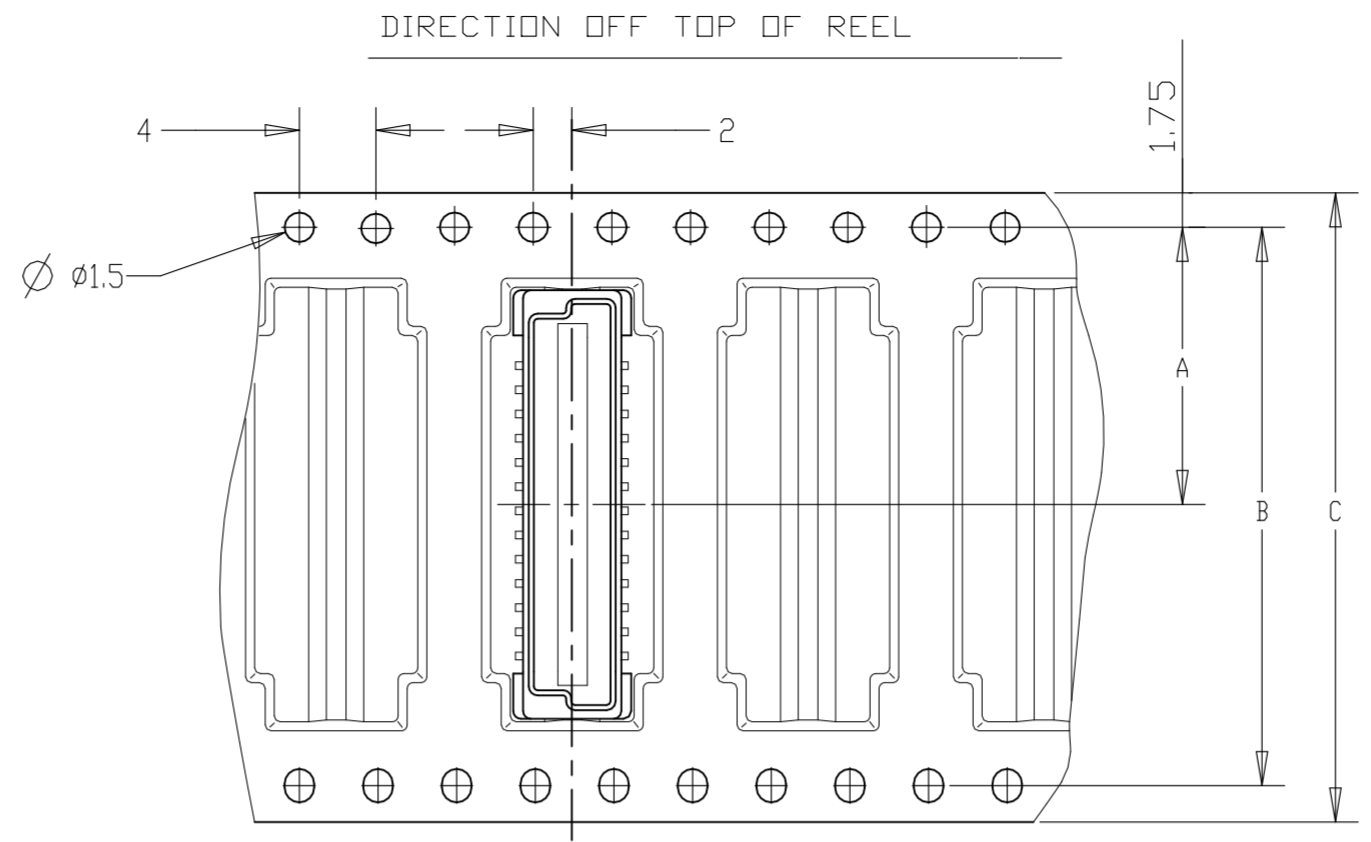
800	6H	2.6	5.6	12	12	17	5.85	6.25	37.8	56	52.4	26.2	80	9-5177986-3	
650	5H	1.2	4.6	12	16	17	4.85	5.25	61.8	88	84.4	42.2	140	9-5177986-6	
REMARKS	QTY	HEIGHT TYPE	Y	X	J	H	G	F	E	D	C	B	A	POS	SALEABLE PART NO.

THIS DRAWING IS A CONTROLLED DOCUMENT.		DWN FLORENCE TAN 30AUG2004	TE Connectivity Ltd.	
DIMENSIONS: mm		CHK ERIC TNG 30MAY2012		
TOLERANCES UNLESS OTHERWISE SPECIFIED:		APVD SF LEONG 30MAY2012	NAME PLUG ASSEMBLY, FH 0.8 ON TAPING (EMBOSS) 0.5 BOSS LENGTH	
0 PLC ± -		PRODUCT SPEC 108-5390	SIZE A2	
1 PLC ± 0.2		APPLICATION SPEC	CAGE CODE 00779	
2 PLC ± 0.15		WEIGHT -	DRAWING NO C=5177986	
3 PLC ± 0.1		MATERIAL SEE NOTE	RESTRICTED TO -	
4 PLC ± -		FINISH SEE NOTE	SCALE 1:1	
ANGLES ± 3°		CUSTOMER DRAWING	SHEET 2 of 5	
			REV F10	

REVISIONS					
P	LTR	DESCRIPTION	DATE	DWN	APVD
-	-	SEE SHEET 1	-	-	-

LOW HALOGEN
WITHOUT COVER

Notes:
2 0.00038 MIN GOLD PLATING
(15μ INCHES GOLD PLATING)



REMARKS	QTY	HEIGHT TYPE	Y	X	H	E	C	B	A	POS	SALEABLE PART NO.
	650	5H	1.2	4.6	16	5.25	88	84.4	42.2	160	8-5177986-8
	650	5H	1.2	4.6	16	5.25	72	68.4	34.2	120	8-5177986-5

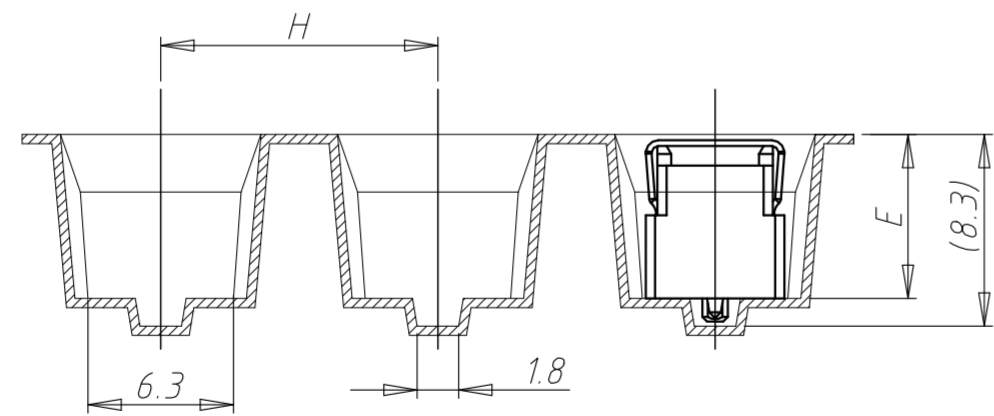
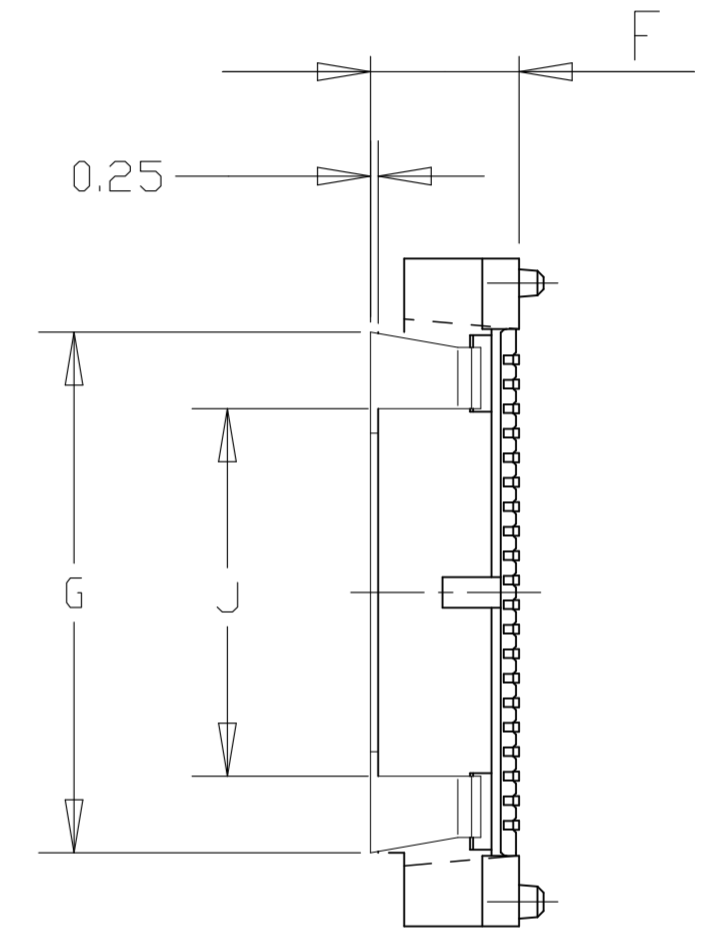
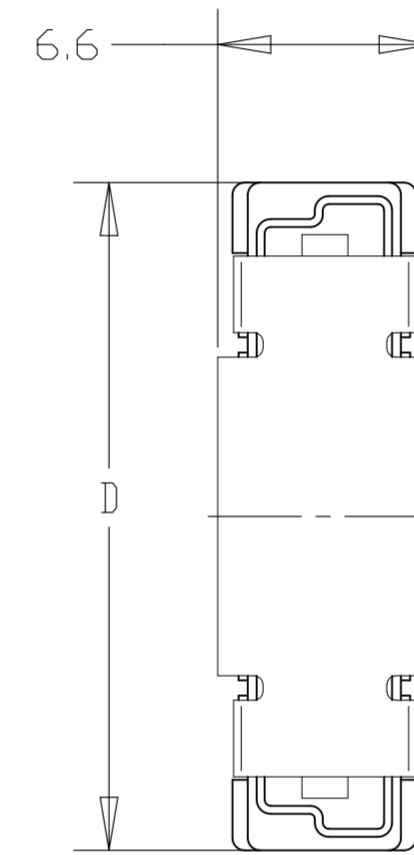
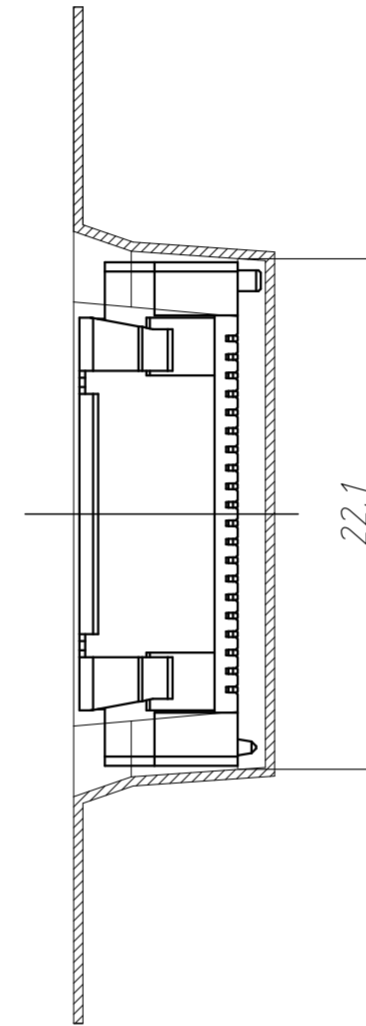
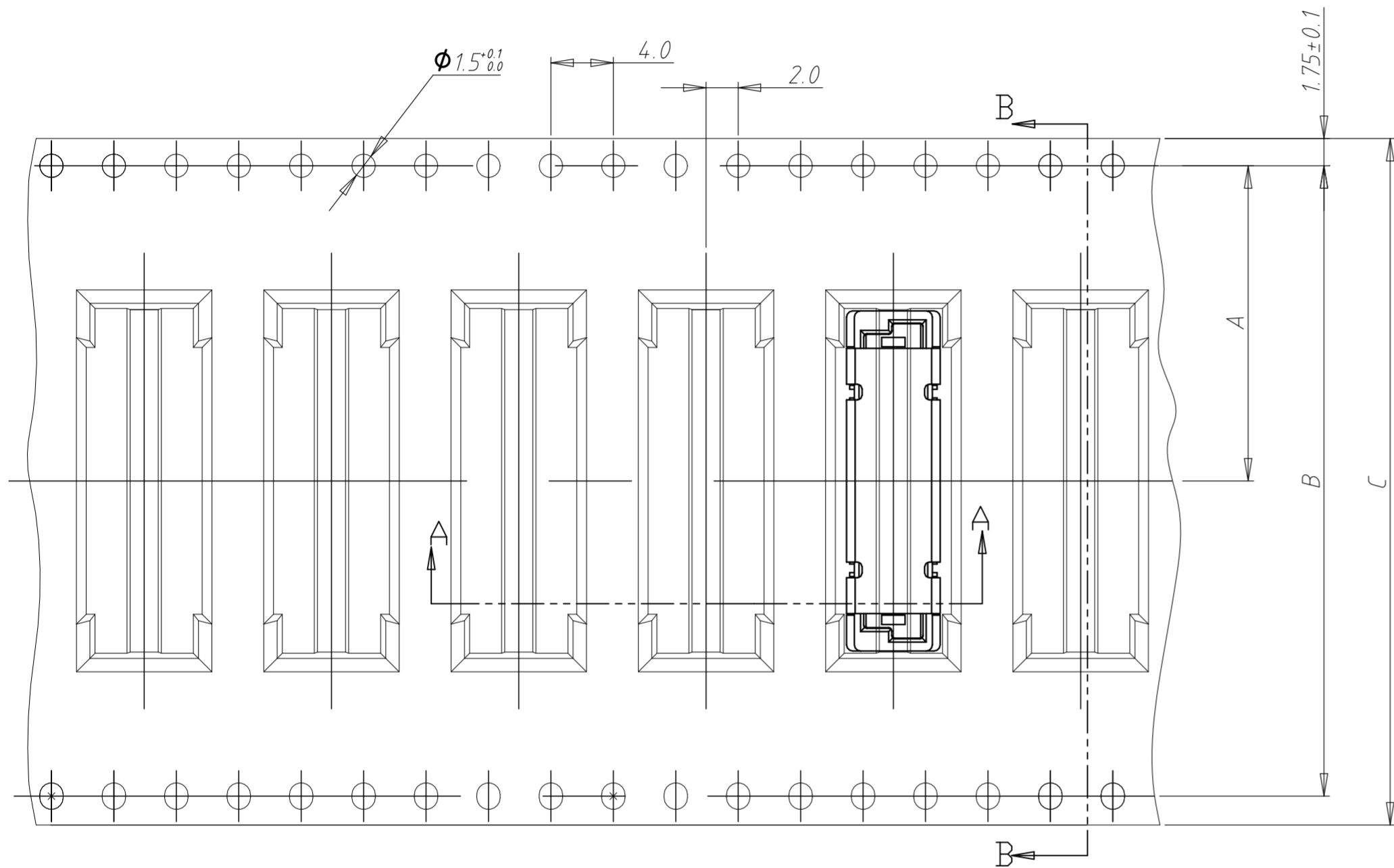
THIS DRAWING IS A CONTROLLED DOCUMENT.

DWN FLORENCE TAN 30AUG2004	TE Connectivity Ltd.
CHK ERIC TNG 30MAY2012	
APVD SF LEONG 30MAY2012	
PRODUCT SPEC 108-5390	
MATERIAL SEE NOTE	NAME PLUG ASSEMBLY, FH 0.8 ON TAPING (EMBOSS) 0.5 BOSS LENGTH
FINISH SEE NOTE	SIZE A2
	CAGE CODE 00779
	DRAWING NO C=5177986
	RESTRICTED TO -
	SCALE 1:1
	SHEET 3 of 5
	REV F10

REVISIONS					
P	LTR	DESCRIPTION	DATE	DWN	APVD
-	-	SEE SHEET 1	-	-	-

LOW HALOGEN
WITH COVER

USER DIRECTION OF UNREELING →



A-A

B-B

5177986

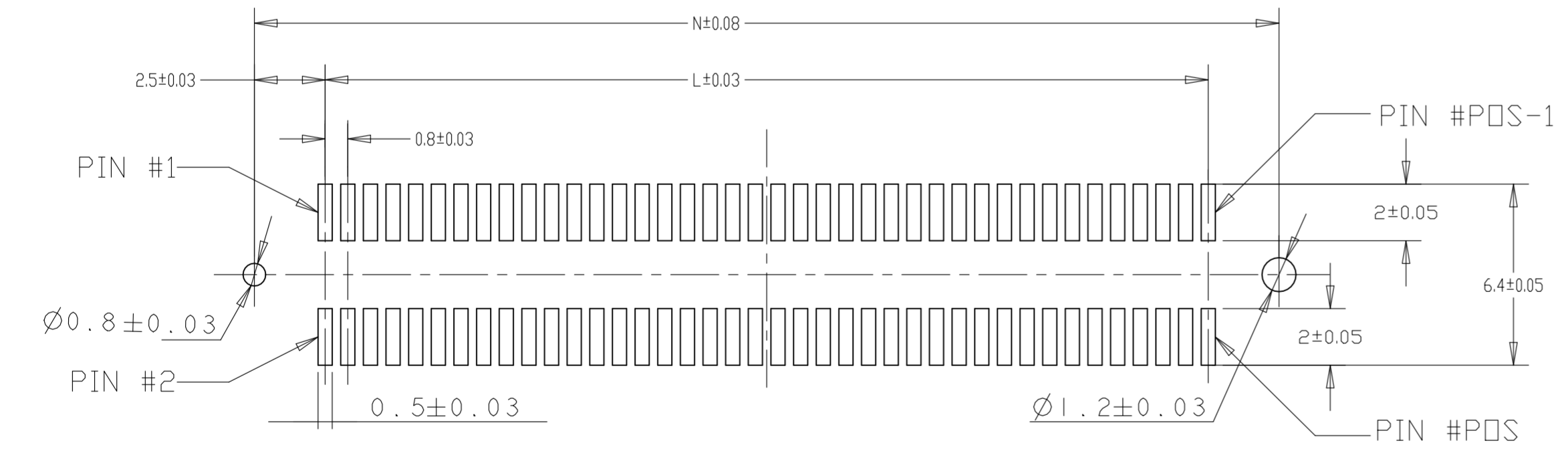
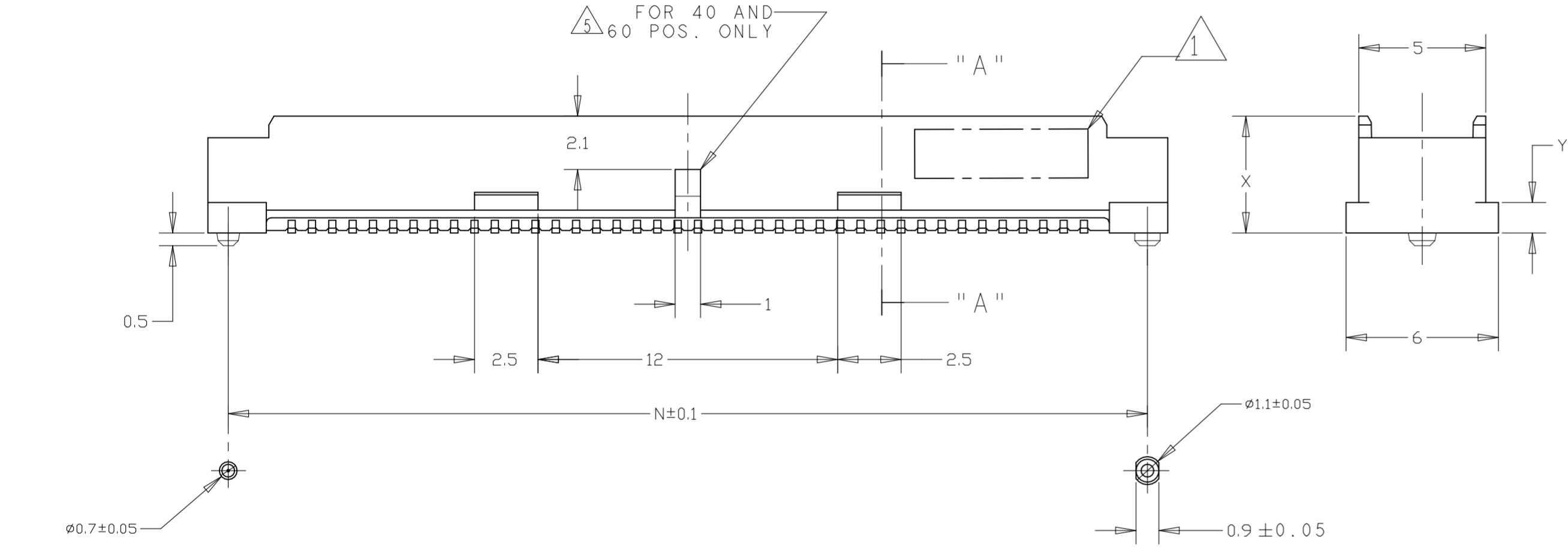
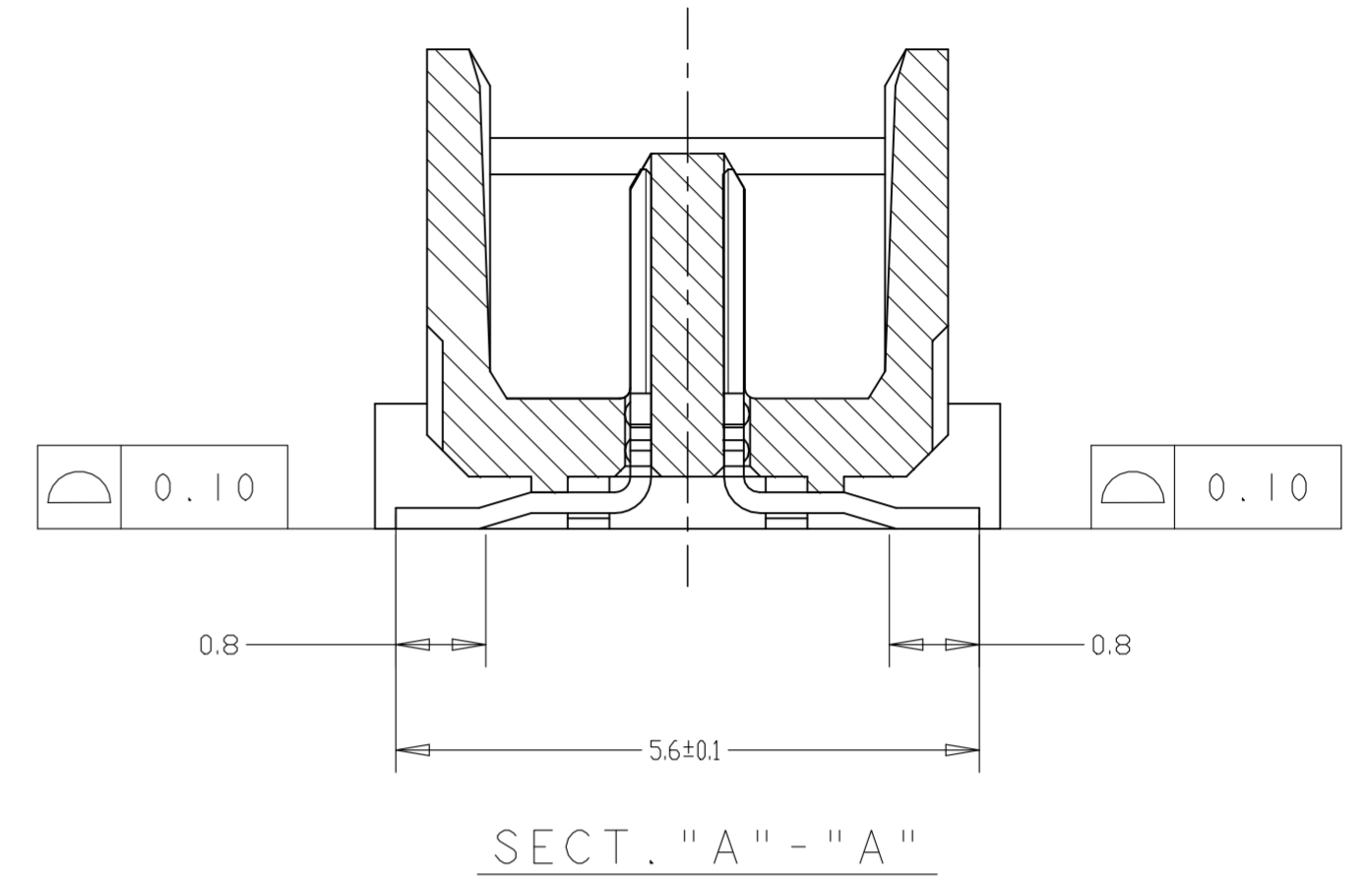
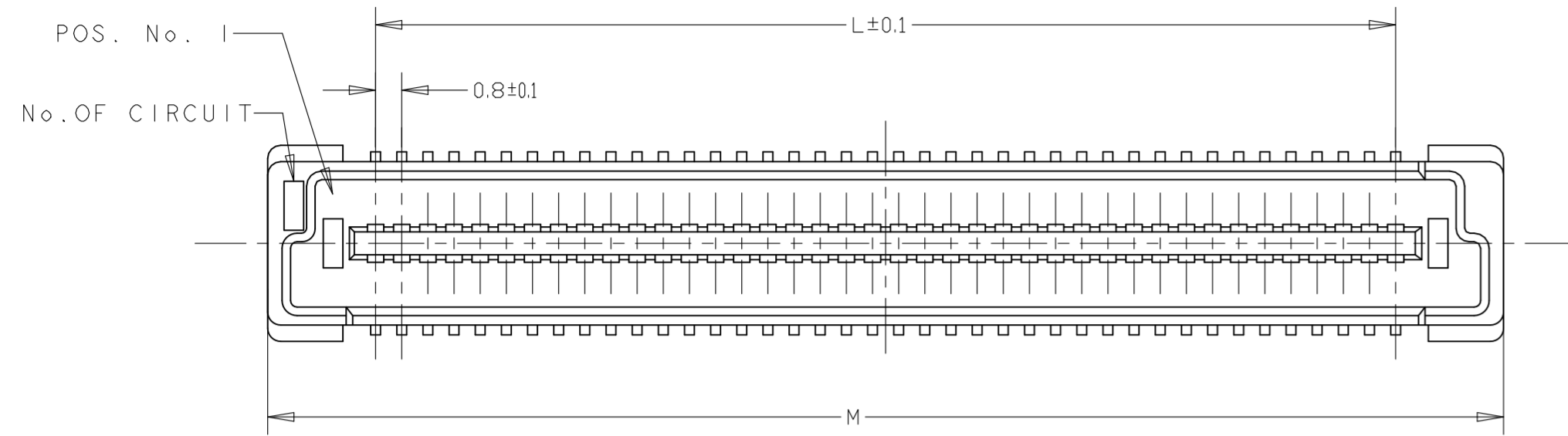
THIS DRAWING IS A CONTROLLED DOCUMENT.		DWN FLORENCE TAN 30AUG2004	TE Connectivity Ltd.	
DIMENSIONS: mm		CHK ERIC TNG 30MAY2012		
TOLERANCES UNLESS OTHERWISE SPECIFIED:		APVD SF LEONG 30MAY2012	NAME PLUG ASSEMBLY, FH 0.8 ON TAPING (EMBOSS) 0.5 BOSS LENGTH	
0 PLC ± - 1 PLC ± 0.2 2 PLC ± 0.15 3 PLC ± 0.1 4 PLC ± - ANGLES ± 3°		PRODUCT SPEC 108-5390	SIZE A2	CAGE CODE 00779
MATERIAL SEE NOTE		FINISH SEE NOTE	DRAWING NO C=5177986	RESTRICTED TO -
		WEIGHT -	SCALE 1:1	SHEET 4 OF 5
		CUSTOMER DRAWING	REV F10	

30u" Au	700	7H	3.6	6.6	12	12	17	6.85	7.1	21.8	44	40.4	20.2	40	7-5177986-7
REMARKS	QTY	HEIGHT TYPE	Y	X	J	H	G	F	E	D	C	B	A	POS	SALEABLE PART NO.

REVISIONS					
P	LTR	DESCRIPTION	DATE	DWN	APVD
-	-	SEE SHEET 1	-	-	-

LOW HALOGEN

CONNECTOR ONLY



RECOMMENDED P.C. BOARD LAYOUT

84.2	85.8	79.2	200
76.2	77.8	71.2	180
68.2	69.8	63.2	160
60.2	61.8	55.2	140
52.2	53.8	47.2	120
44.2	45.8	39.2	100
36.2	37.8	31.2	80
28.2	29.8	23.2	60
20.2	21.8	15.2	40
N	M	L	POS.

THIS DRAWING IS A CONTROLLED DOCUMENT.

DWN FLORENCE TAN 30AUG2004	TE Connectivity Ltd.					
CHK ERIC TNG 30MAY2012						
APVD SF LEONG 30MAY2012						
NAME PLUG ASSEMBLY, FH 0.8 ON TAPING (EMBOSS) 0.5 BOSS LENGTH						
DIMENSIONS: mm	TOLERANCES UNLESS OTHERWISE SPECIFIED: 0 PLC ± - 1 PLC ± 0.2 2 PLC ± 0.15 3 PLC ± 0.1 4 PLC ± - ANGLES ± 3°	PRODUCT SPEC 108-5390	SIZE A2	CAGE CODE 00779	DRAWING NO C=5177986	RESTRICTED TO -
MATERIAL SEE NOTE	FINISH SEE NOTE	WEIGHT -	SCALE 1:1	SHEET 5 of 5	REV F10	

CUSTOMER DRAWING