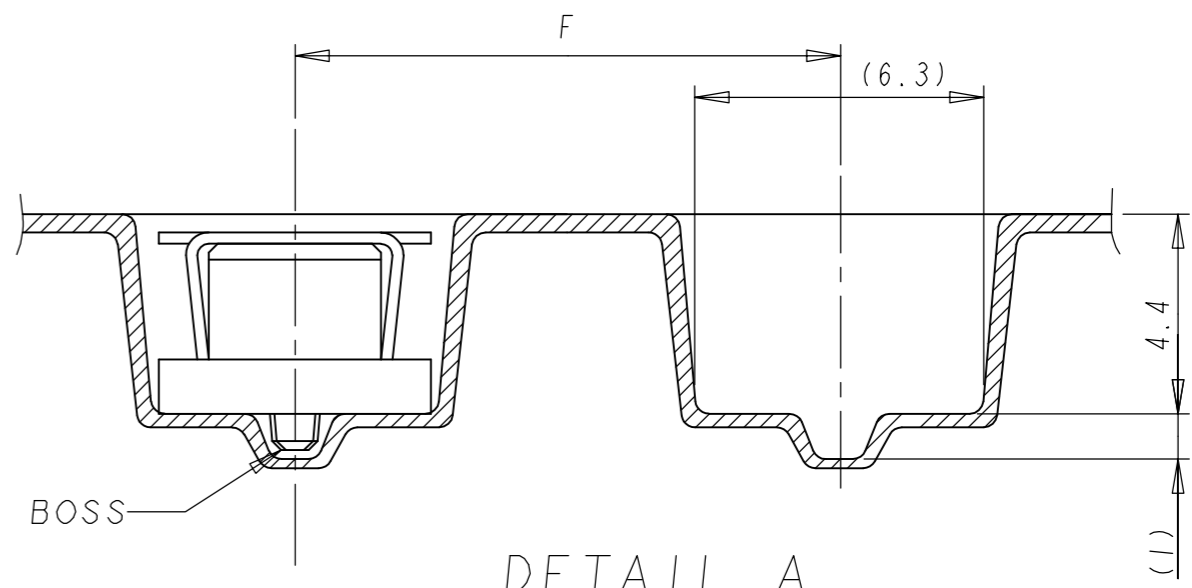
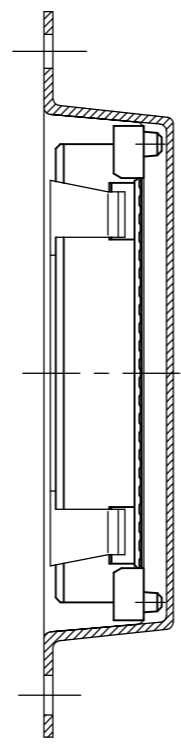
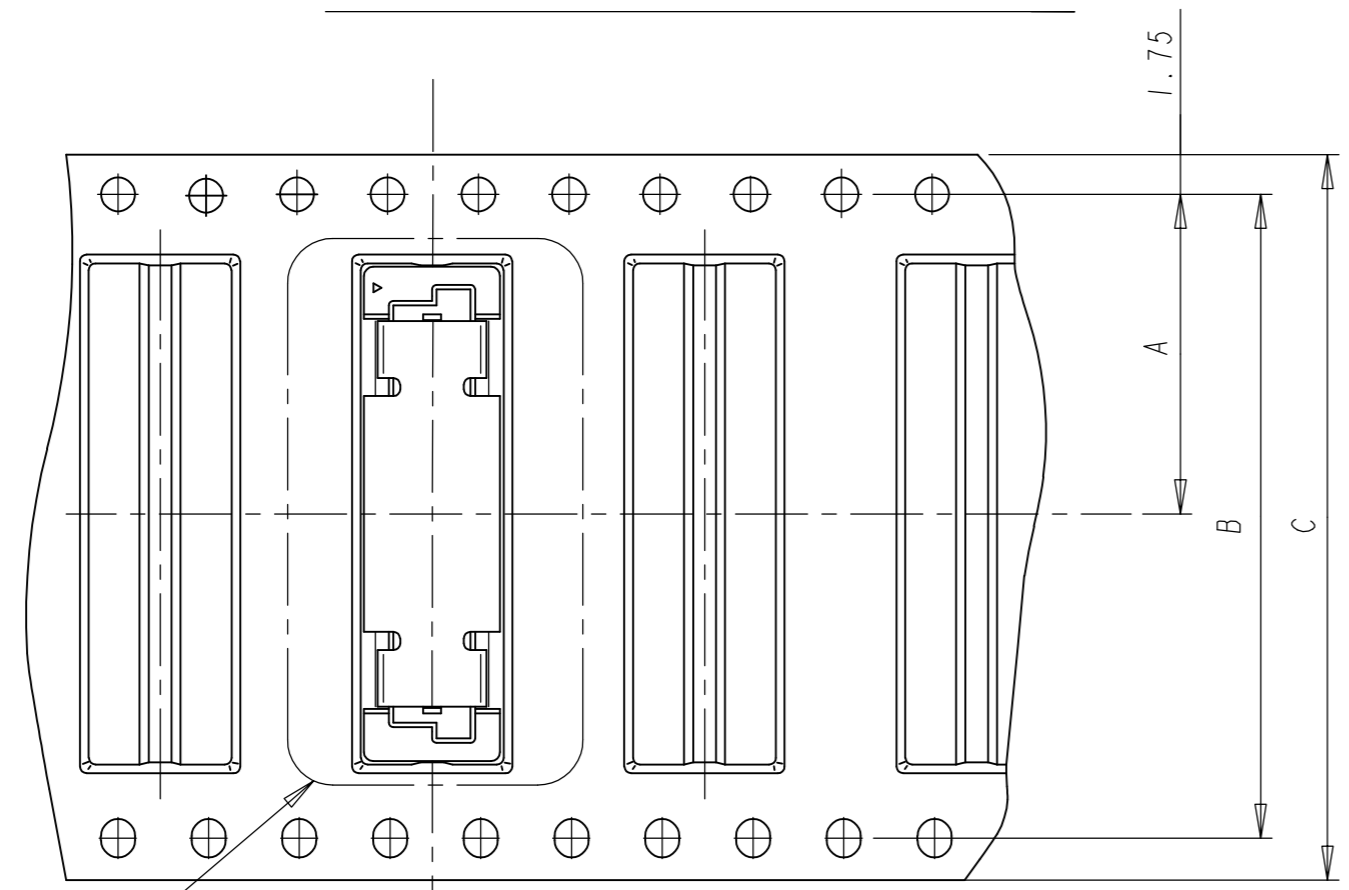


THIS DRAWING IS UNPUBLISHED. RELEASED FOR PUBLICATION  
 © COPYRIGHT - TE Connectivity ALL RIGHTS RESERVED.

REVISIONS					
P	LTR	DESCRIPTION	DATE	DWN	APVD
P		ADD HALOGEN FREE MARK	02APR2015	I.T	W.H
R		REVISED PER ECO-17-005566	07AUG2017	B.J	S.Y

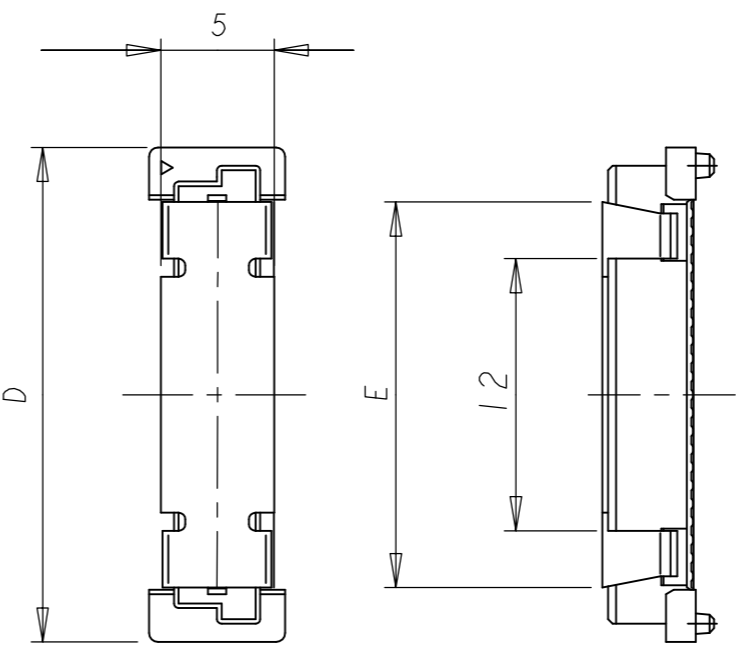
LOW HALOGEN

DIRECTION OFF TOP OF REEL



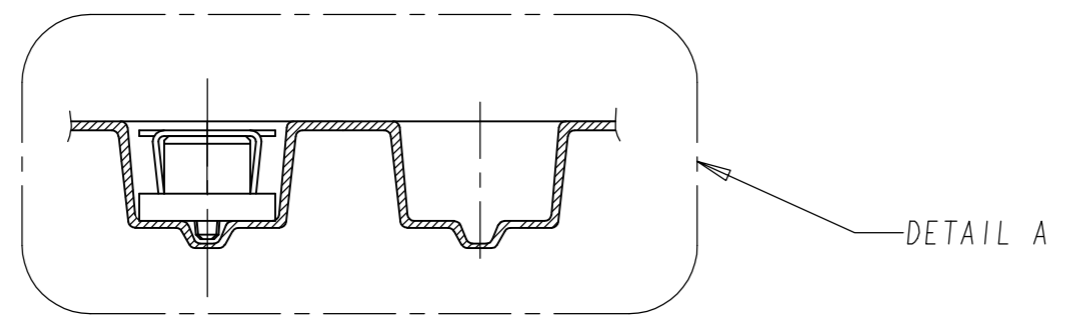
DETAIL A  
(SCALE 4-1)

- NOTES:
- 1 MATERIAL: HOUSING: L.C.P (HIGH TEMP THERMOPLASTIC UL 94V-0, NATURAL. CONTACT: BERYLIUM COPPER.
  - 2 FINISH: CONTACT AREA: 0.0002 MIN GOLD ON 0.0013 MIN ALL OVER NICKEL. SOLDERING AREA: 0.002 MIN MATTE TIN.
  - 3. POSITION SERIES: SEE TABLE.
  - 4. CONN STACK HEIGHT COMBINE OF PLUG "Y"H VS REC "X"H. STACK HEIGHT = Y + X - 5
  - 5 FINISH: CONTACT AREA: 0.00038 MIN GOLD ON 0.0013 MIN ALL OVER NICKEL. SOLDERING AREA: 0.002 MIN MATTE TIN.
  - 6 CONNECTOR WITH BLACK COLOR AND POLYIMIDE COVER



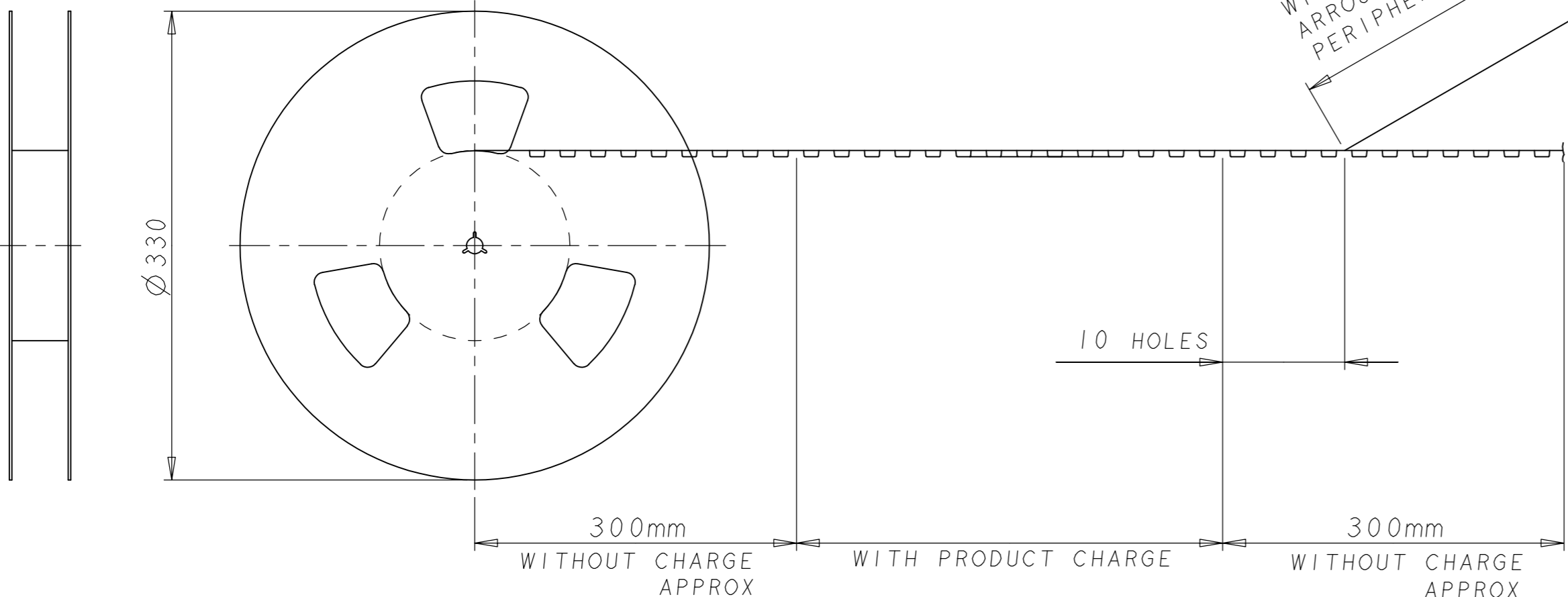
DETAIL B

DETAIL B



DETAIL A

WINDING THE COVER TAPE AROUND THE OUTER PERIPHERY IN A TURN.



STEEL COVER

FINISH	QTY	F	E	D	C	B	A	POS	PART NO.	
15Au-Sn 5				85.8	104	100.4	50.2	200	2-	-0
				77.8	104	100.4	50.2	180	1-	-9
				70.1	88	84.4	42.2	160	1-	-8
				61.8	88	84.4	42.2	140	1-	-6
				53.8	72	68.4	34.2	120	1-	-5
	700	16		45.8	72	68.4	34.2	100	1-	-4
				37.8	56	52.4	26.2	80	1-	-3
				29.8	44	40.4	20.2	60	1-	-2
	1000	12	17	21.8	32	28.4	14.2	40	1-	-1
	08Au-Sn 2				85.8	104	100.4	50.2	200	1-
				77.8	104	100.4	50.2	180		-9
				69.8	88	84.4	42.2	160		-8
				61.8	88	84.4	42.2	140		-6
				53.8	72	68.4	34.2	120		-5
700		16		45.8	72	68.4	34.2	100		-4
				37.8	56	52.4	26.2	80		-3
				29.8	44	40.4	20.2	60		-2
1000		12	17	21.8	32	28.4	14.2	40		-1

THIS DRAWING IS A CONTROLLED DOCUMENT. DWN SK LEAW 17MAY2004  
 CHK ERIC TNG  
 APVD SF LEONG  
 PRODUCT SPEC 108-5390  
 APPLICATION SPEC 114-5254  
 MATERIAL - FINISH - WEIGHT 0

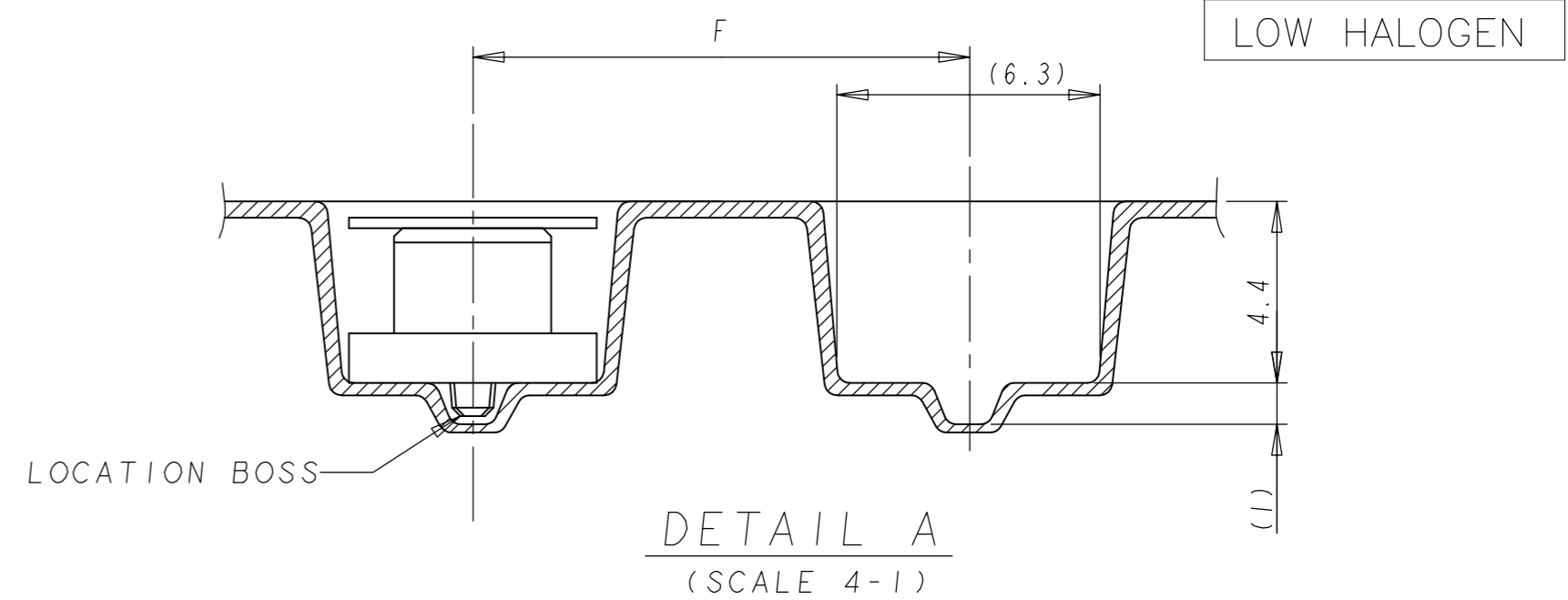
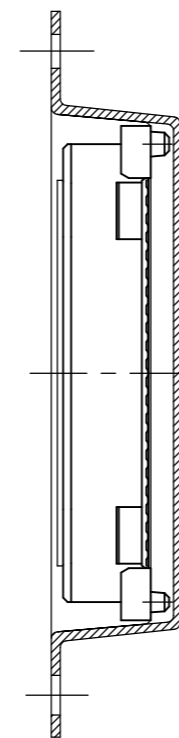
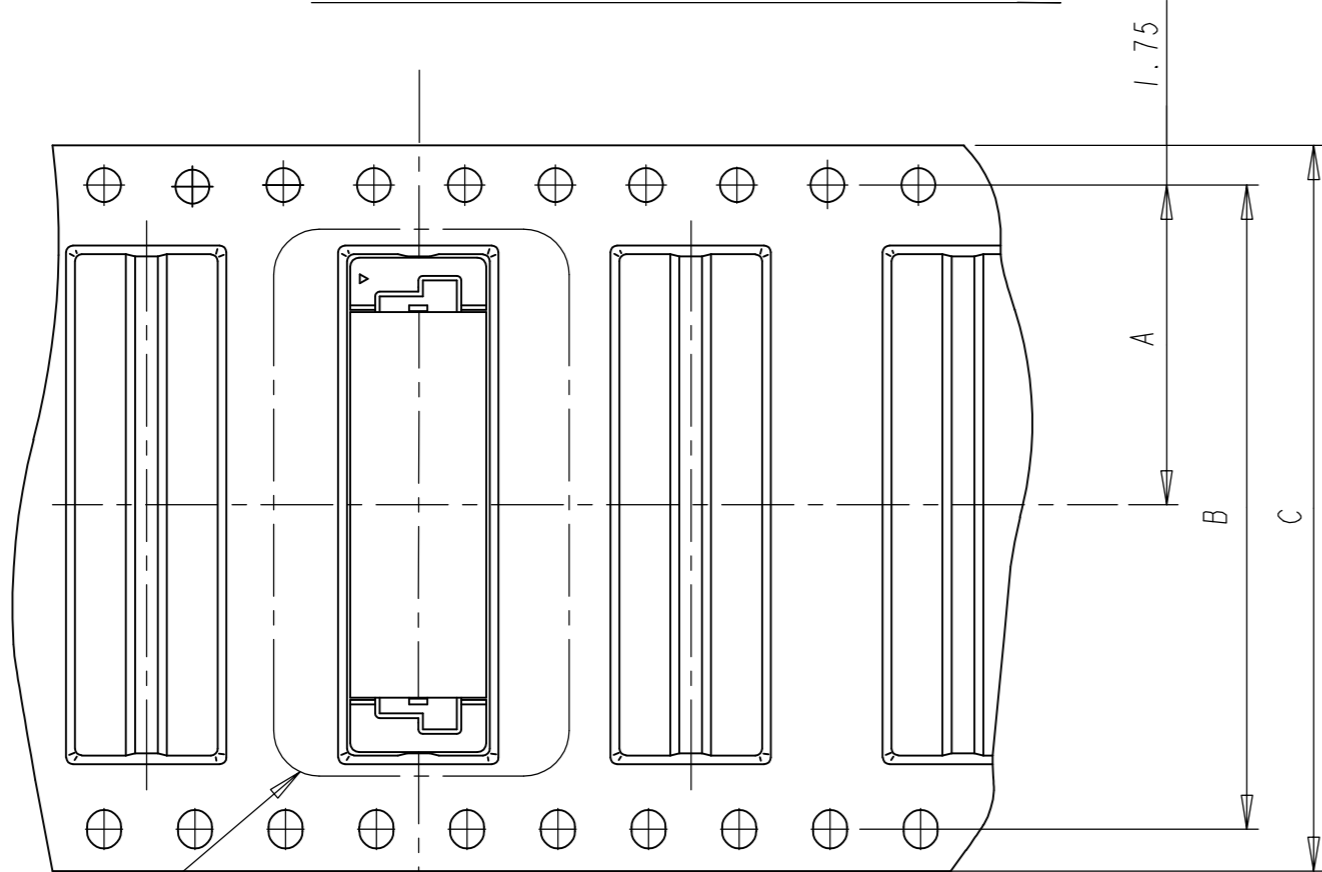
**TE** TE Connectivity  
 RECEPTACLE ASSEMBLY 5H TYPE  
 (0.5MM BOSS LENGTH) FOR 0.8FH  
 ON TAPING

SIZE A2 CAGE CODE 00779 DRAWING NO C=5177985 RESTRICTED TO -  
 SCALE 1:1 SHEET 1 OF 3 REV R

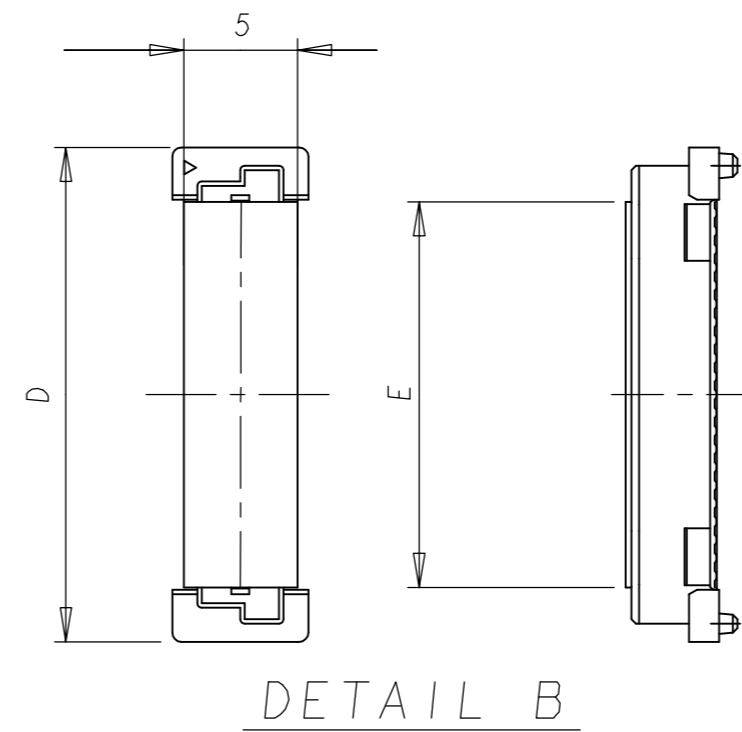
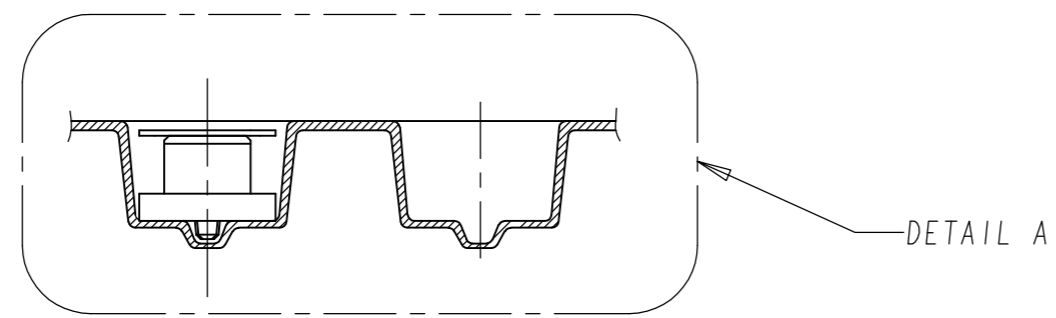
THIS DRAWING IS UNPUBLISHED. RELEASED FOR PUBLICATION  
 © COPYRIGHT - TE Connectivity ALL RIGHTS RESERVED.

REVISIONS				
P	LTR	DESCRIPTION	DATE	APVD
-	-	SEE SHEET 1	-	-

DIRECTION OFF TOP OF REEL

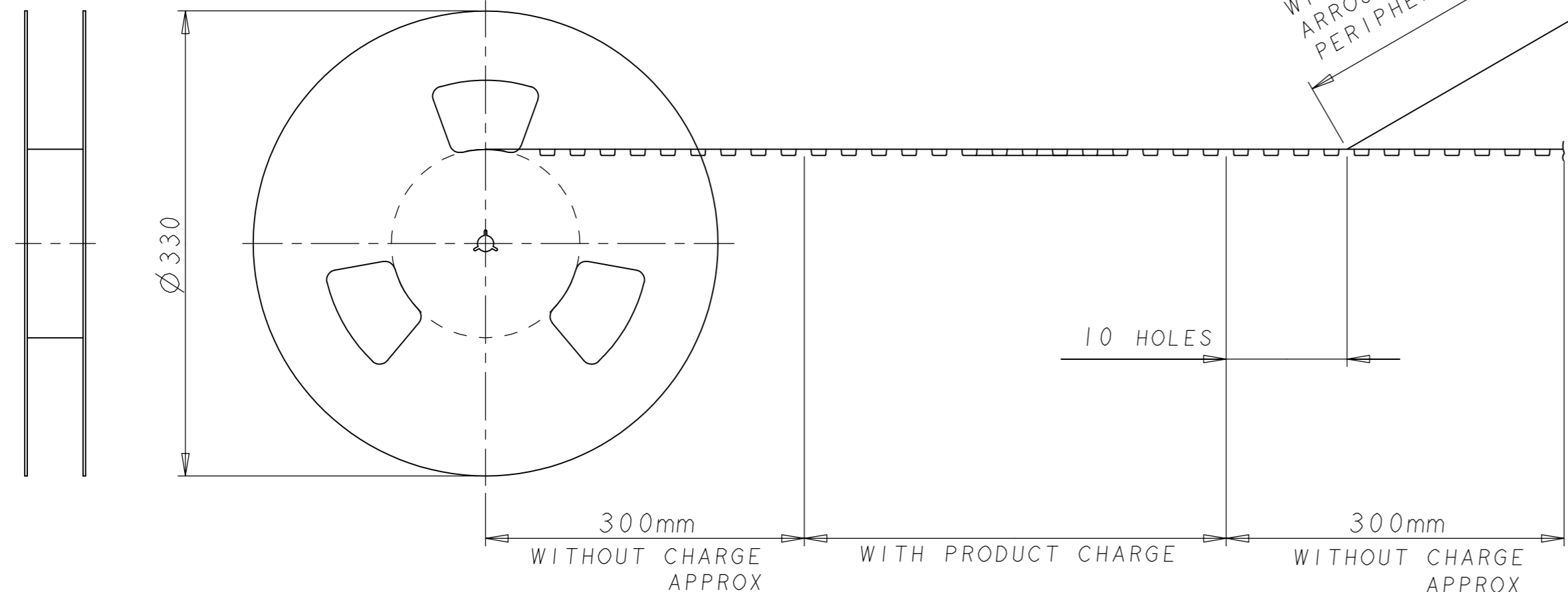


DETAIL B



WINDING THE COVER TAPE AROUND THE OUTER PERIPHERY IN A TURN.

POLYIMIDE COVER



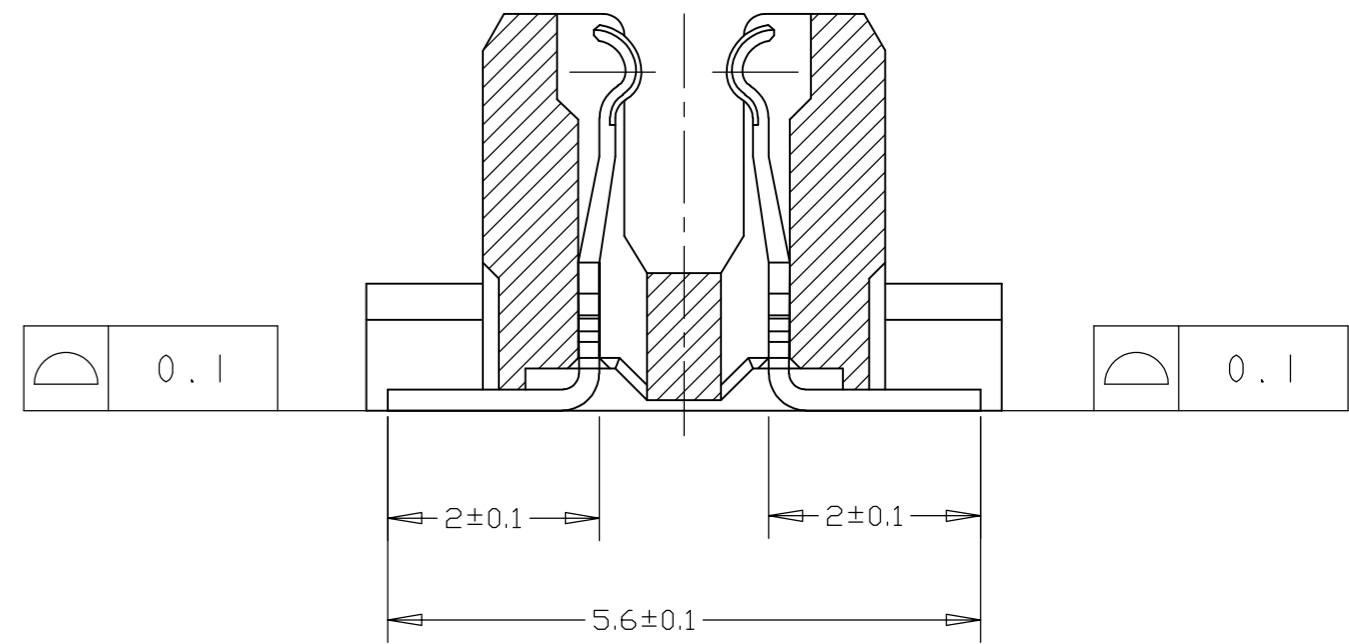
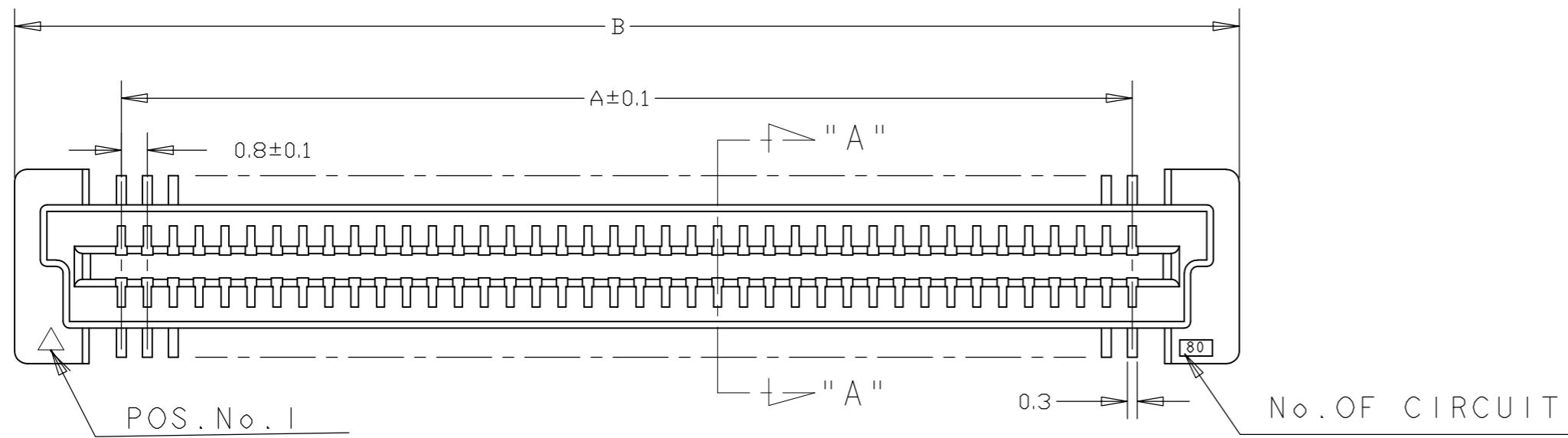
6	7	700	16	11	61.8	88	84.4	42.2	140	9-5177985-6
FINISH	QTY	F	E	D	C	B	A	POS	PART NO.	

THIS DRAWING IS A CONTROLLED DOCUMENT.		DWN SK LEAW 17MAY2004	<b>TE</b> TE Connectivity	
DIMENSIONS: mm		CHK ERIC TNG		
TOLERANCES UNLESS OTHERWISE SPECIFIED:		APVD SF LEONG	NAME	
0 PLC ± -		PRODUCT SPEC 108-5390	RECEPTACLE ASSEMBLY 5H TYPE (0.5MM BOSS LENGTH) FOR 0.8FH ON TAPING	
1 PLC ± -		APPLICATION SPEC 114-5254	SIZE A2	CAGE CODE 00779
2 PLC ± -		WEIGHT -	DRAWING NO. C=5177985	RESTRICTED TO -
3 PLC ± -		MATERIAL -	SCALE 1:1	SHEET 2 of 3
4 PLC ± -		FINISH -	CUSTOMER DRAWING	REV R
ANGLES ± -				

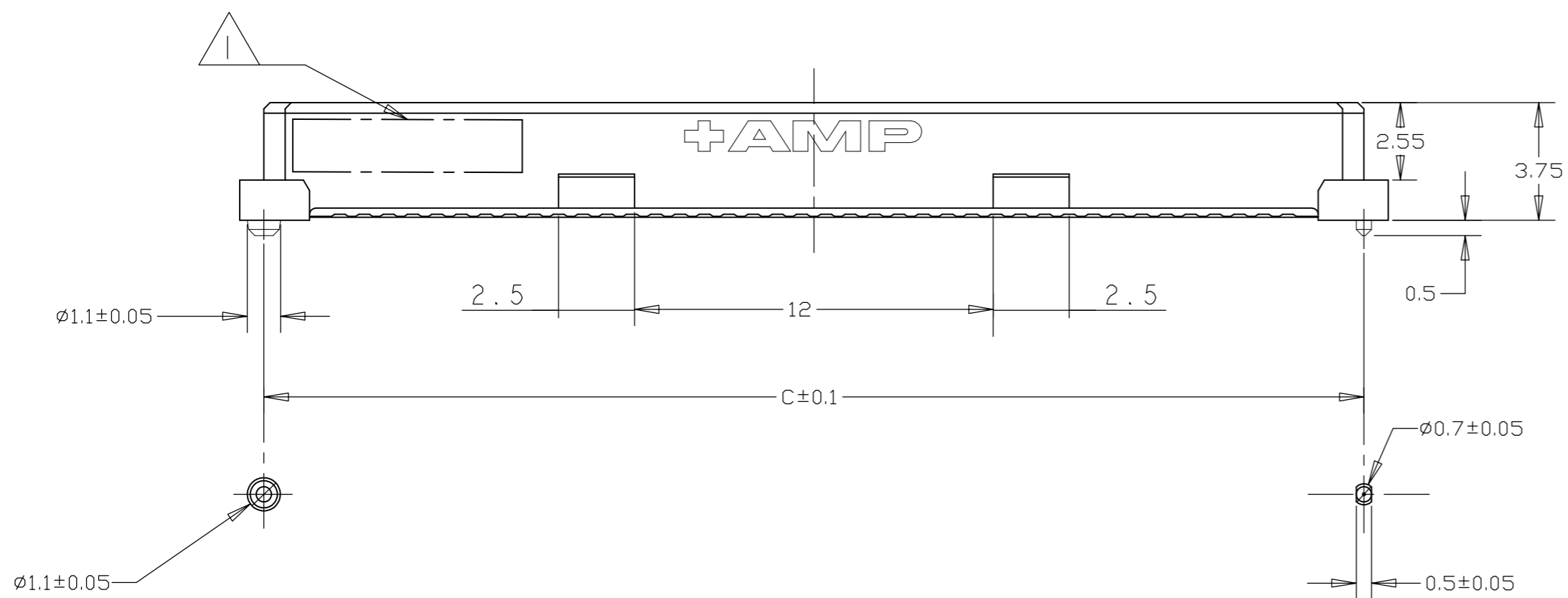
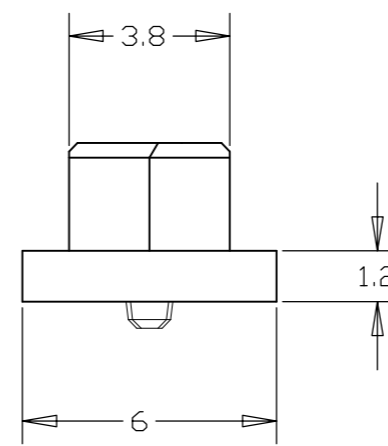
THIS DRAWING IS UNPUBLISHED. RELEASED FOR PUBLICATION  
 © COPYRIGHT - TE Connectivity ALL RIGHTS RESERVED.

REVISIONS					
P	LTR	DESCRIPTION	DATE	DWN	APVD
-	-	SEE SHEET 1	-	-	-

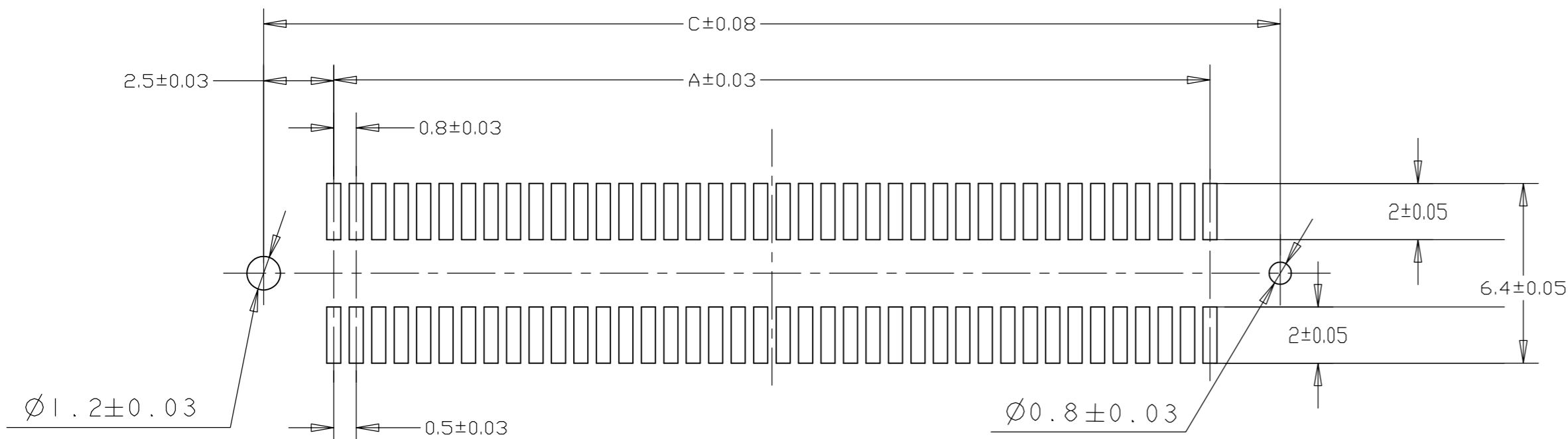
LOW HALOGEN



SECT. "A" - "A"  
(SCALE 10-1)



CONNECTOR ONLY



RECOMMENDED P.C. BOARD LAYOUT

THIS DRAWING IS A CONTROLLED DOCUMENT.		DWN SK LEAW 17MAY2004	TE Connectivity	
DIMENSIONS: mm		CHK ERIC TNG		
TOLERANCES UNLESS OTHERWISE SPECIFIED:		APVD SF LEONG	NAME	
0 PLC ± -		PRODUCT SPEC 108-5390	RECEPTACLE ASSEMBLY 5H TYPE (0.5MM BOSS LENGTH) FOR 0.8FH ON TAPING	
1 PLC ± -		APPLICATION SPEC 114-5254	SIZE A2	CAGE CODE 00779
2 PLC ± -		WEIGHT -	DRAWING NO. C=5177985	RESTRICTED TO -
3 PLC ± -		FINISH -	SCALE 1:1	SHEET 3 OF 3
4 PLC ± -		MATERIAL -	CUSTOMER DRAWING	REV R
ANGLES ± -				