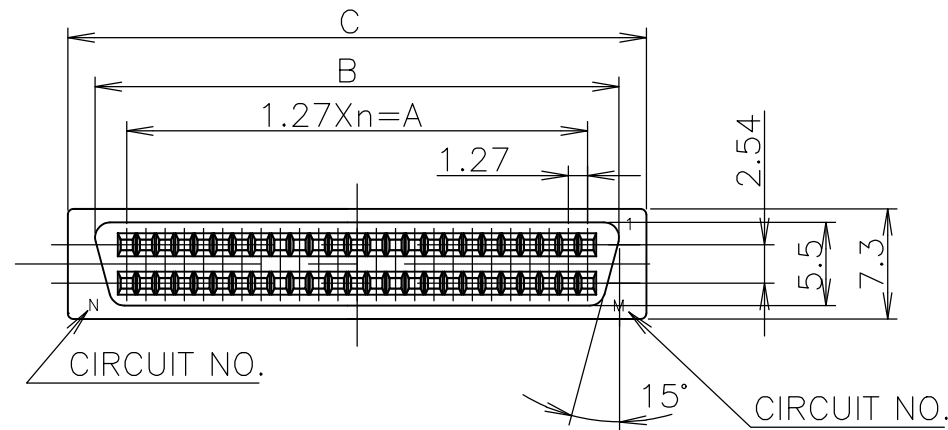
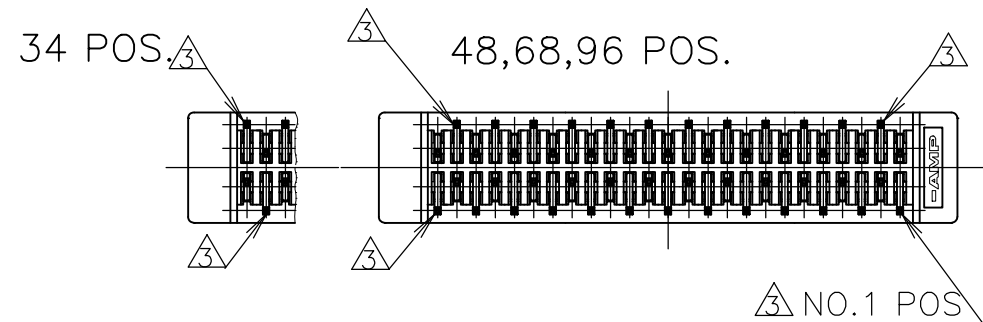
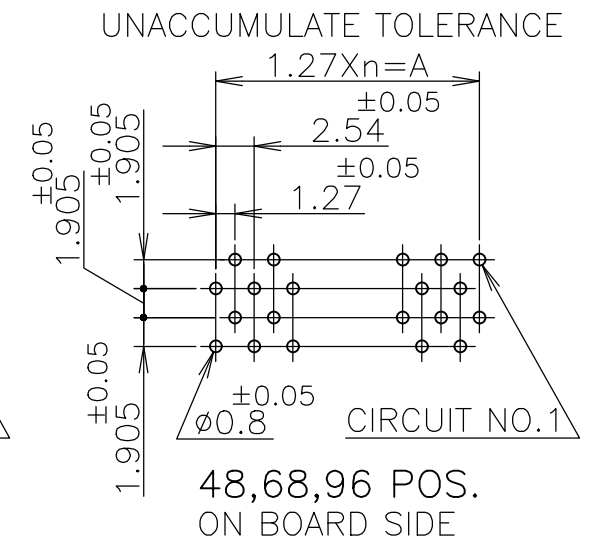
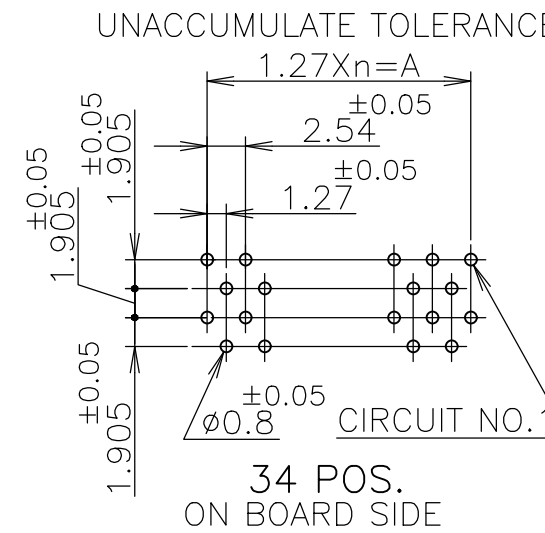
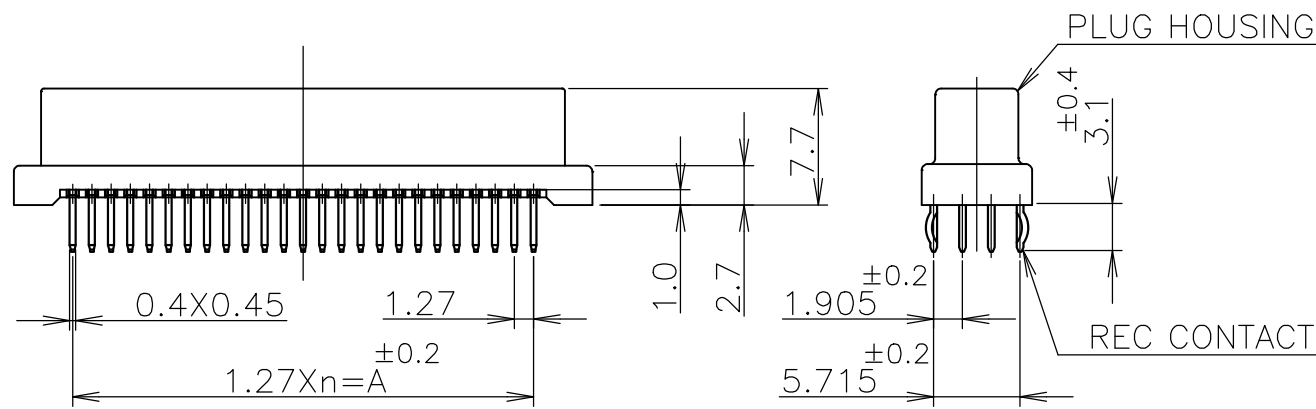


P	LTR	DESCRIPTION	DATE	DWN	APVD
	R2	ECO-20-007709	20APR2020	RR	SH



- ① MATERIAL AND FINISH
PLUG HOUSING ; THERMOPLASTIC (UL94V-0) COLOR:BLACK
REC. CONTACT ; COPPER ALLOY FINISH,OVER NICKEL
MATING END:0.0002 MIN. OR 0.00076 MIN. GOLD
TERMINATION END:TIN OVER SEALING TREATMENT.
- ② P.C.B. LAYOUT AND P.C.B. TREATMENT(REF.)
USE A P.C.B. SURFACE ARE TREATED WITH SOLDER RESIST.
- ③ KINK POSITIONS(4 POSITIONS).
- ④ OBSOLETE PARTS: OBSOLETE CIS STREAMLINING PER D.RENAUD/D.SINISI



④ OBSOLETE	Au PL. 0.00076 MIN.	96	49	59.69	63.86	71.00	47	96	6	8
		68	35	41.91	46.08	53.22	33	68	6	7
		48	25	29.21	33.38	40.52	23	48	6	6
		34	18	20.32	24.49	31.63	16	34	6	5
④ OBSOLETE	Au PL. 0.0002 MIN.	96	49	59.69	63.86	71.00	47	96		8
		68	35	41.91	46.08	53.22	33	68		7
		48	25	29.21	33.38	40.52	23	48		6
		34	18	20.32	24.49	31.63	16	34		5
REMARK		N	M	A	B	C	n	POS.	PART NO.	
		CIRCUIT NO.		DIMENSION						

THIS DRAWING IS A CONTROLLED DOCUMENT.

DIMENSIONS: 単位: 耗 mm	TOLERANCES UNLESS OTHERWISE SPECIFIED: 一般公差
	0 PLC ± -
	1 PLC ± -
	2 PLC ± -
	3 PLC ± -
	4 PLC ± -
	ANGLES ± -
	FINISH 仕上 ± -
MATERIAL 材料	

GENERAL TOLERANCE
一般公差

10 ≥ : ±0.2
30 ≥ > 10: ±0.25
100 ≥ > 30: ±0.3
ANGLES: ±3°

DWN T.KAWAMAE 18JAN05
CHK I.ENOMOTO 18JAN05
APVD I.ENOMOTO 18JAN05

STE TE Connectivity

NAME 名称
PRODUCT SPEC 製品規格
108-60036
APPLICATION SPEC 取付適用規格

PLUG ASSY VERTICAL (W/KINK)
AMPLIMITE .050 SERIES I B-TO-B CONN.

SIZE A3 CAGE CODE 00779 DRAWING NO 番号 C-5174681 RESTRICTED TO

WEIGHT 0.000000

CUSTOMER DRAWING SCALE 尺度 2:1 SHEET 1 OF 1 REV R2