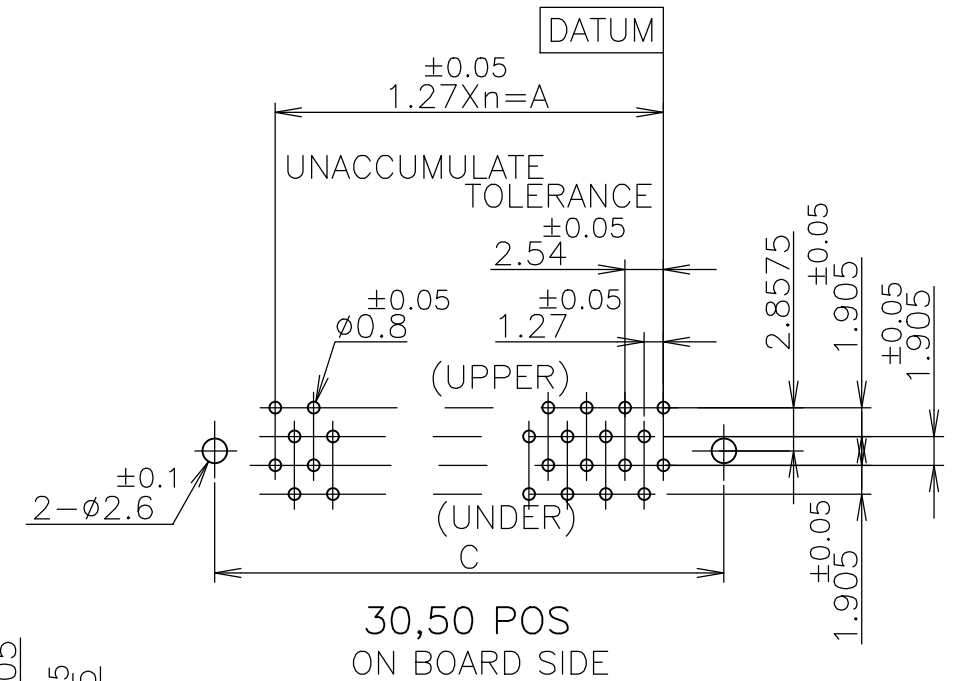
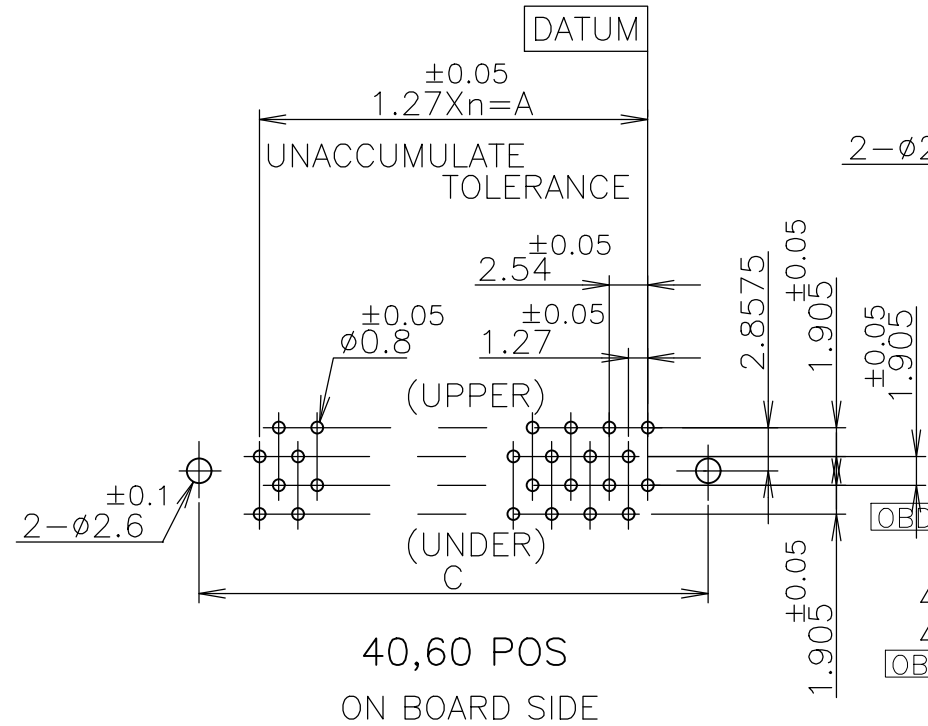
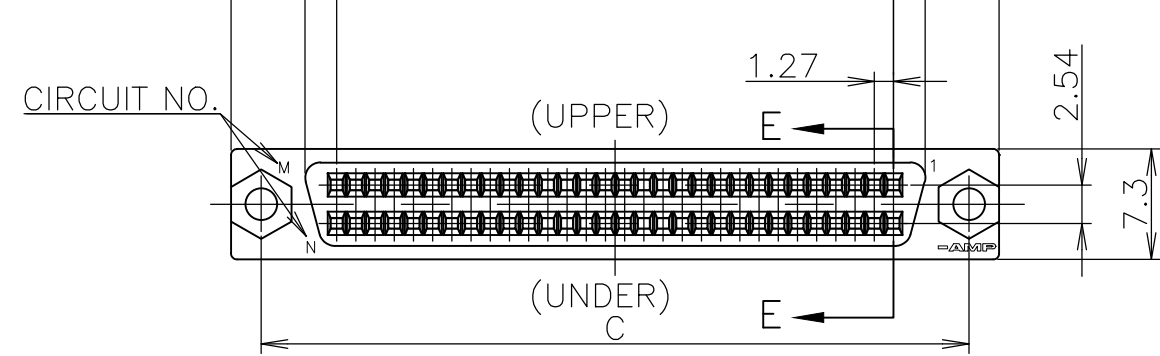
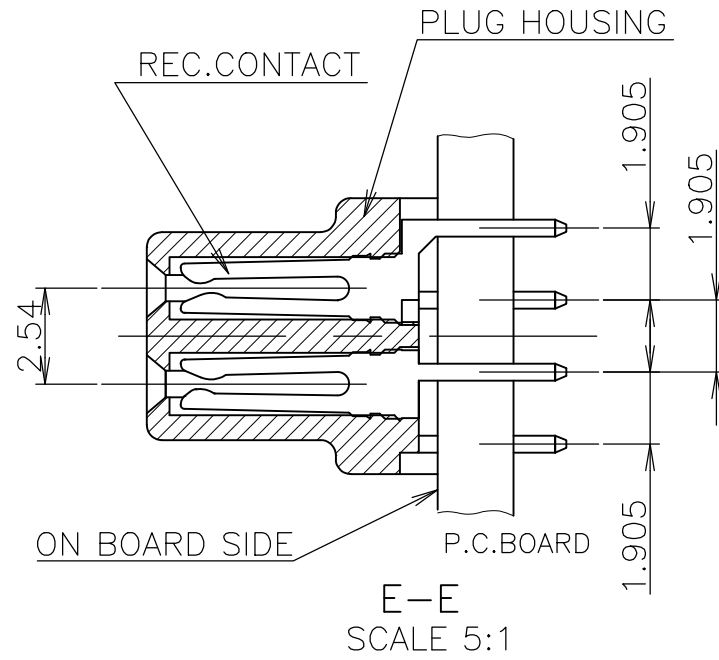
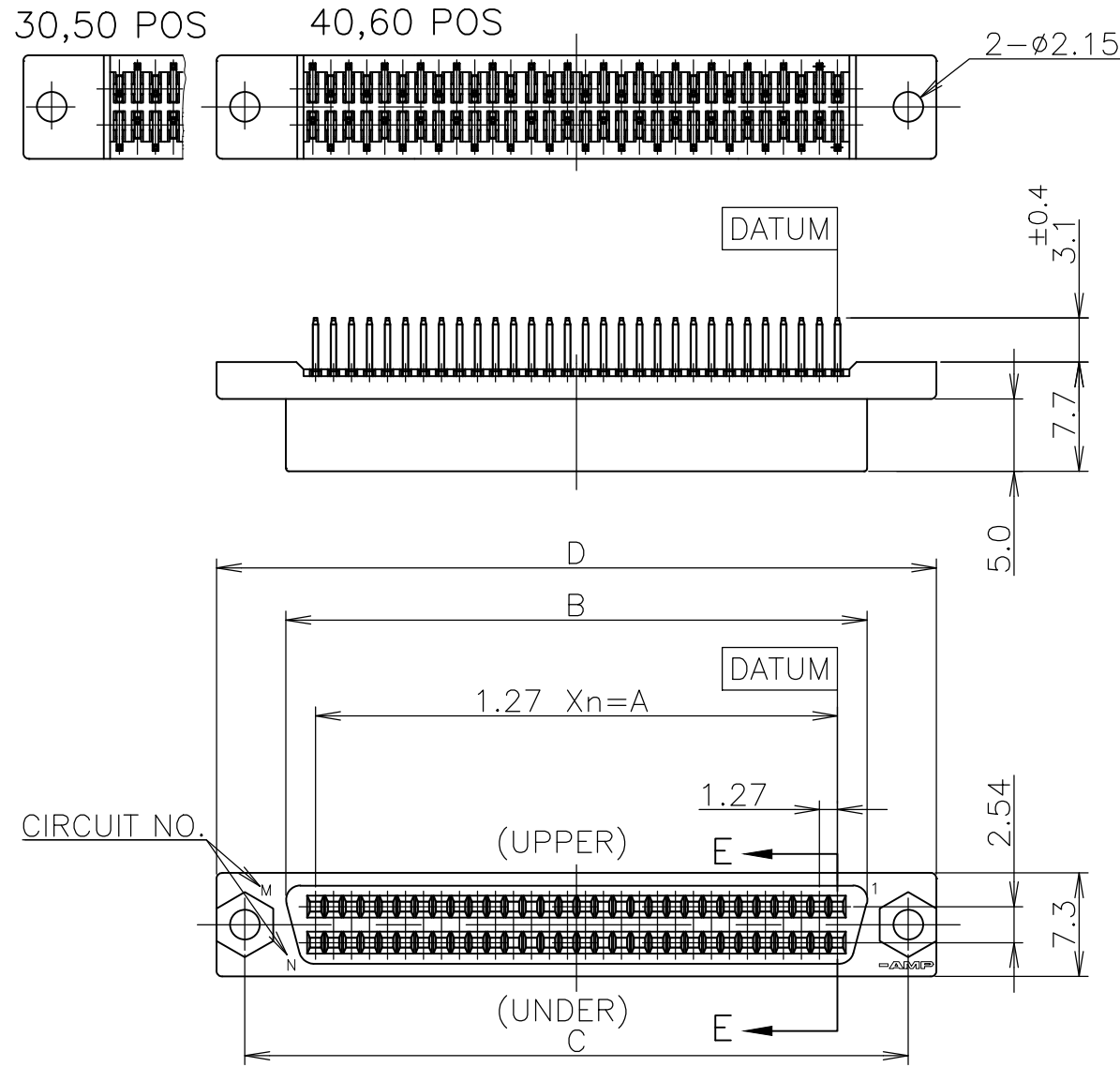


P	LTR	DESCRIPTION	DATE	DWN	APVD
P1	ECO-20-007709		22JUN2020	RR	SH



- 1 USE A P.C.B. WHOSE ARE TREATED WITH SOLDER RESIST.
- 2 SHOW P.C.B LAYOUT FROM ON BOARD SURFACE SIDE.
- 3 NUMBER THE CONTACT IN THE P.C.B OR CONNECTOR CONSECUTIVELY FROM "DATUM" SIDE.
- 4 APPLY M2 SCREW & NUT TO FIX OF CONNECTOR.
- 5 HOUSING MATERIAL : P.B.T(UL94V-0) / BLACK
- 6 CONTACT MATERIAL : PHO-BRONZE
- 7 FINISH : NICKEL 0.00127 MIN THK. OVERALL SELECTIVE GOLD 0.00076 MIN. OR 0.0002 MIN. THK ON CONTACT AREA AND TIN 0.001 MIN THK. ON TINE AREA.
- 8 OBSOLETE PARTS: OBSOLETE CIS STREAMLINING PER D.RENAUD/D.SINISI

REMARK	PART NUMBER	POS	n	A	B	C	D	
Au PL. 0.00076 MIN.	6-	-4	60	29	36.83	41.00	46.80	50.80
	6-	-3	50	24	30.48	34.65	40.45	44.45
	6-	-2	40	19	24.13	28.30	34.10	38.10
	6-	-1	30	14	17.78	21.95	27.75	31.75
Au PL. 0.0002 MIN.		-4	60	29	36.83	41.00	46.80	50.80
		-3	50	24	30.48	34.65	40.45	44.45
		-2	40	19	24.13	28.30	34.10	38.10
	5173279-1	30	14	17.78	21.95	27.75	31.75	

LEAD FREE

GENERAL TOLERANCE
一般公差

10 ≥	±0.2
30 ≥ > 10	±0.25
100 ≥ > 30	±0.3
ANGLES	±3°

THIS DRAWING IS A CONTROLLED DOCUMENT.

DIMENSIONS: mm	TOLERANCES UNLESS OTHERWISE SPECIFIED:
0 PLC ± -	1 PLC ± -
2 PLC ± -	3 PLC ± -
4 PLC ± -	ANGLES ± -
MATERIAL SEE-NOTE	FINISH SEE-NOTE

DWN COREL WANG 23AUG04	TE Connectivity		
CHK STEVEN YAO 20AUG04			
APVD I.ENOMOTO 20AUG04	NAME		
PRODUCT SPEC 108-60036	PLUG ASSY (VERTICAL/ W/SCREW HOLE) AMPLIMITE .050 SERIES I B-TO-B CONN.		
APPLICATION SPEC	SIZE A3	CAGE CODE 00779	DRAWING NO C-5173279
WEIGHT 0.000000	RESTRICTED TO	SCALE 2:1	SHEET 1 OF 1
CUSTOMER DRAWING	REV P1		