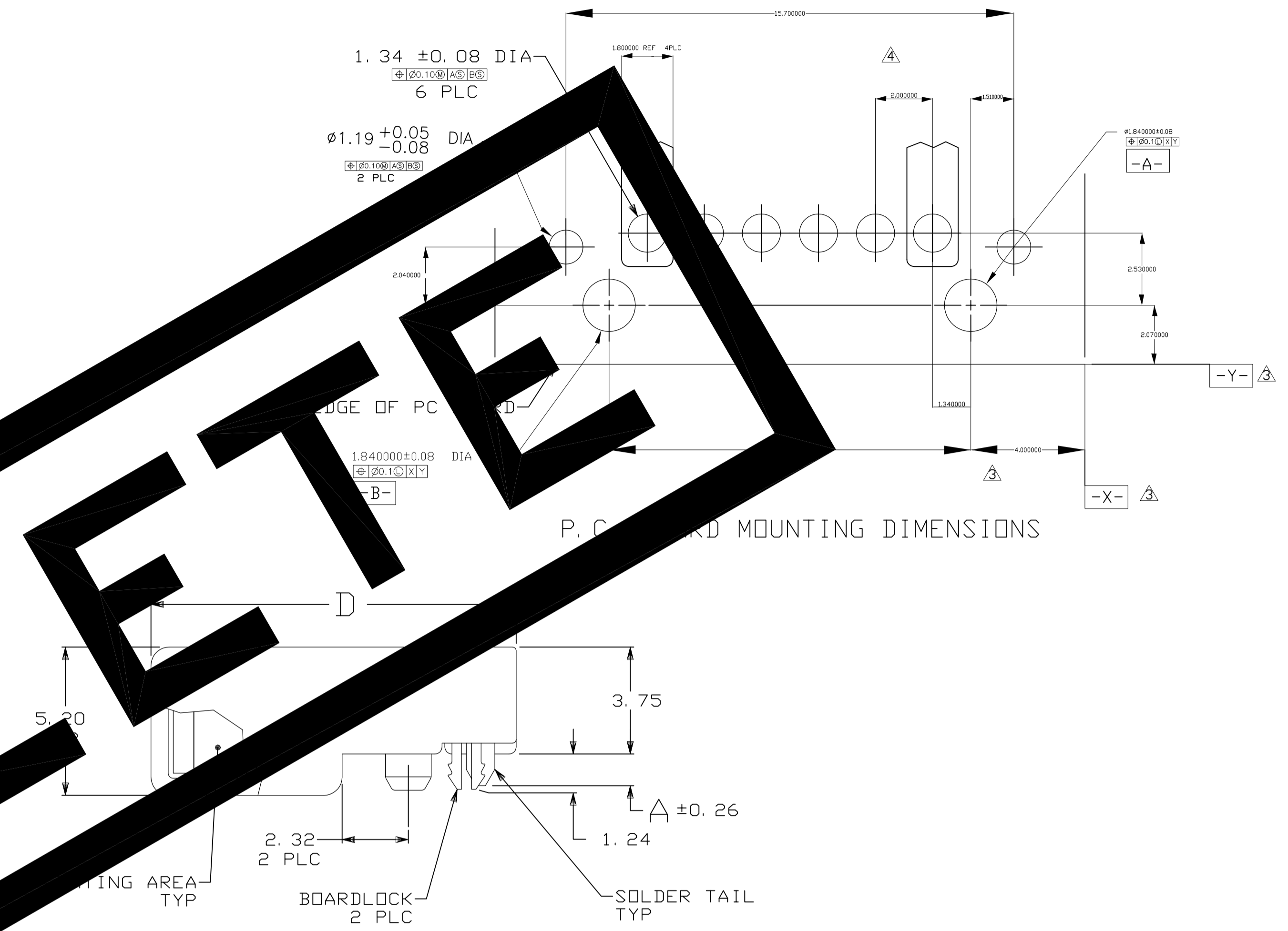
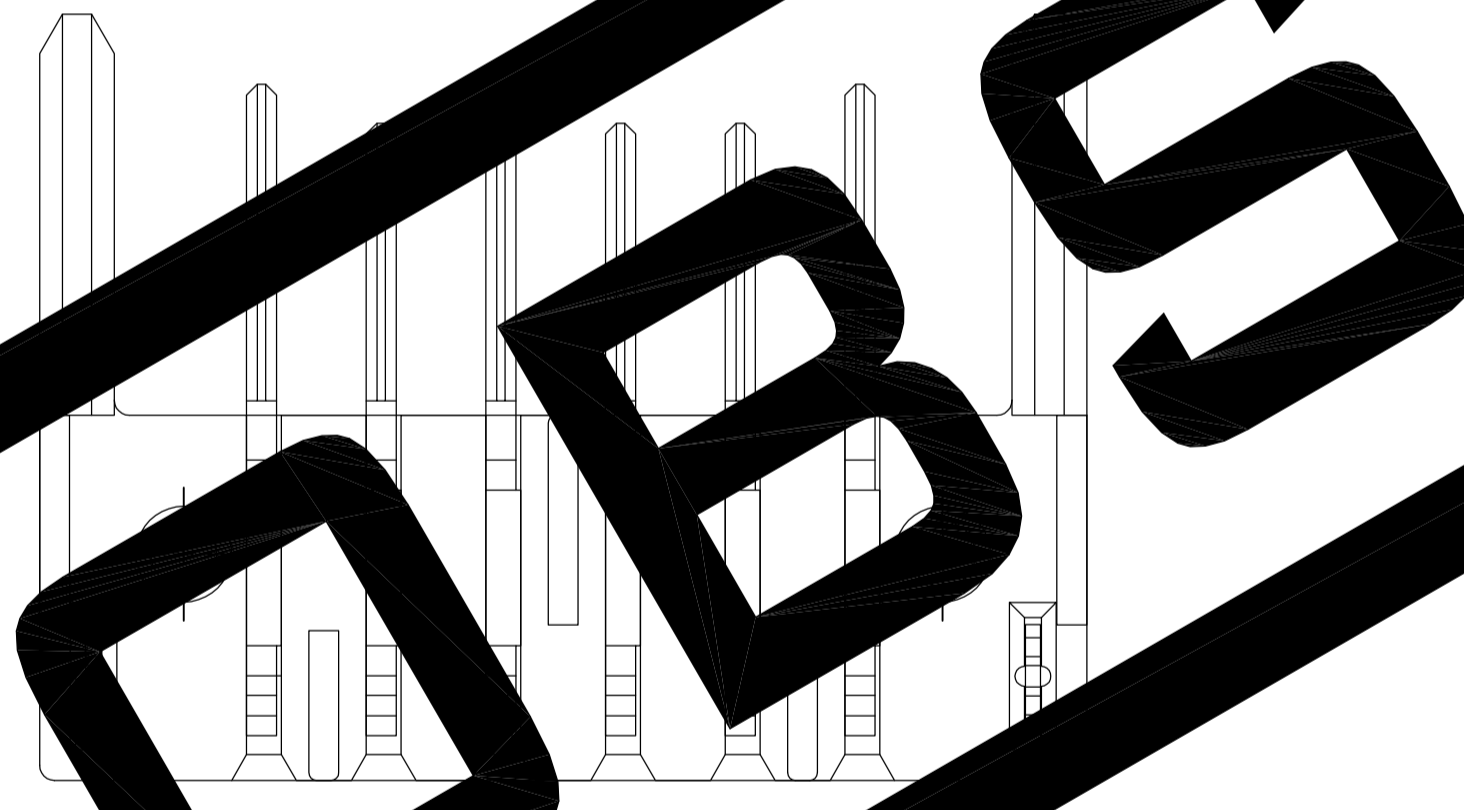
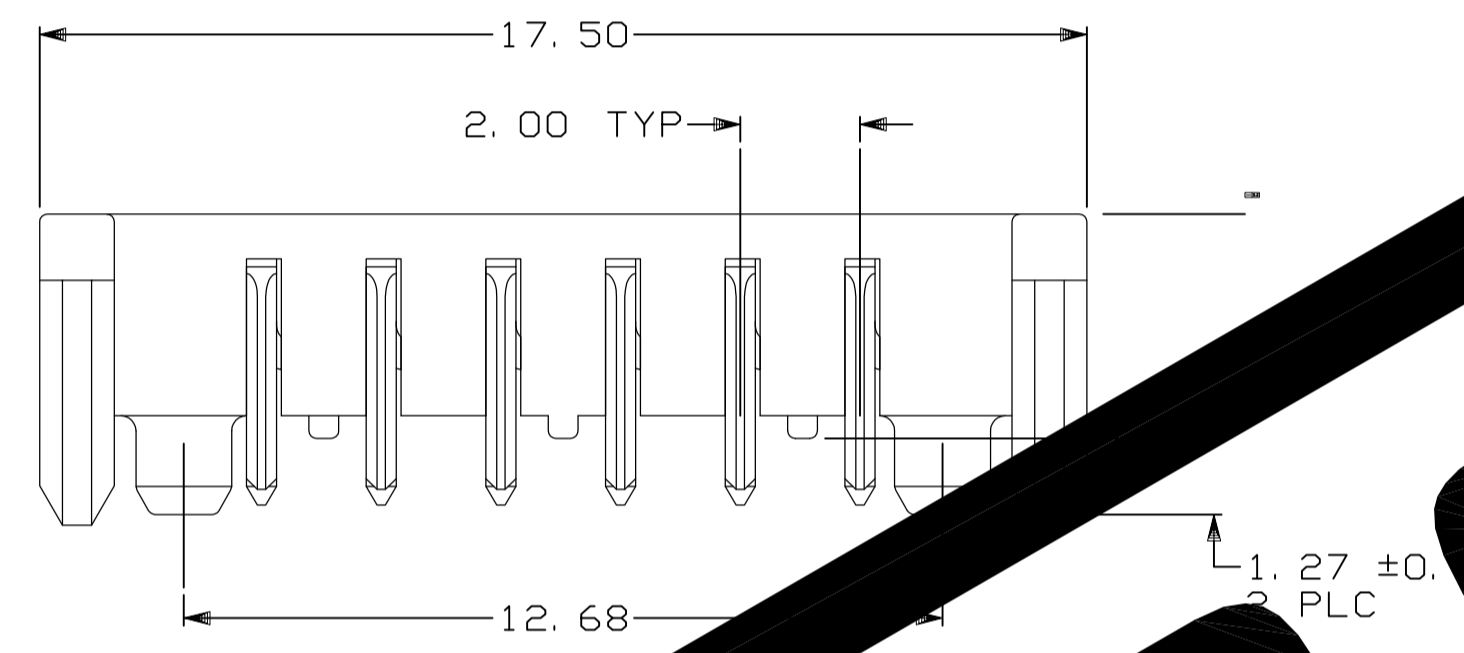
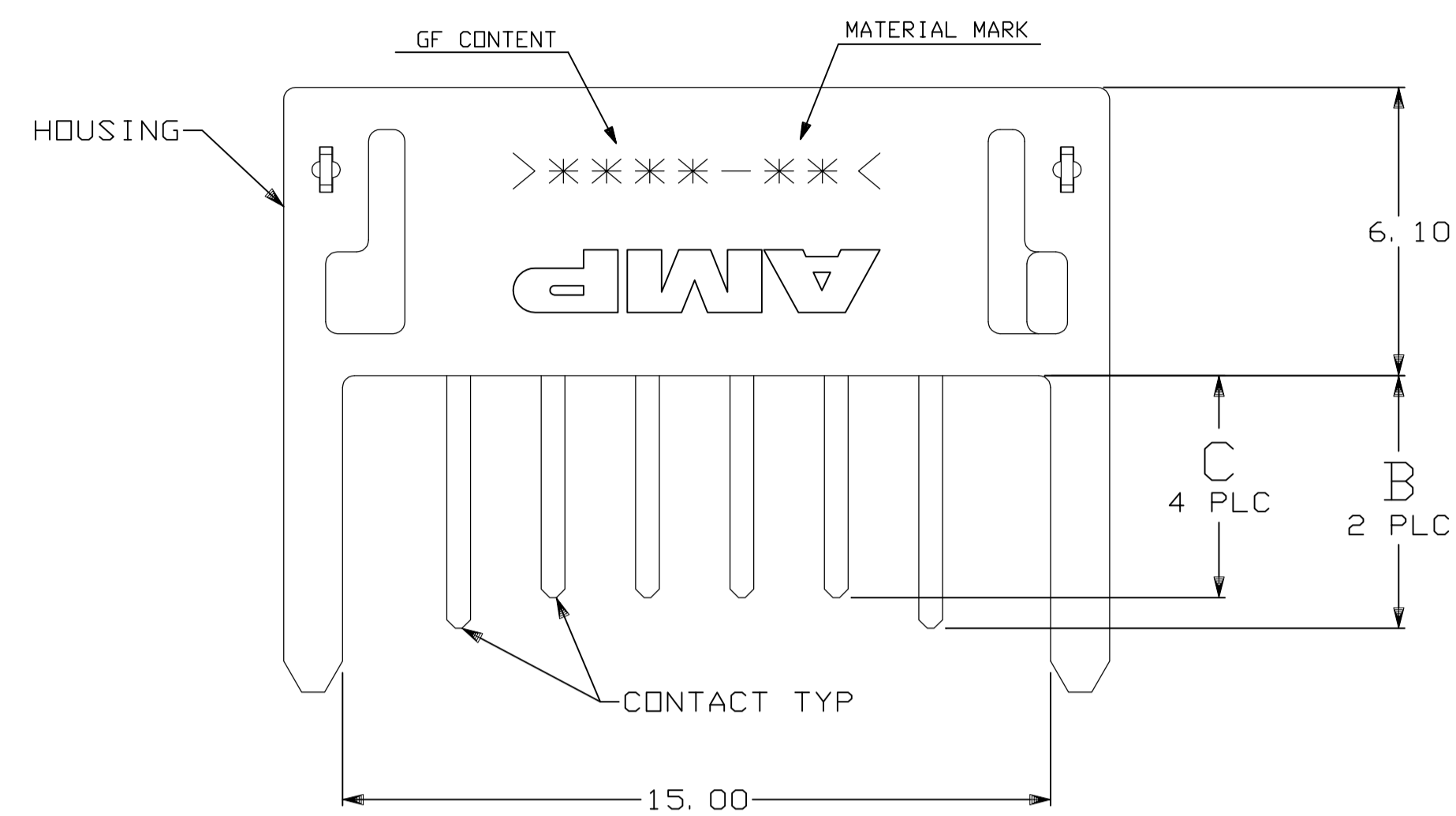


| LOC | DIST | REVISIONS | | | |
|-----|------|-------------------------------------|---------|-----|------|
| P | LTR | DESCRIPTION | DATE | DMN | APVD |
| A | | Released ECR-06-007005 | 22MAR05 | A.S | S.Y |
| A1 | | REVISED PER ECO-09-024927 | 07NOV09 | KK | AEG |
| A2 | | OBSOLETE, REVISED PER ECO-17-016893 | 01DEC17 | AL | WH |



OBSOLETE

- ① HOUSING: LCP, 94V-0 RATED, BLACK
 CONTACTS: BRASS ALLOY
 BOARDLOCKS: COPPER ALLOY.
- ② CONTACTS: 0.076um MINIMUM NICKEL OVER 0.76um MINIMUM PALLADIUM
 NICKEL ON MATING SURFACE, 0.127um MINIMUM TIN ON SOLDER
 TAIL, ALL OVER 1.27um MINIMUM NICKEL.
 BOARDLOCKS: 3.80um MINIMUM TIN OVER 1.27um MINIMUM NICKEL.
- ③ DATUMS AND BASIC DIMENSION ESTABLISHED BY CUSTOMER.
- ④ RECOMMENDED MINIMUM TRACE WIDTH FOR END POSITIONS WHEN CARRYING
 4 AMPS: 1.8 WIDE x 55um THICK, BOTH SIDES.
- ⑤ PRELIMINARY. NOT RELEASED FOR PRODUCTION.
- ⑥ OBSOLETE PARTS: OBSOLETE CIS STREAMLINING PER D.RENAUD/D.SINISI

| | | | | | | |
|----------|---|-------|------|------|------|--------------|
| OBSOLETE | ① | 10.80 | 4.70 | 5.35 | 2.00 | ④ -5146877-5 |
| ④ | ① | 12.80 | 4.70 | 5.35 | 2.00 | ④ -5146877-4 |
| ④ | ① | 12.80 | 5.20 | 6.10 | 2.00 | ④ -5146877-3 |
| OBSOLETE | ① | 12.80 | 5.20 | 6.10 | 1.11 | ④ -5146877-2 |
| OBSOLETE | ① | 12.80 | 4.70 | 5.35 | 1.11 | ④ -5146877-1 |

| MATERIAL | D | C | B | A | PART NUMBER |
|----------|---|---|---|---|-------------|
| | | | | | |

| | | | | | | | | | | | | | | | | | | | | |
|---|--------|-------------------------|---|---|---|-------|---|---|-------|---|------|-------|---|---|-------|---|---|--------|---|---|
| THIS DRAWING IS A CONTROLLED DOCUMENT. | | DMN GAVIN ZHANG 07DEC04 | Tyco Electronics Corporation Shanghai, P.R.China, 200233 | | | | | | | | | | | | | | | | | |
| DIMENSIONS: mm | | CHK STEVEN YAO 07DEC04 | | | | | | | | | | | | | | | | | | |
| TOLERANCES UNLESS OTHERWISE SPECIFIED: | | APVD T. ENOMOTO 07DEC04 | | | | | | | | | | | | | | | | | | |
| <table border="1"> <tr><td>0 PLC</td><td>±</td><td>-</td></tr> <tr><td>1 PLC</td><td>±</td><td>-</td></tr> <tr><td>2 PLC</td><td>±</td><td>0.13</td></tr> <tr><td>3 PLC</td><td>±</td><td>-</td></tr> <tr><td>4 PLC</td><td>±</td><td>-</td></tr> <tr><td>ANGLES</td><td>±</td><td>-</td></tr> </table> | | 0 PLC | | ± | - | 1 PLC | ± | - | 2 PLC | ± | 0.13 | 3 PLC | ± | - | 4 PLC | ± | - | ANGLES | ± | - |
| 0 PLC | ± | - | | | | | | | | | | | | | | | | | | |
| 1 PLC | ± | - | | | | | | | | | | | | | | | | | | |
| 2 PLC | ± | 0.13 | | | | | | | | | | | | | | | | | | |
| 3 PLC | ± | - | | | | | | | | | | | | | | | | | | |
| 4 PLC | ± | - | | | | | | | | | | | | | | | | | | |
| ANGLES | ± | - | | | | | | | | | | | | | | | | | | |
| MATERIAL | FINISH | PRODUCT SPEC | APPLICATION SPEC | | | | | | | | | | | | | | | | | |
| | ④ | WEIGHT | SCALE | | | | | | | | | | | | | | | | | |
| | | CUSTOMER DRAWING | 8:1 | | | | | | | | | | | | | | | | | |

| | | | |
|-------|-----------|------------|---------------|
| SIZE | CAGE CODE | DRAWING NO | RESTRICTED TO |
| A1 | 00779 | C=5146877 | - |
| SCALE | SHEET | OF | REV |
| 8:1 | 1 | 1 | A2 |