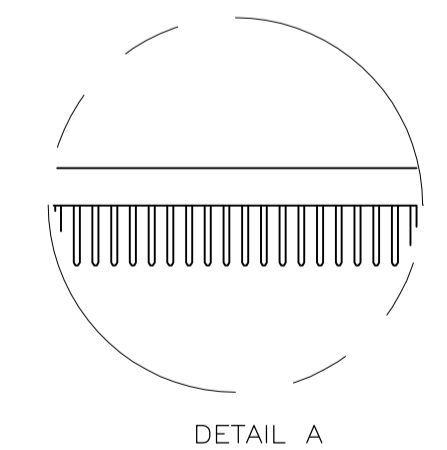


⌀0.00 [.000] (M) D (M) E (M) TYP



- ① HOUSING: HIGH TEMPERATURE THERMOPLASTIC. COLOR - NATURAL
  - ② CONTACT: PHOSPHOR BRONZE.
  - ③ METAL HOLD DOWN: BRASS
  - ④ CONTACT FINISH: .001269 [.000050] MIN NICKEL ALL OVER. GOLD FLASH OVER NICKEL IN CONTACT AREA. .002537 [.000100] MIN MATTE TIN OVER NICKEL ON SOLDER TAILS.
  - ⑤ CONTACT FINISH: .001269 [.000050] MIN NICKEL ALL OVER. .000375 [.000015] GOLD OVER NICKEL IN CONTACT AREA. .002537 [.000100] MIN MATTE TIN OVER NICKEL ON SOLDER TAILS.
  - ⑥ CONTACT FINISH: .001269 [.000050] MIN NICKEL ALL OVER. .000757 [.000030] GOLD OVER NICKEL IN CONTACT AREA. .002537 [.000100] MIN MATTE TIN OVER NICKEL ON SOLDER TAILS.
  - ⑦ DISTANCE FROM CONTACT POINT TO BOTTOM OF CARD SLOT.
  - ⑧ METAL HOLD DOWN FINISH: .001269 [.000050] MIN NICKEL ALL OVER, .003809 [.000150] MIN MATTE TIN ALL OVER.
  - ⑨ AMP PART NUMBER, DATE CODE AND CSA LOGO MARKED IN APPROXIMATE LOCATION SHOWN.
  - ⑩ CORED OR SOLID SIDE WALLS ARE AT DISCRETION OF AMP INCORPORATED.
  - ⑪ HOUSING: HIGH TEMPERATURE THERMOPLASTIC COLOR- GREEN, PANTONE COLORS 355C OR 365C
  - ⑫ HOUSING: HIGH TEMPERATURE THERMOPLASTIC COLOR: BLACK
  - ⑬ OBSOLETE PARTS: OBSOLETE CIS STREAMLINING PER D.RENAUD/D.SINISI
- SEE SHEET 2 FOR HOLE PATTERN

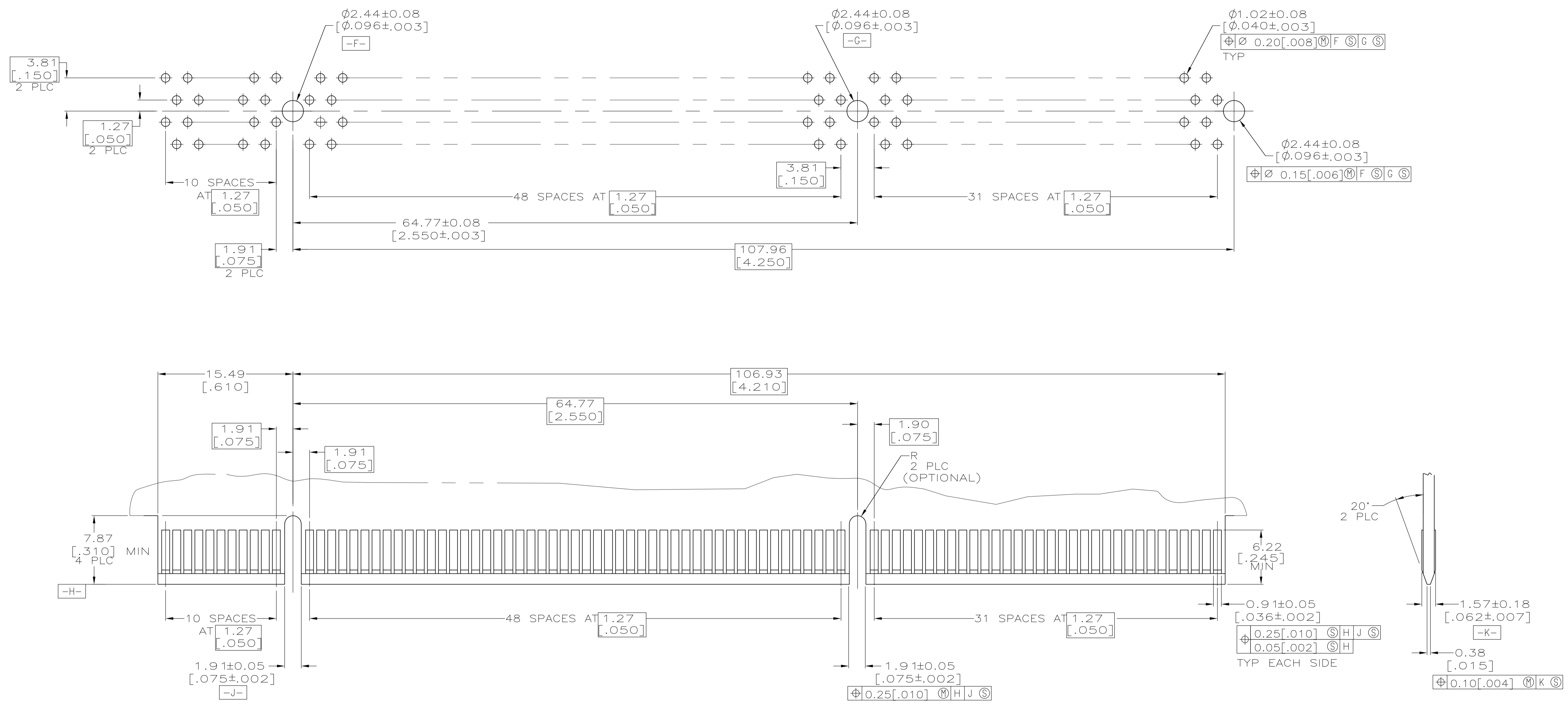
⑬ OBSOLETE	⑫ 2.54 [.100]	⑪ 2-5145168-9
	⑩ 3.18 [.125]	⑨ 2-5145168-8
	⑧ 3.56 [.140]	⑦ 1-5145168-2
	⑦ 3.18 [.125]	⑥ 5145168-8
	⑥ 2.54 [.100]	⑤ 5145168-4
	⑤ 2.54 [.100]	④ 5145168-2
	④ 2.54 [.100]	③ 5145168-1
HSG MATL	W	FINISH
		PART NUMBER

THIS DRAWING IS A CONTROLLED DOCUMENT.

DIMENSIONS: mm	TOLERANCES UNLESS OTHERWISE SPECIFIED:	0 PLC ± -	1 PLC ± -	2 PLC ± 0.25 [.01]	3 PLC ± 0.127 [.005]	4 PLC ± ± Z	ANGLES ± ± Z
MATERIAL	FINISH	WEIGHT	SIZE	SCALE	CAGE CODE	DRAWING NO	RESTRICTED TO
1 2 3 1 1 2	4 5 6 8	-	A1	4:1	00779	5145168	REV B2

AL FRANTUM 22 JAN 05  
AL FRANTUM 22 JAN 05  
S FLICKINGER 25 JULY 2006  
NAME: CONNECTOR ASSEMBLY, 92 DUAL POSITION, 1.27 (.050) SERIES  
PRODUCT SPEC: 108-14034  
APPLICATION SPEC: 114-26012  
CUSTOMER DRAWING

STE TE Connectivity



THIS DRAWING IS A CONTROLLED DOCUMENT.		DN AL FRANTUM 22 JAN 05	 TE Connectivity
DIMENSIONS: mm		CHK AL FRANTUM 22 JAN 05	
TOLERANCES UNLESS OTHERWISE SPECIFIED:		APVD S. FLICKINGER 26JULY2006	NAME
0 PLC ± -		PRODUCT SPEC	CONNECTOR ASSEMBLY, 92 DUAL POSITION, 1.27 (.050) SERIES
1 PLC ± -		APPLICATION SPEC	108-14034
2 PLC ± 0.25 [.01]		SIZE	A1
3 PLC ± 0.127 [.005]		WEIGHT	000779
4 PLC ± -		RESTRICTED TO	5145168
ANGLES ± -		CUSTOMER DRAWING	SCALE 4:1 SHEET 2 OF 2 REV B1