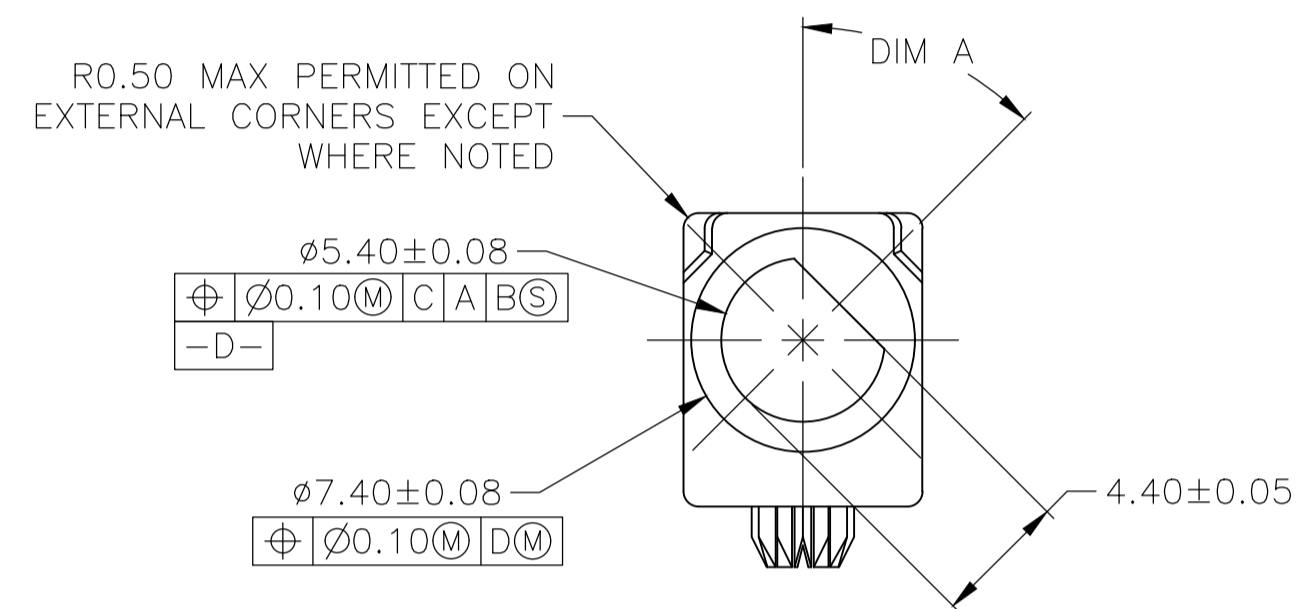
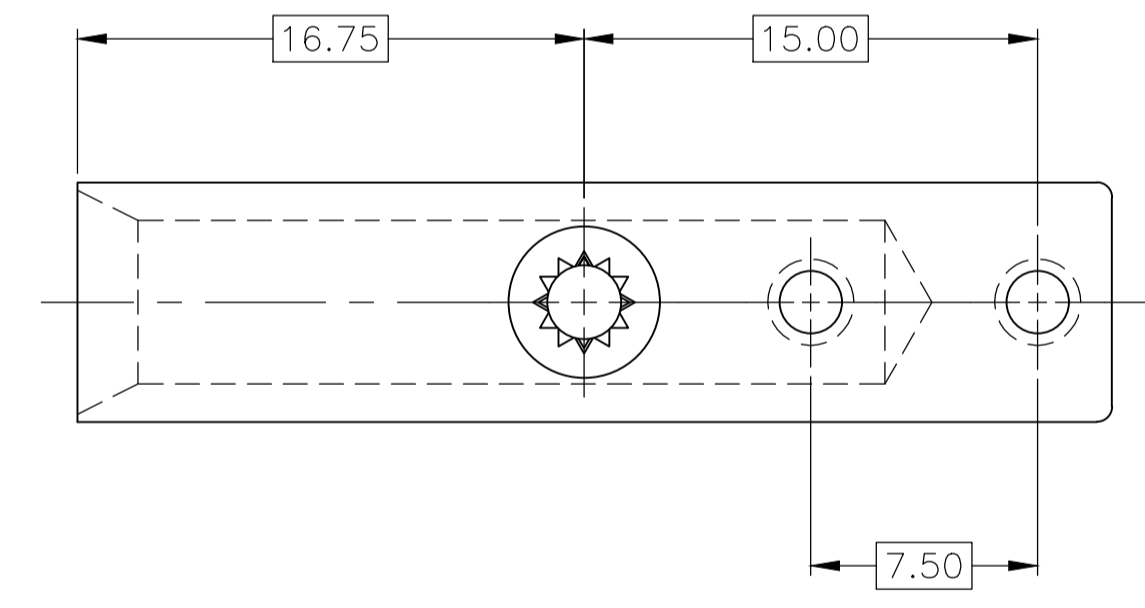
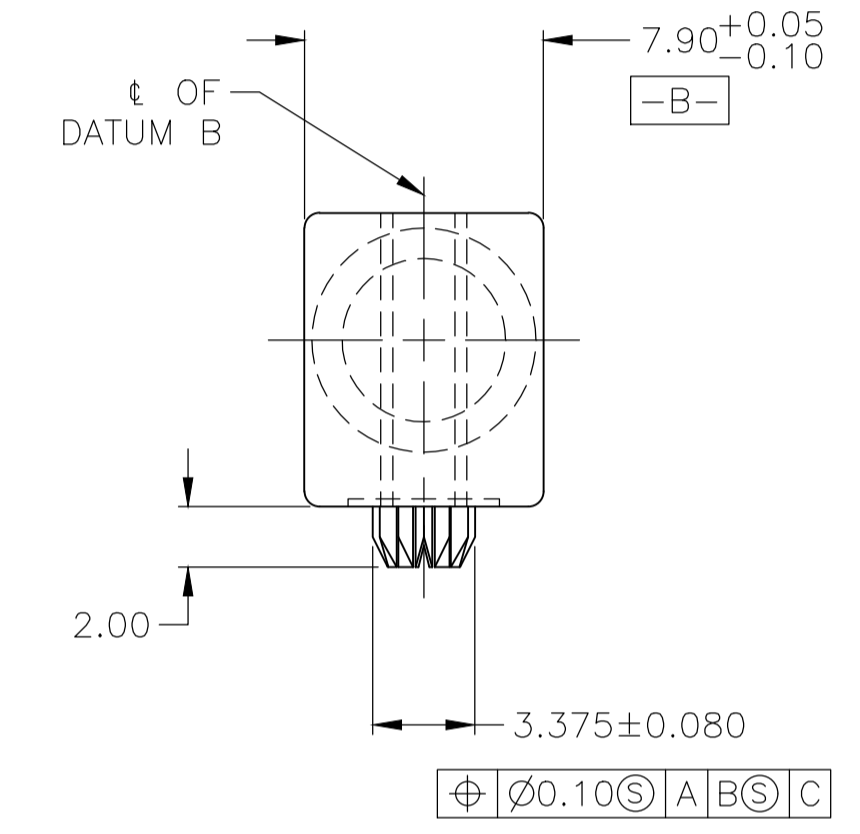
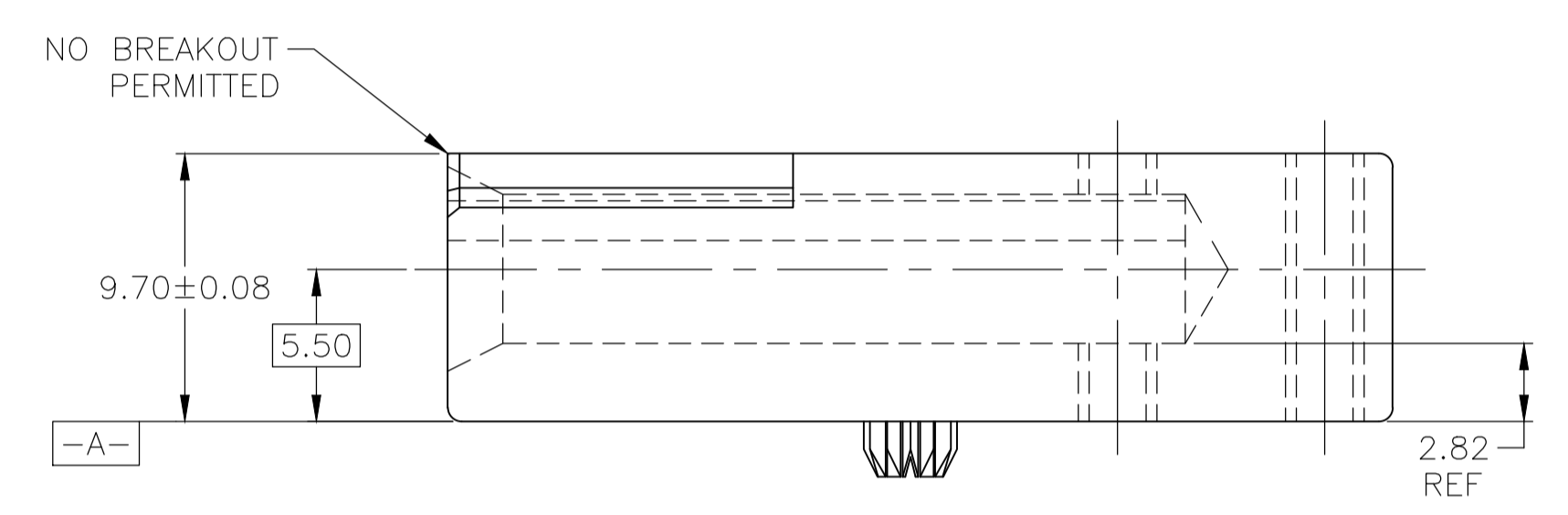


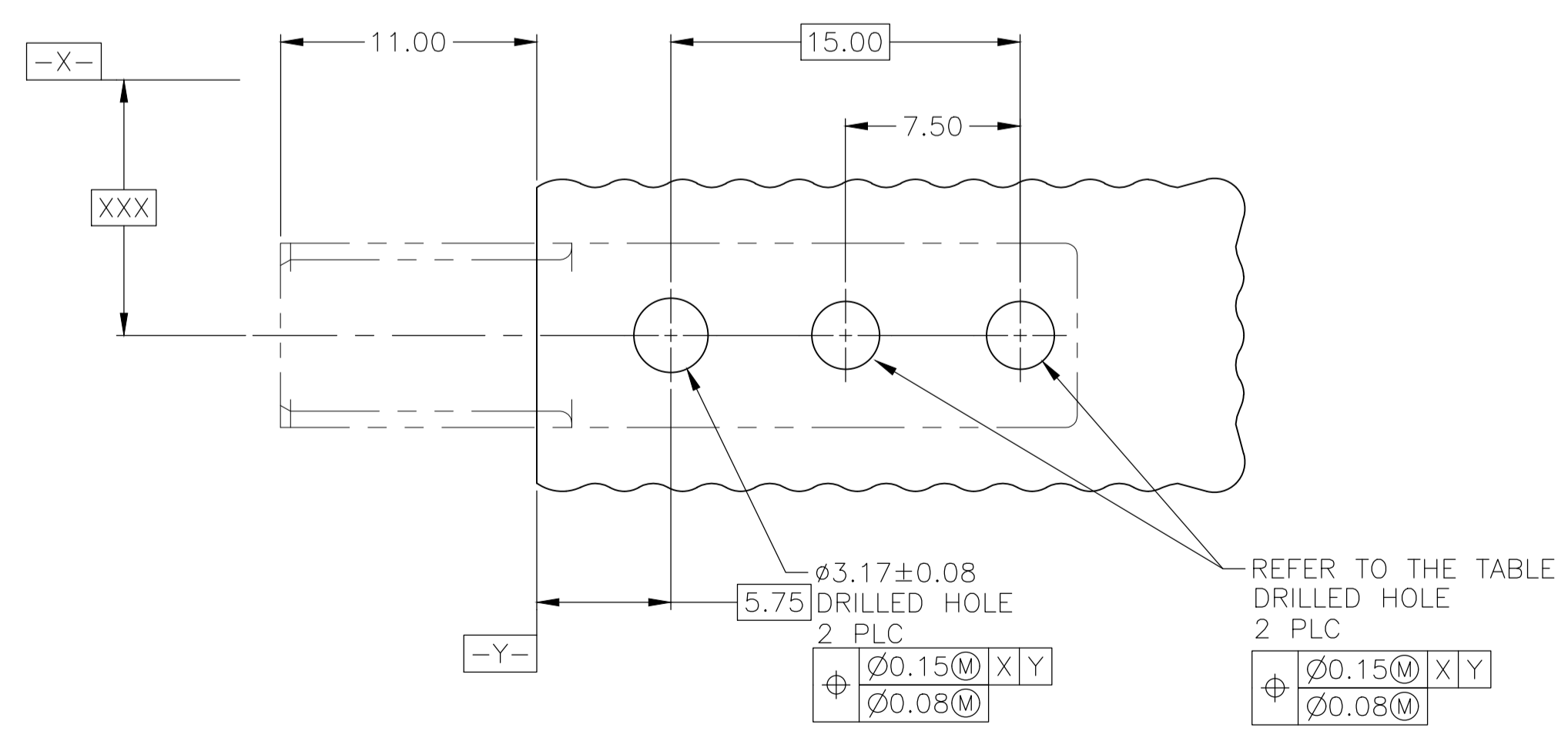
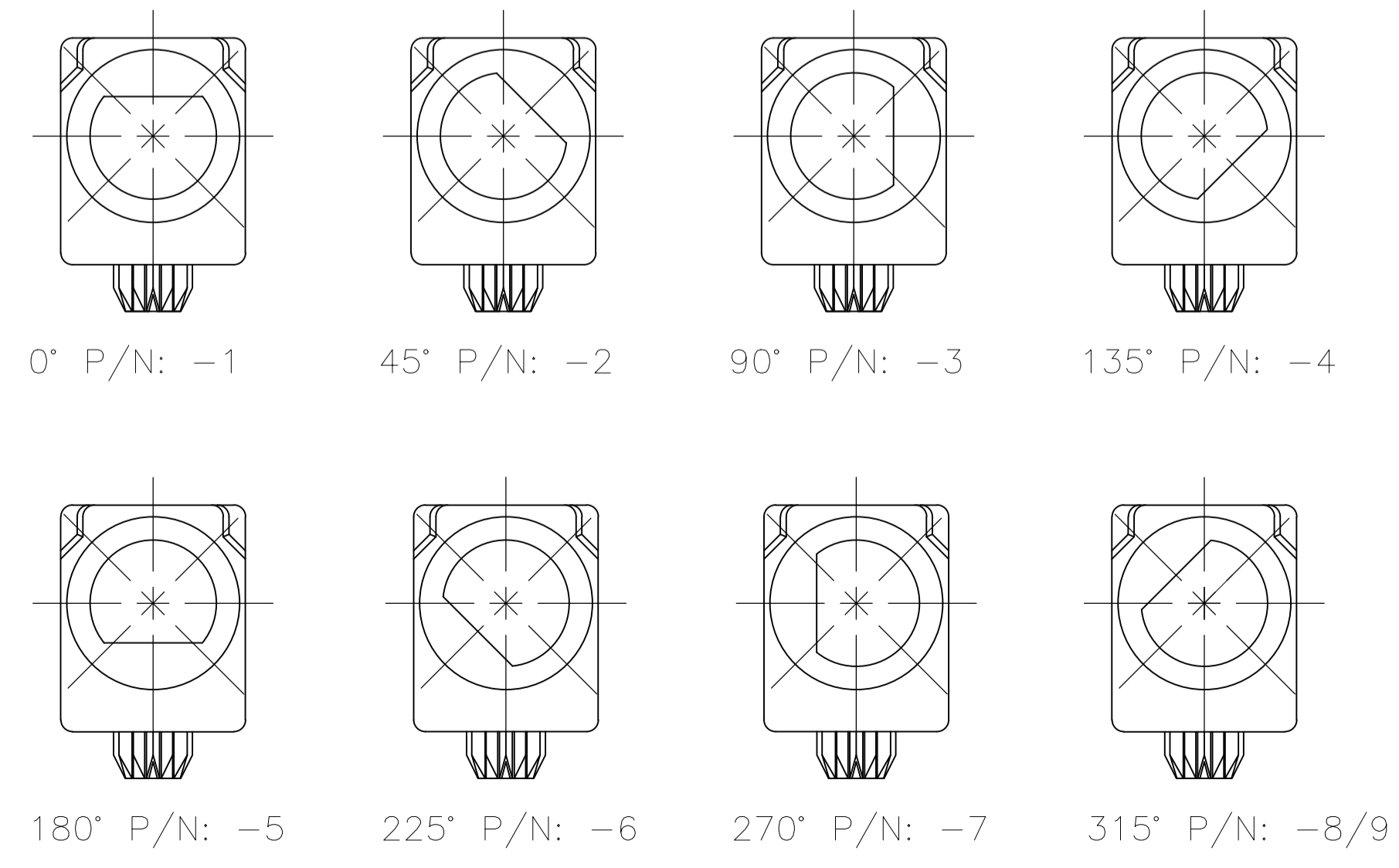
- 1 MATERIAL: ZINC ALLOY DIE CASTING.
- 2 SURFACE FINISH: CHROMATE CONVERSION COATING. (ROHS COMPATIBLE).



P/N 5120913-2 AS SHOWN



PRODUCT KEY FEATURE ANGLE VIEW



FOOT PRINT

DRILLED HOLE	THREAD TYPE	KEYING POSN	DIM A	PART NUMBER
$\text{Ø}3.20\pm0.08$	M3x0.5-6H	9	315°	5120913-9
$\text{Ø}2.90\pm0.08$	M2.6x0.45-6H	8	315°	5120913-8
$\text{Ø}2.90\pm0.08$	M2.6x0.45-6H	7	270°	5120913-7
$\text{Ø}2.90\pm0.08$	M2.6x0.45-6H	6	225°	5120913-6
$\text{Ø}2.90\pm0.08$	M2.6x0.45-6H	5	180°	5120913-5
$\text{Ø}2.90\pm0.08$	M2.6x0.45-6H	4	135°	5120913-4
$\text{Ø}2.90\pm0.08$	M2.6x0.45-6H	3	90°	5120913-3
$\text{Ø}2.90\pm0.08$	M2.6x0.45-6H	2	45°	5120913-2
$\text{Ø}2.90\pm0.08$	M2.6x0.45-6H	1	0°	5120913-1

THIS DRAWING IS A CONTROLLED DOCUMENT.

DIMENSIONS: MM	TOLERANCES UNLESS OTHERWISE SPECIFIED:	0 PLC \pm -	1 PLC \pm 0.2	2 PLC \pm 0.15	3 PLC \pm -	4 PLC \pm -	ANGLES \pm 5°
MATERIAL	FINISH	WEIGHT	SCALE	SHEET	REV	CUSTOMER DRAWING	

APPROVED: J. POLIGNONE	DESAPPROD: R. PATTERSON	NAME: R. PATTERSON	PRODUCT SPEC: -
APPLICATION SPEC: 114-1103	SIZE: A1	CAGE CODE: 00779	DRAWING NO: C=5120913
Tyco Electronics Corporation Harrisburg, PA, 17105-3608		GUIDE SOCKET MODULE, FEMALE, UNIVERSAL POWER MODULE	