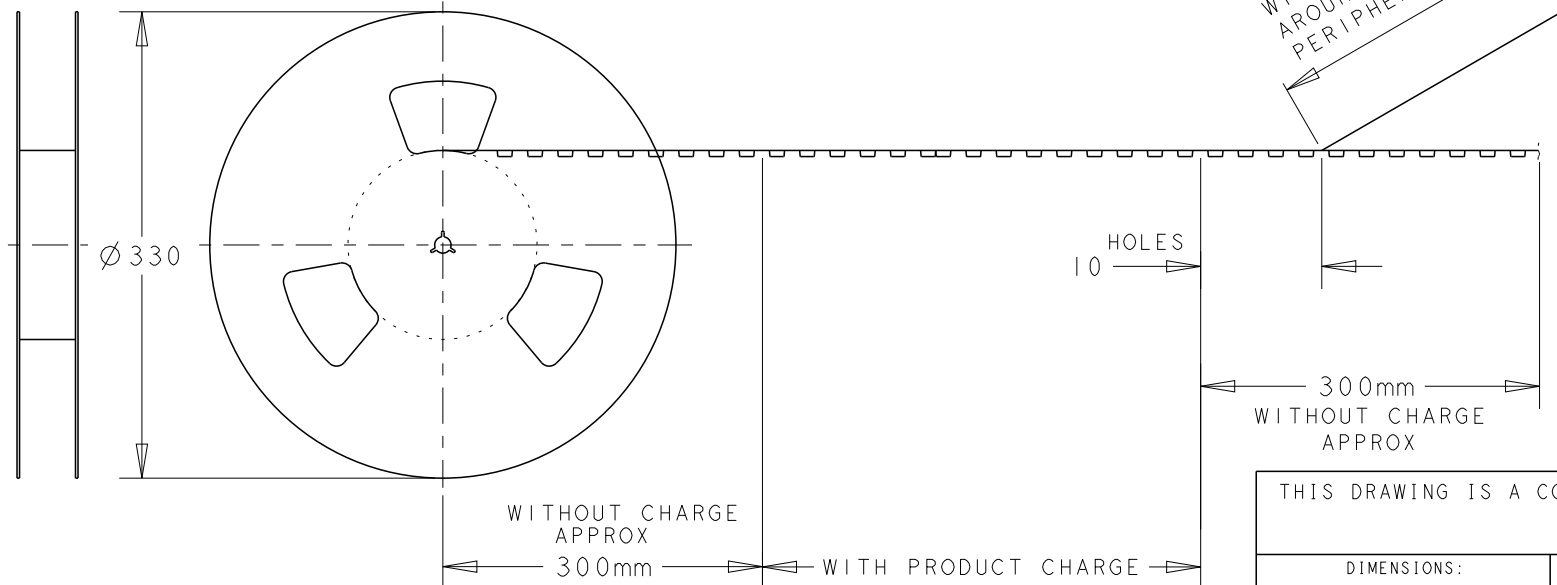
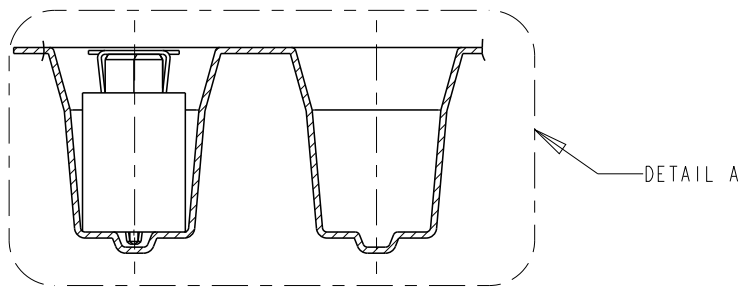
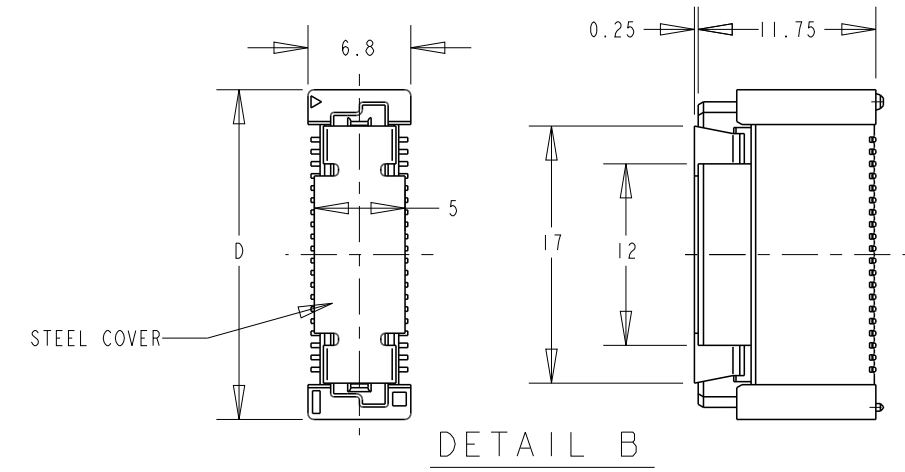
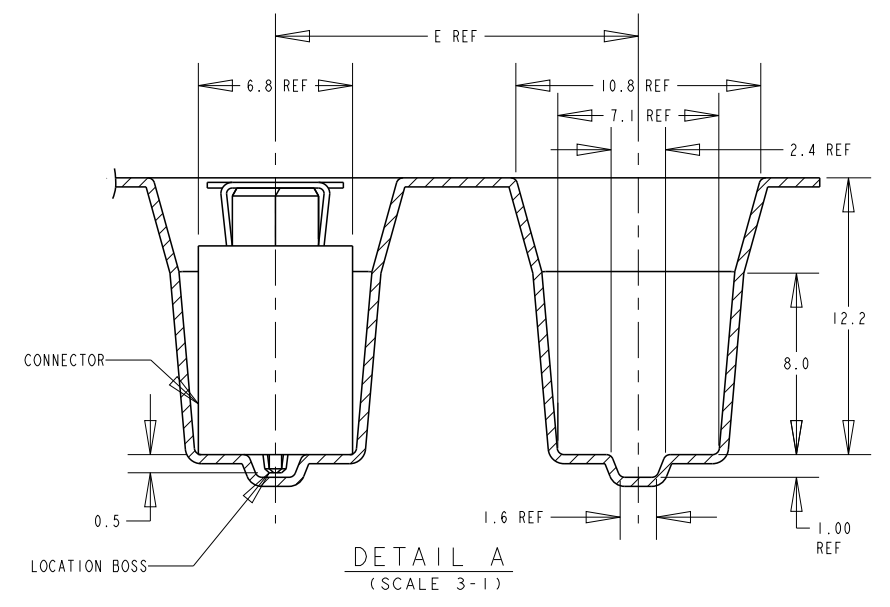
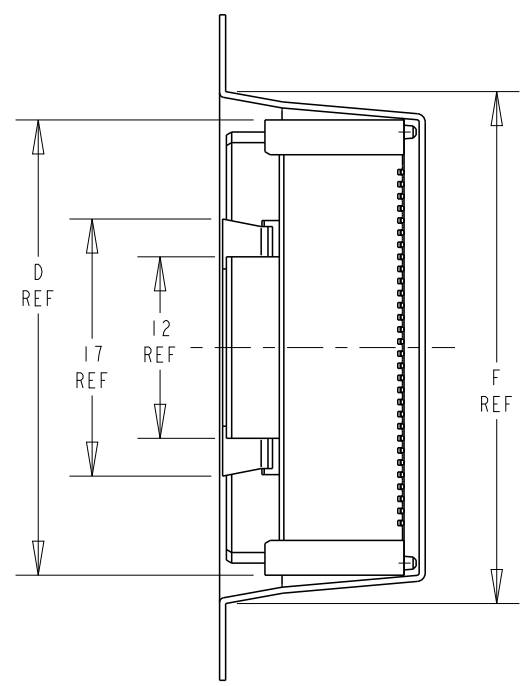
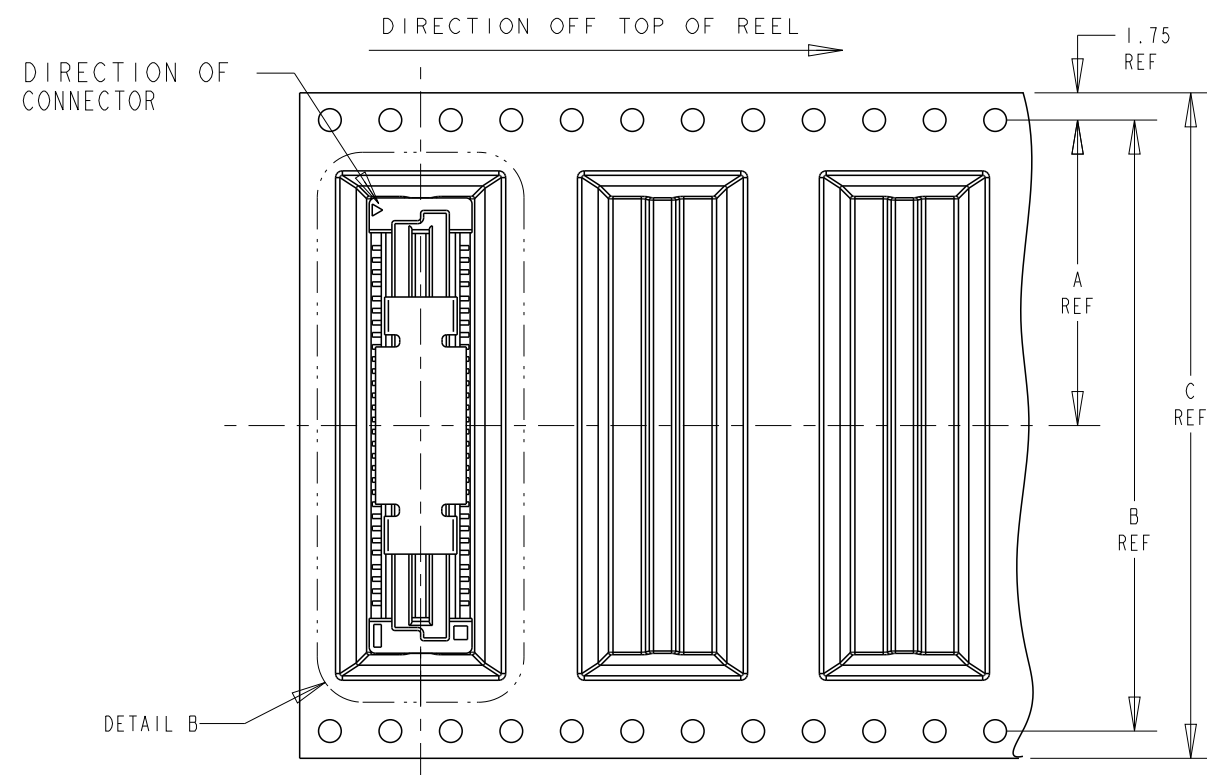


THIS DRAWING IS UNPUBLISHED. RELEASED FOR PUBLICATION 20
 © COPYRIGHT 20 BY - ALL RIGHTS RESERVED.

REVISIONS					
P	LTR	DESCRIPTION	DATE	DWN	APVD
	A3	REVISED PER ECN-23-219854	30JULY2023	A.L	H.L



AVAILABLE	200	81.8	16	77.8	104	100.4	50.2	180	5084618-9
	200	73.8	16	69.8	88	84.4	42.2	160	5084618-8
	200	33.8	16	29.8	44	40.4	20.2	60	5084618-7
	200	65.8	16	61.8	88	84.4	42.2	140	5084618-6
	200	57.8	16	53.8	72	68.4	34.2	120	5084618-5
	200	49.8	16	45.8	72	68.4	34.2	100	5084618-4
	200	41.8	16	37.8	56	52.4	26.2	80	5084618-3
	200	33.8	16	29.8	44	40.4	20.2	60	5084618-2
	200	25.8	16	21.8	44	40.4	20.2	40	5084618-1
REMARKS	QTY	F	E	D	C	B	A	POS	PART NO.

THIS DRAWING IS A CONTROLLED DOCUMENT.	
DIMENSIONS: mm	TOLERANCES UNLESS OTHERWISE SPECIFIED:
	0 PLC ±-
	1 PLC ±0.20
	2 PLC ±0.25
	3 PLC ±-
	4 PLC ANGLES ±2°
MATERIAL material_2	FINISH finish_spec_2

DWN 16SEP04 FLORENCE TAN
 CHK ERIC TNG
 APVD SE LEONG
 PRODUCT SPEC 108-5390
 APPLICATION SPEC 114-5254
 WEIGHT -

STE TE Connectivity

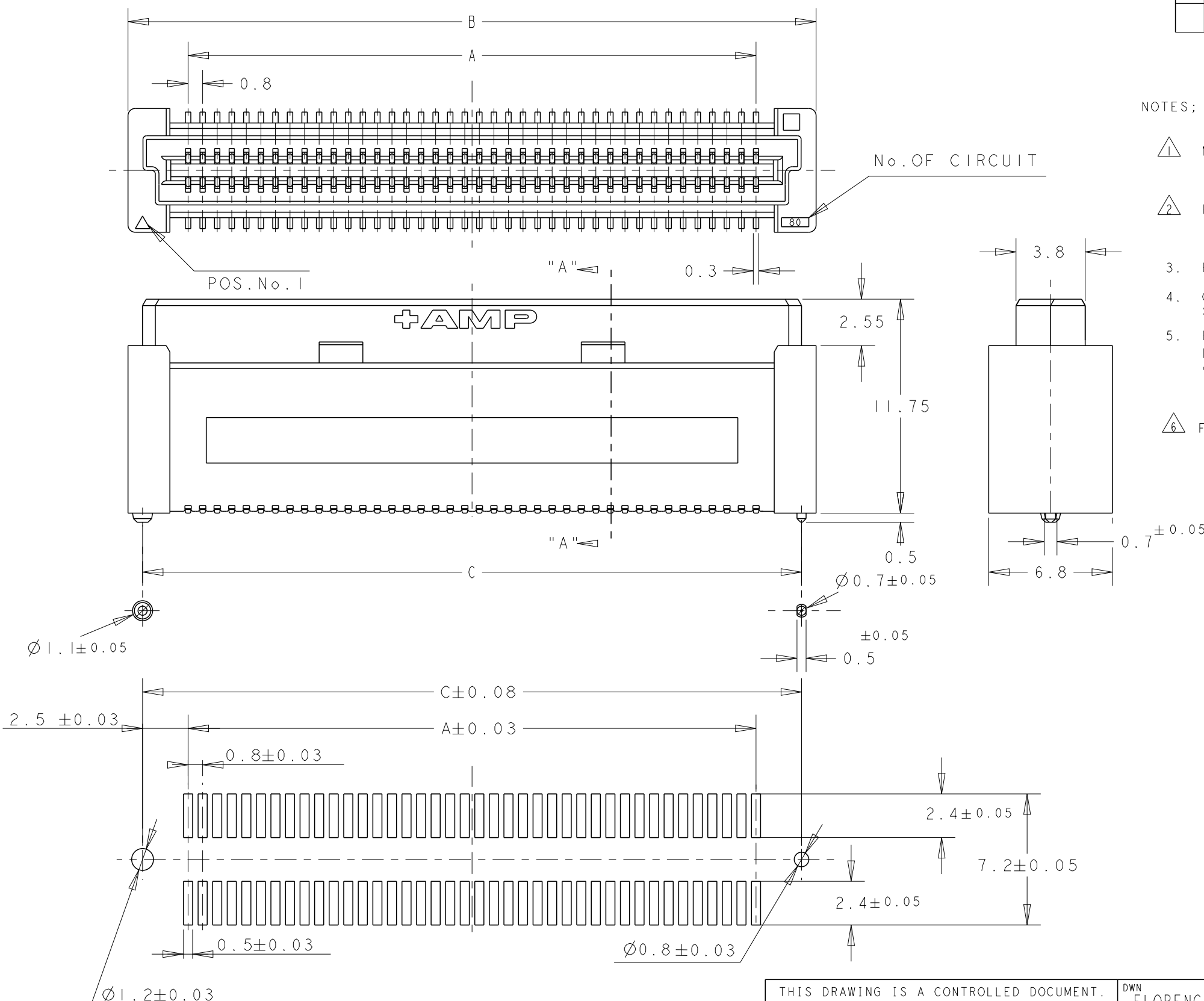
NAME RECEPTACLE ASS'Y 13H TYPE (0.5 BOSS LENGTH) FOR FH 0.8mm B-T-B CONN. ON TAPING

SIZE A3	CAGE CODE 00779	DRAWING NO C-5084618	RESTRICTED TO -
---------	-----------------	----------------------	-----------------

CUSTOMER DRAWING SCALE 2:1 SHEET 1 OF 2 REV A3

THIS DRAWING IS UNPUBLISHED. RELEASED FOR PUBLICATION 20
 © COPYRIGHT 20 BY - ALL RIGHTS RESERVED.

REVISIONS				
P	LTR	DESCRIPTION	DATE	APVD
		SEE SHEET 1		




NOTES:

- 1 MATERIAL: HOUSING: L.C.P. (HIGH TEMP. THERMOPLASTIC)
UL 94V-0, NATURAL.
CONTACT: BERYLIUM COPPER.
- 2 FINISH: CONTACT AREA: 0.00076 MIN GOLD ON
0.0013 MIN ALL OVER NICKEL.
SOLDERING AREA: 0.002 MIN MATTE-TIN
- 3. POSITION SERIES: SEE TABLE. (SHEET 2)
- 4. CONN STACK HEIGHT COMBINE OF PLUG "Y" H VS REC "X" H.
STACK HEIGHT = Y + X - 5
- 5. FOR STEEL COVER PICK AND PLACE VERSION,
DESCRIPTION PRINTING ON TUBE IS:
"REC ASS'Y (H=13mm), W/ STEEL COVER,
0.8mm BTB STACKING CONN"
- 6 FINISH: CONTACT AREA: 0.00127 MIN GOLD ON
0.0013 MIN ALL OVER NICKEL.
SOLDERING AREA: 0.002 MIN MATTE-TIN

6	28.20	29.80	23.20	60	5084618-7
2	76.20	77.80	71.20	180	5084618-9
	68.20	69.80	63.20	160	5084618-8
	60.20	61.80	55.20	140	5084618-6
	52.20	53.80	47.20	120	5084618-5
	44.20	45.80	39.20	100	5084618-4
	36.20	37.80	31.20	80	5084618-3
	28.20	29.80	23.20	60	5084618-2
	20.20	21.80	15.20	40	5084618-1
PLATING	C	B	A	POS.	PART No.

RECOMMENDED P.C. BOARD LAYOUT

(A) ADD CONNECTOR INFORMATION SHEET

THIS DRAWING IS A CONTROLLED DOCUMENT.		DWN FLORENCE TAN 16SEP04	 TE Connectivity	
DIMENSIONS: mm		CHK ERIC TNG		
TOLERANCES UNLESS OTHERWISE SPECIFIED:		APVD SE LEONG	NAME RECEPTACLE ASS'Y 13H TYPE (0.5 BOSS LENGTH) FOR FH 0.8mm B-T-B CONN. ON TAPING	
0 PLC ± 1 PLC ±0.20 2 PLC ±0.25 3 PLC ± 4 PLC ±		PRODUCT SPEC 108-5390	SIZE A3	
ANGLES ±2°		APPLICATION SPEC 114-5254	CAGE CODE 00779	DRAWING NO C=5084618
MATERIAL material_2		FINISH finish_spec_2	WEIGHT -	RESTRICTED TO -
CUSTOMER DRAWING			SCALE 2:1	SHEET 2 OF 2
			REV A3	