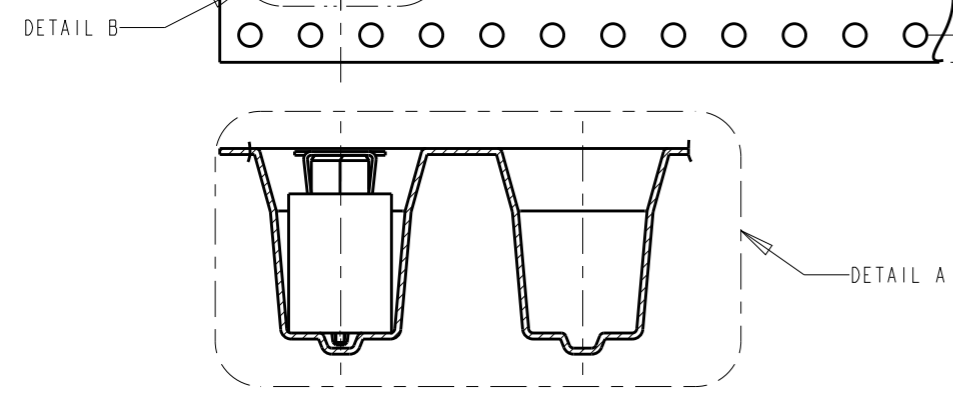
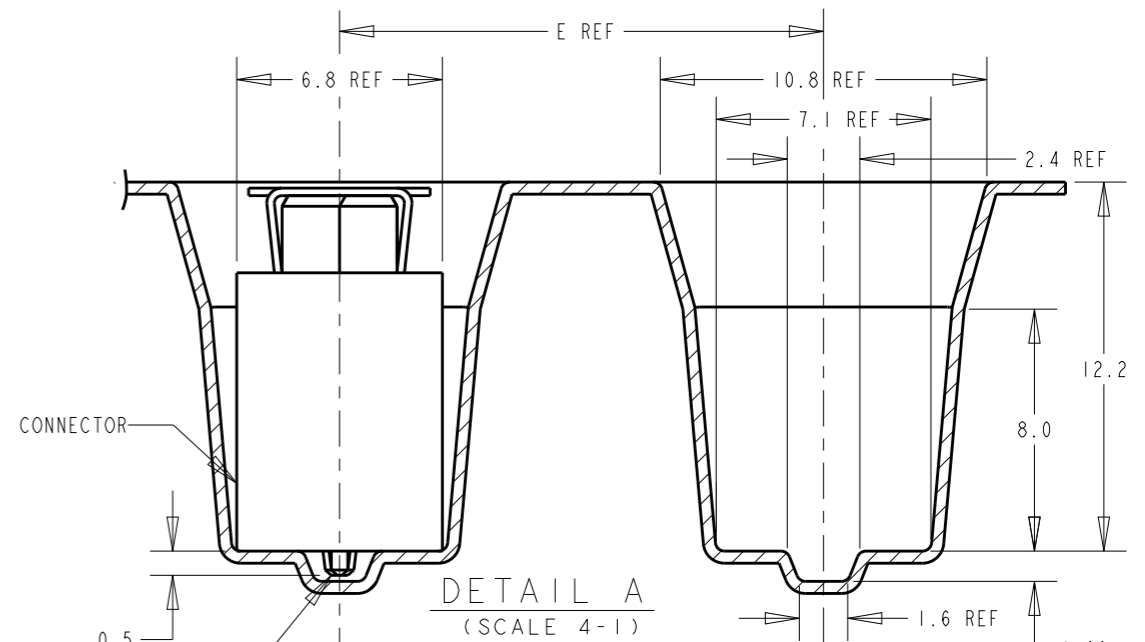
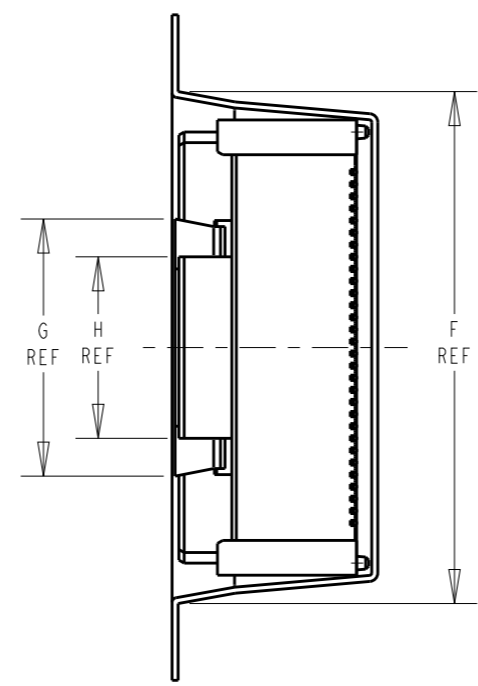
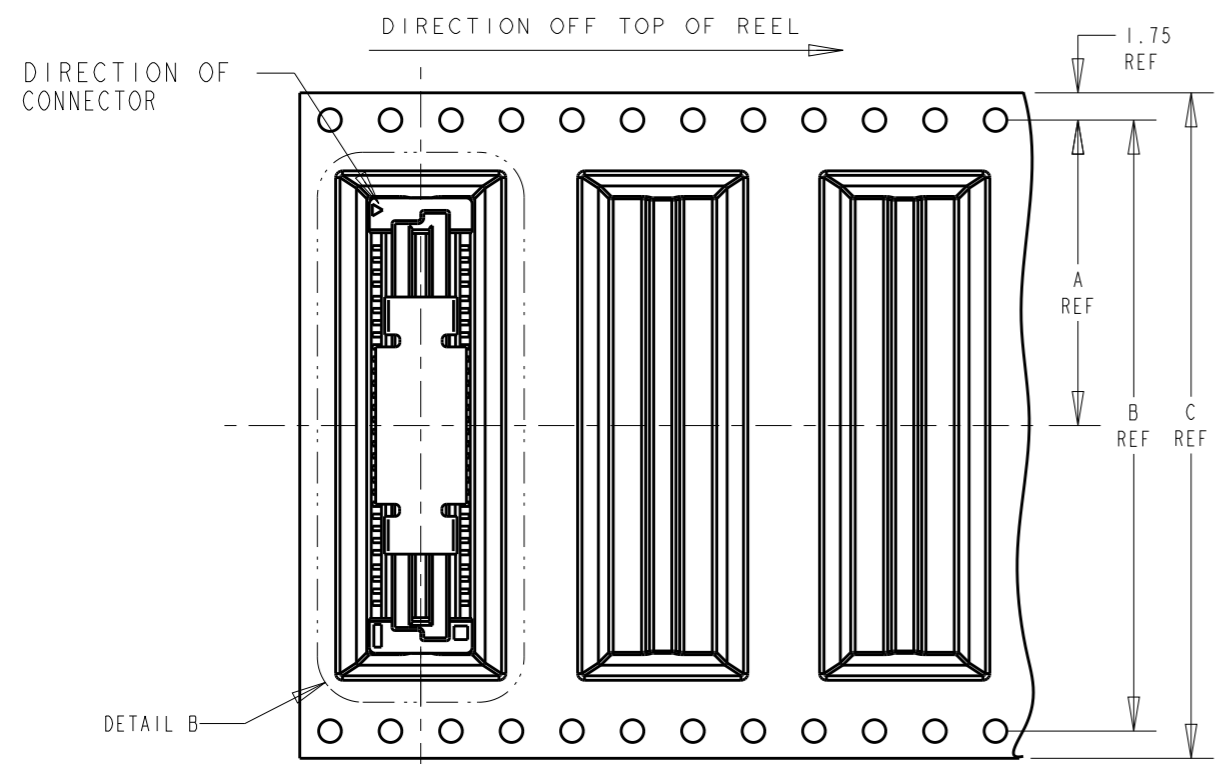
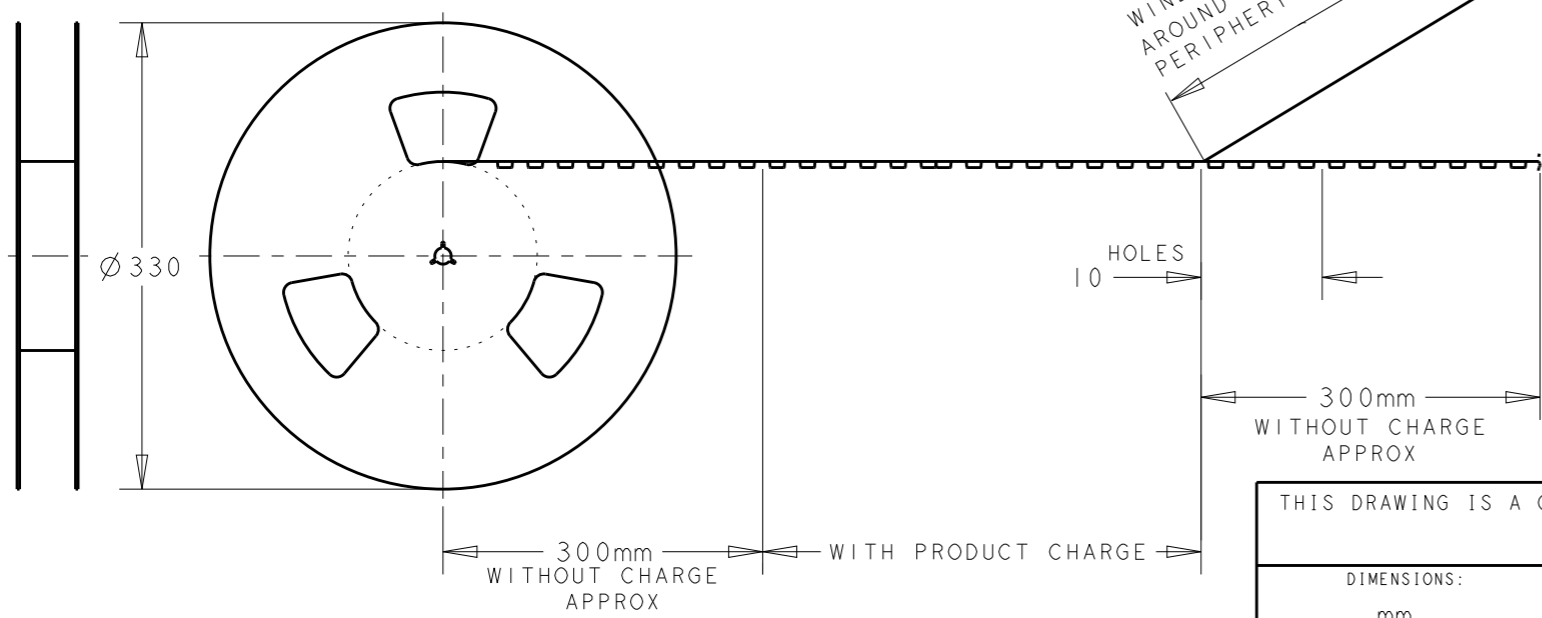


THIS DRAWING IS UNPUBLISHED. RELEASED FOR PUBLICATION 20
 © COPYRIGHT 20 BY - ALL RIGHTS RESERVED.

REVISIONS					
P	LTR	DESCRIPTION	DATE	DWN	APVD
	R	REVISED PER ECR-16-003101	30AUG2016	WL	SY



WINDING THE COVER TAPE
 AROUND THE OUTER
 PERIPHERY IN A TURN.



REMARKS	QTY	H	G	F	E	D	C	B	A	CONNECTOR P/N	POS	PART NO.
AVAILABLE	200	12	17	89.8	16	85.8	104	100.4	50.2	6-5179010-0	200	1-5084616-0
	200	12	17	81.8	16	77.8	104	100.4	50.2	5-5179010-9	180	5084616-9
	200	12	17	73.8	16	69.8	88	84.4	42.2	5-5179010-8	160	5084616-8
	200	12	17	65.8	16	61.8	88	84.4	42.2	5-5179010-6	140	5084616-6
	200	12	17	57.8	16	53.8	72	68.4	34.2	5-5179010-5	120	5084616-5
	200	12	17	49.8	16	45.8	72	68.4	34.2	5-5179010-4	100	5084616-4
	200	12	17	41.8	16	37.8	56	52.4	26.2	5-5179010-3	80	5084616-3
	200	12	17	33.8	16	29.8	44	40.4	20.2	5-5179010-2	60	5084616-2
	200	12	17	25.8	16	21.8	44	40.4	20.2	5-5179010-1	40	5084616-1

THIS DRAWING IS A CONTROLLED DOCUMENT. DWN 01SEP04 FLORENCE TAN
 CHK ERIC TNG
 APVD SE LEONG
 PRODUCT SPEC 108-5390
 APPLICATION SPEC 114-5254
 WEIGHT -

STE TE Connectivity

NAME RECEPTACLE ASS'Y 13H TYPE (0.5 BOSS LENGTH) FOR FH 0.8mm B-T-B CONN. ON TAPING

SIZE A3	CAGE CODE 00779	DRAWING NO C-5084616	RESTRICTED TO -
---------	-----------------	----------------------	-----------------

CUSTOMER DRAWING SCALE 2:1 SHEET 1 OF 1 REV R