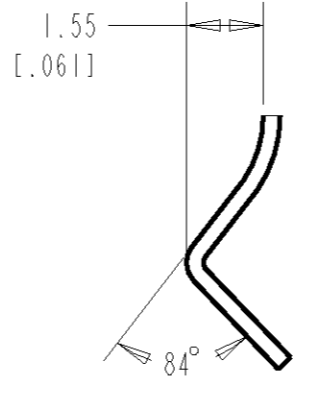
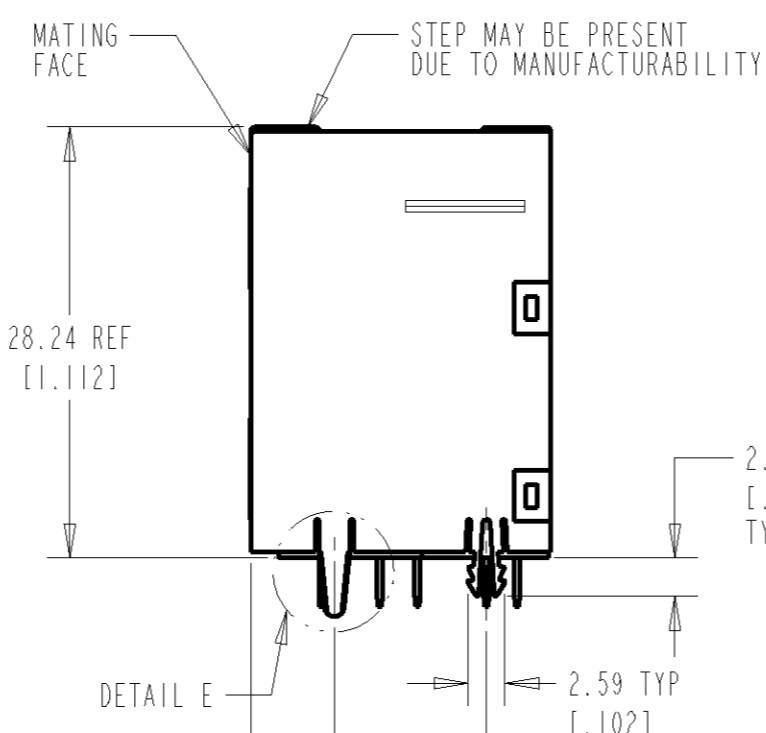
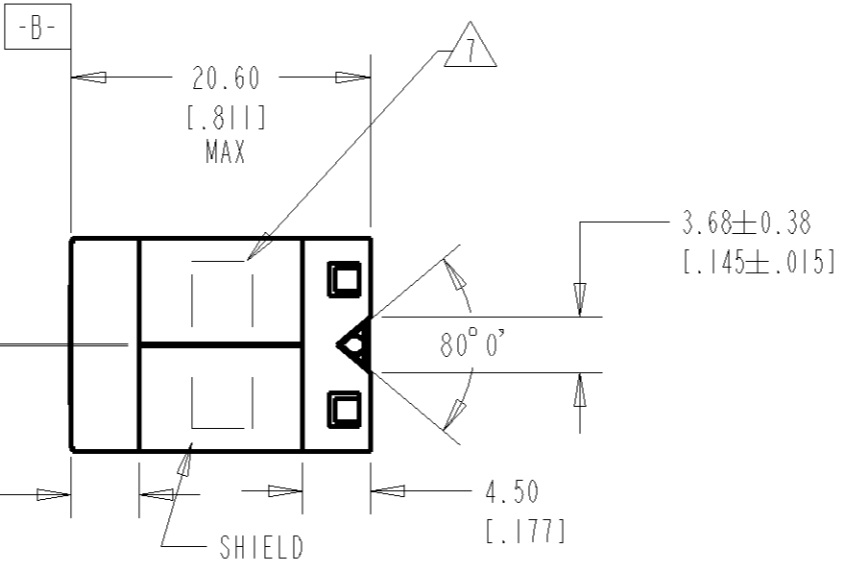
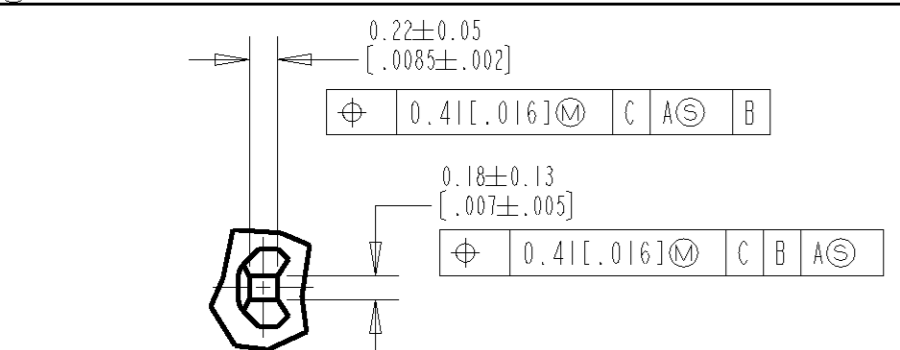


| LOC | | DIST | | REVISIONS | | | |
|-----|-----|-------------------|-----------|-----------|------|--|--|
| P | LTR | DESCRIPTION | DATE | DWN | APVD | | |
| 1 | A | PER ECR-15-013155 | 23DEC2015 | B.L | H.W | | |

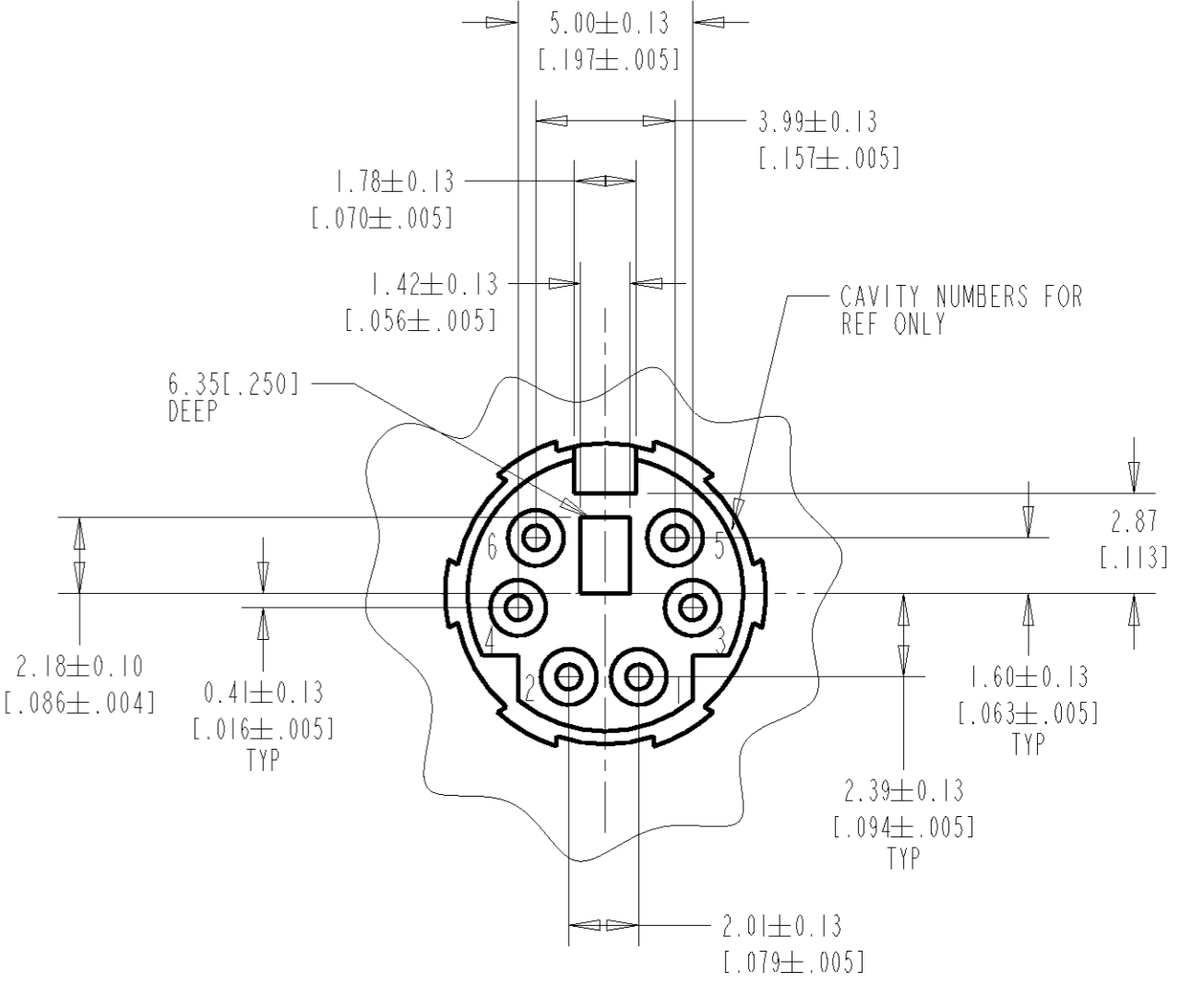
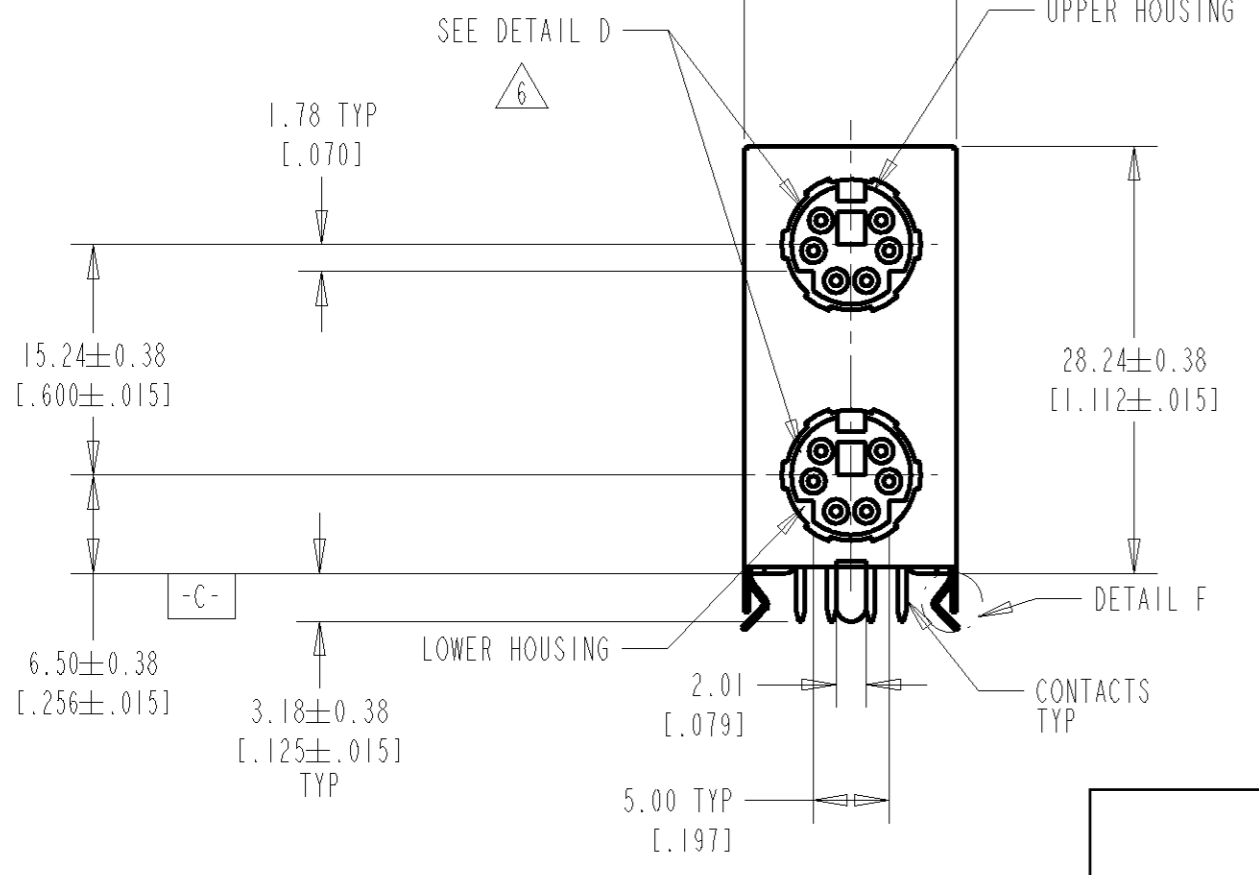
- NOTES:
- 1 CONTACT: COPPER ALLOY
 - 2 HOUSING: POLYMER, UL 94V-0 RATED, BLACK
 - 3 CONTACT PLATING: 0.76µm [0.00030] MIN GOLD FOR A LENGTH OF 1.52 [0.060] ON INSIDE FROM MATING END, 3.05µm [0.00120] MIN MATTE-TIN FOR A LENGTH OF 3.56 [0.140] FROM OPPOSITE END, BOTH OVER 1.27µm [0.00050] MIN NICKEL
 - 4 SHIELD PLATING: 2.54µm [0.00100] MIN TIN
 - 5 PRODUCT SPEC.: 108-51010 APPLICATION SPEC.: 114-51004
 - 6 SOCKET DIN AREA MUST BE ABLE TO WITHSTAND PUSH FORCE OF 15kg MIN. WITHOUT BREAKING
 - 7 DATE CODE TO BE PRINTED AT APPROX. THIS LOCATION

OBSOLETE

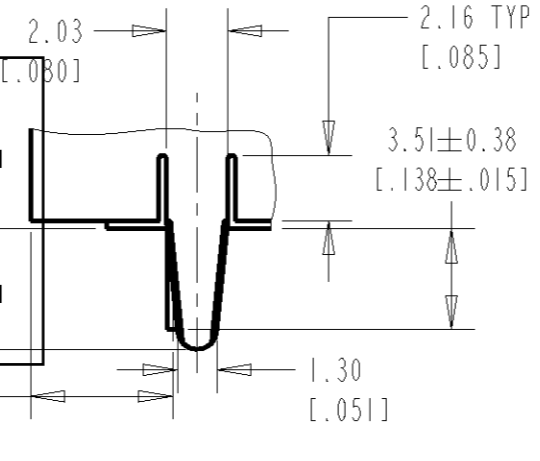
DETAIL G
SCALE 10:1



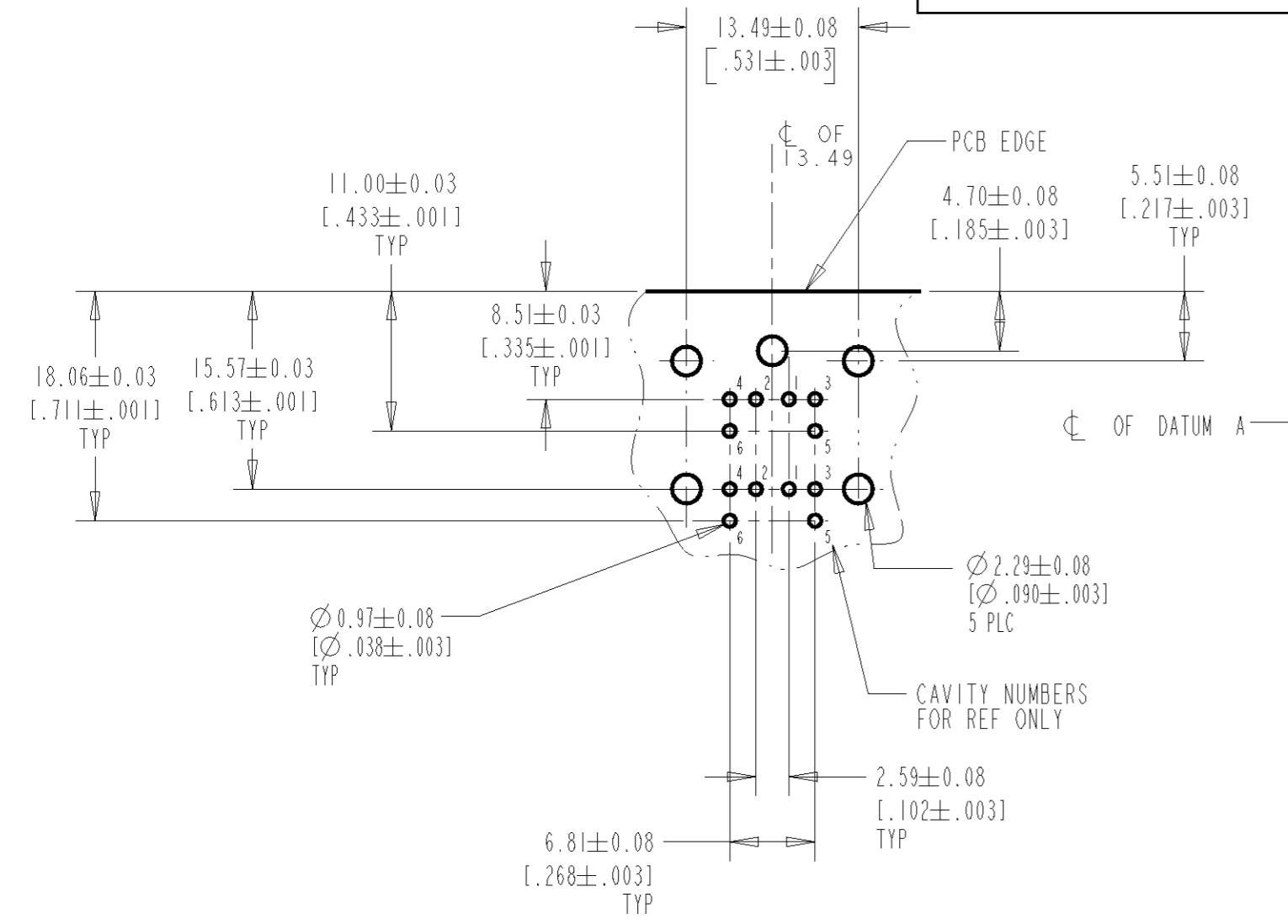
DETAIL F
SCALE 8:1



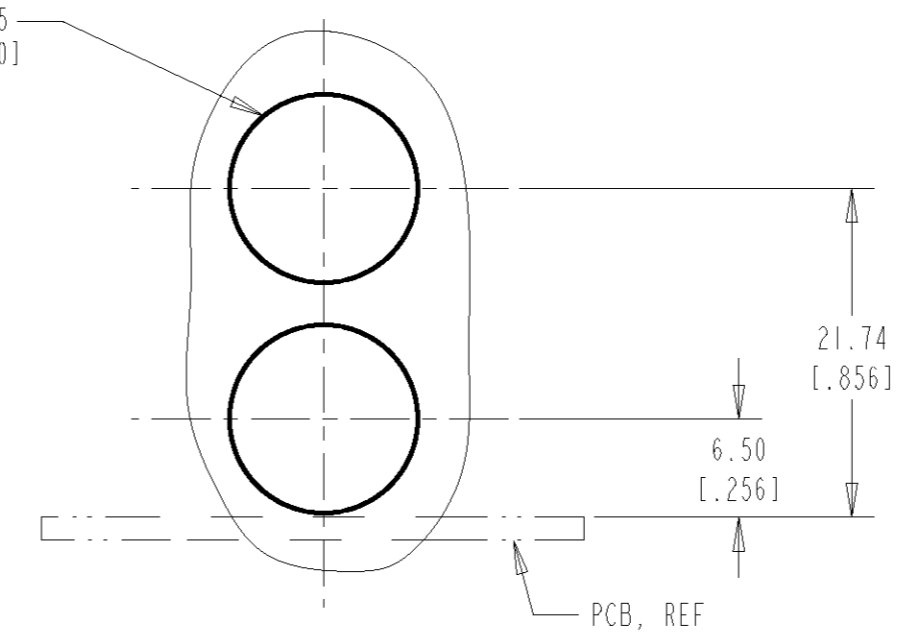
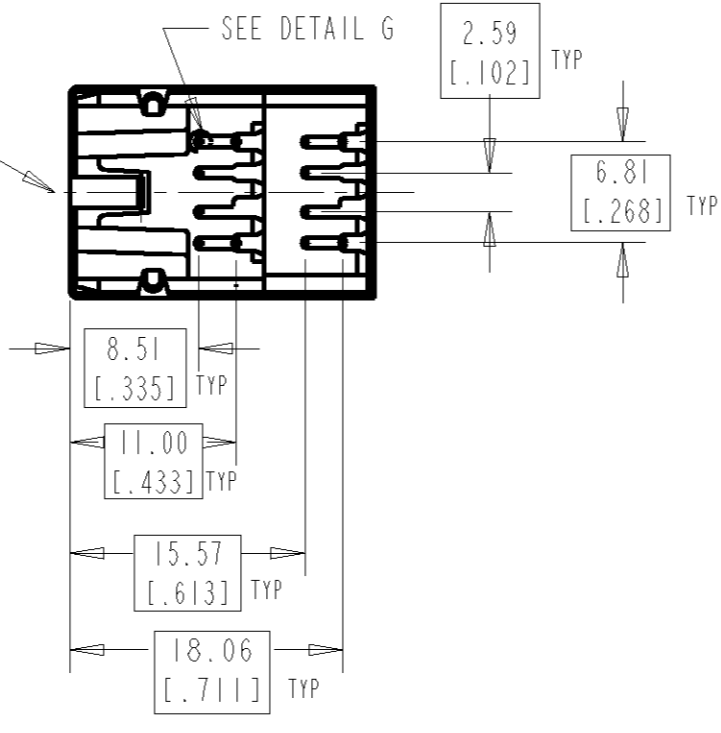
DETAIL D
SCALE 5:1



DETAIL E
SCALE 4:1



RECOMMENDED PC BOARD LAYOUT
BOTTOM VIEW



RECOMMENDED PANEL CUTOUT

| | | | | | |
|--|--|-------------------|-----------------------|---|--------------------|
| <small>THIS DRAWING IS A CONTROLLED DOCUMENT FOR AMP INCORPORATED. IT IS SUBJECT TO CHANGE AND THE CONTROLLING ENGINEERING ORGANIZATION SHOULD BE CONTACTED FOR THE LATEST REVISION.</small> | | DWN WYLEE | 30SEP2004 | tyco Tyco Electronics Singapore Pte. Ltd. | |
| DIMENSIONS: mm [INCHES] | | CHK SE LEONG | APVD SE LEONG | NAME RECEPTACLE ASSEMBLY, FIFTH BOARD MOUNT 6 POSN OVER 6 POSN, RIGHT ANGLE, STACKABLE, MINIATURE CIRCULAR DIN | |
| TOLERANCES UNLESS OTHERWISE SPECIFIED: 0 PLC ±0.2 1 PLC ±0.25 2 PLC ±0.25 3 PLC ±0.30 4 PLC ±0.30 ANGLES ±3° FINISH | | PRODUCT SPEC - | APPLICATION SPEC - | SIZE A2 | CAGE CODE 00779 |
| MATERIAL FINISH | | WEIGHT - | DRAWING NO 5084376 | SCALE 2:1 SHEET 1 OF 1 REV A | |
| CUSTOMER DRAWING | | P/N: 1 AS SHOWN | | | |