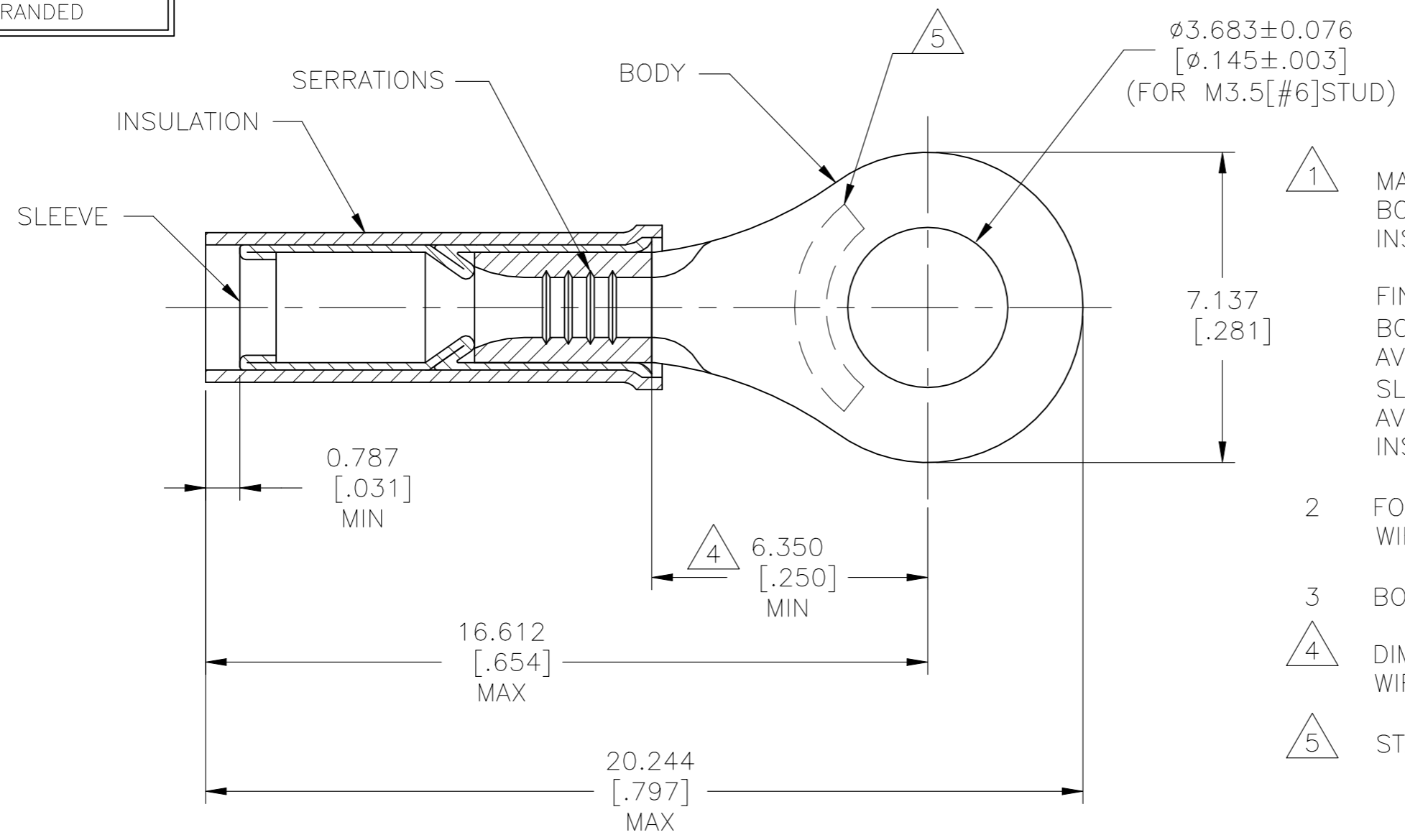


REVISIONS					
P	LTR	DESCRIPTION	DATE	DWN	APVD
	F5	ECR-22-138429	19MAY2022	LP	DSC

AMP
WIRE RANGE

18-16 AWG
STRANDED



- 1 MATERIAL:
BODY & SLEEVE - COPPER PER ASTM B152
INSULATION - PTFE PER ASTM D4895
- FINISH:
BODY - NICKEL PLATE 0.00762[.00030]
AVG EXT THK PER SAE AMS-QQ-N-290
SLEEVE - NICKEL PLATE 0.001651[.000065]
AVG EXT THK PER SAE AMS-QQ-N-290
INSULATION COLOR - ORANGE
- 2 FOR 1.397[.055] TO 3.429[.135]
WIRE INSULATION DIA.
- 3 BODY MATERIAL THK: 0.787±0.051[.031±.002]
- 4 DIMENSION APPLIES FROM EDGE OF METAL
WIRE BARREL TO CENTER OF STUD HOLE
- 5 STAMP "AMP 18-16" APPROX AS SHOWN

1000	LOOSE PIECE	50835
QTY	PACKAGE TYPE	PART NO.

AMP INCORPORATED CUSTOMER SERVICE SYSTEMS		MAX RECOMMENDED OPERATING TEMPERATURE: 288°C [550°F]	THIS DRAWING IS A CONTROLLED DOCUMENT.		DWN NAGALAKSHMI K 13OCT2015	STE TE Connectivity			
FOR ADDITIONAL PRODUCT INFORMATION OR COPIES OF DRAWINGS AND TECHNICAL DOCUMENTS	PRODUCT INFORMATION CENTER 1-800-522-6752	VOLTAGE RATING: 300V MAX	DIMENSIONS: mm [INCHES]	TOLERANCES UNLESS OTHERWISE SPECIFIED:	CHK MERCURIO MAURIZIO 13OCT2015				NAME MERCURIO MAURIZIO
FOR APPLICATION TOOLING INFORMATION	TOOLING ASSISTANCE CENTER 1-800-722-1111	CIRCULAR MIL AREA: 0.81-1.42mm²[1,600-2,800] STRANDED WIRE ONLY		0 PLC ± - 1 PLC ± - 2 PLC ± - 3 PLC ± 0.127[.005] 4 PLC ± - ± - ANGLES	APVD MERCURIO MAURIZIO 13OCT2015	PRODUCT SPEC -			
FOR ORDER ENTRY	1-800-526-5142		MATERIAL	FINISH	APPLICATION SPEC 114-2162	SIZE A3	CAGE CODE 00779	DRAWING NO C-50835	RESTRICTED TO -
					CUSTOMER DRAWING	SCALE NTS	SHEET 1 OF 1	REV F5	