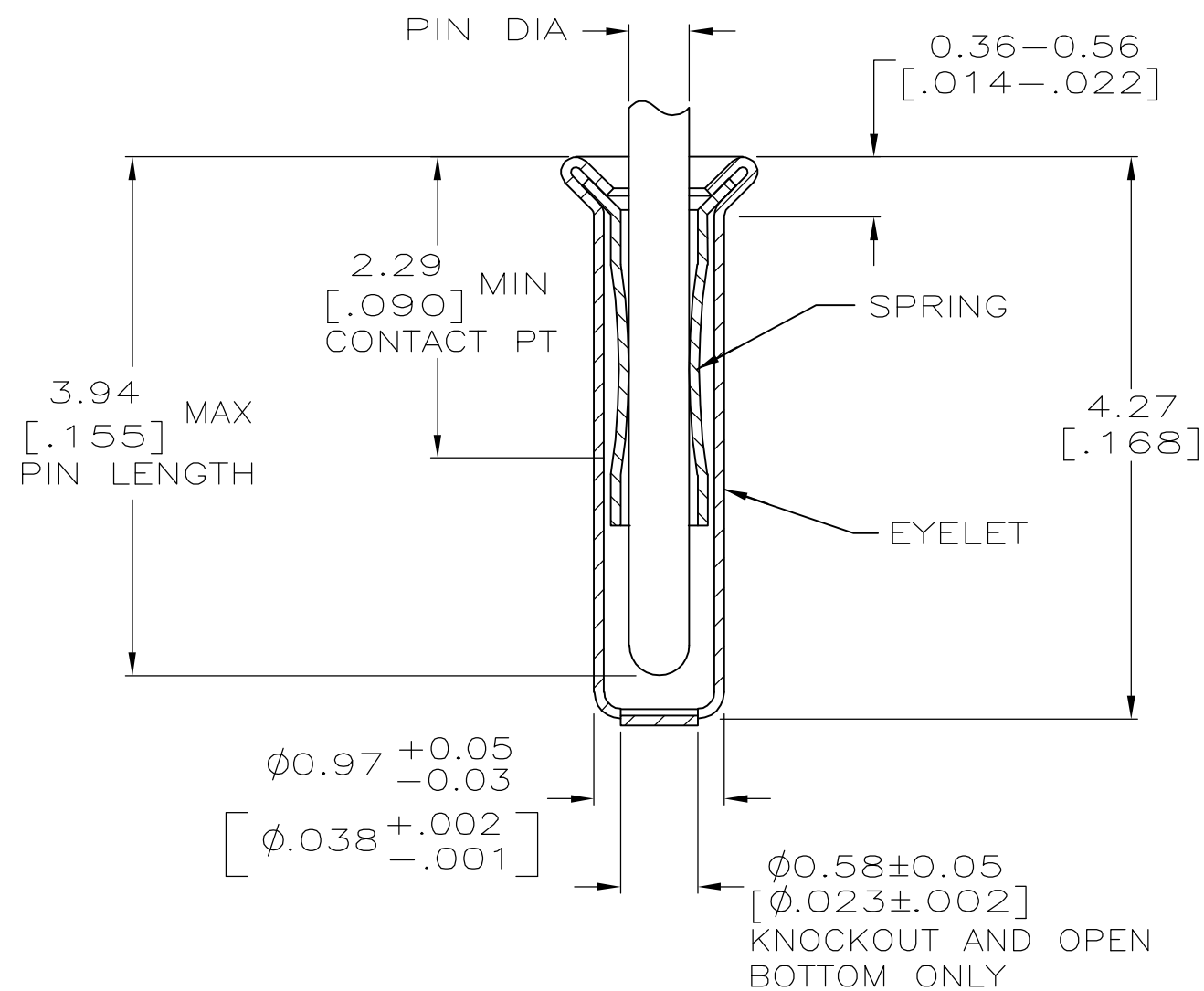
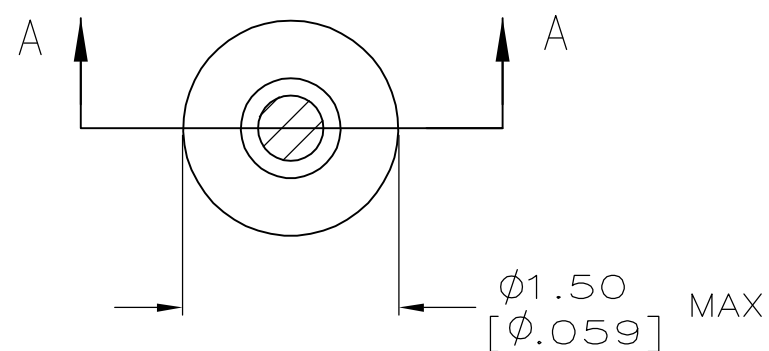


THIS DRAWING IS UNPUBLISHED. RELEASED FOR PUBLICATION  
 © COPYRIGHT BY TYCO ELECTRONICS CORPORATION. ALL RIGHTS RESERVED.

LOC	DIST	REVISIONS					
GP	00	P	LTR	DESCRIPTION	DATE	OWN	APVD
				PER EC-0511-0022-05	20APR2005	JA	JGH



SECTION A-A

- 1. TIN PLATE PER ASTM B 545 .000254 [.000100] MIN THICK.
- 2. GOLD PLATE PER ASTM B 488, 0.00076 [.000030] MIN THICK OVER NICKEL PLATE PER QQ-N-290 0.00028 [.000011] MIN THICK ON CONTACT AREA.
- 3. RECOMMENDED HOLE SIZE, PLATED OR UNPLATED:  
 MACHINE INSERTION: 1.04±0.05 [.041±.002]  
 HAND INSERTION: 1.02 <sup>+0.10</sup>/<sub>-0.00</sub> [.040 <sup>+0.004</sup>/<sub>-.000</sub>]
- 4. APPLICATION TOOL PART NUMBER:  
 MACHINE NO. 682127-2  
 INSERTION HEAD NO. 682039-1
- 5. TO INSURE PROPER SPRING TENSION DO NOT EXCEED A 0.10 [.004] DIFFERENCE IN PIN DIA WHEN CHANGING TO A SMALLER PIN.
- 6. BOTTOM PLUG KNOCKOUT TOOL PART NUMBER 69729 WITH TIP PART NUMBER 69728.

CLOSED	0.33-0.51 [.013-.020]	TIN 1	TIN 1	5050935-2
			GOLD 2	5050935-1
BOTTOM TYPE	RECOMMENDED PIN DIA 5	EYELET	SPRING	PART NO
		FINISH		
THIS DRAWING IS A CONTROLLED DOCUMENT.		DWN J. ALCORTA - 20APR2005 CHK J. HAVENER - 20APR2005 APVD J. HAVENER - 20APR2005 Tyco Electronics Corporation Harrisburg, PA 17105-3608		
DIMENSIONS: mm [INCHES]	TOLERANCES UNLESS OTHERWISE SPECIFIED:	NAME MINIATURE SPRING SOCKET ASSEMBLY SERIES 1 PRODUCT SPEC 108-14008 APPLICATION SPEC 114-13152		
	0 PLC ± - 1 PLC ± - 2 PLC ± - 3 PLC ± 0.20 [.008] 4 PLC ± - ANGLES ± -	SIZE A2	CAGE CODE 00779	DRAWING NO. 5050935
MATERIAL SPRING: BE CU	FINISH SEE TABLE	WEIGHT -	SCALE 20:1	SHEET 1 of 1 REV 0
		CUSTOMER DRAWING		