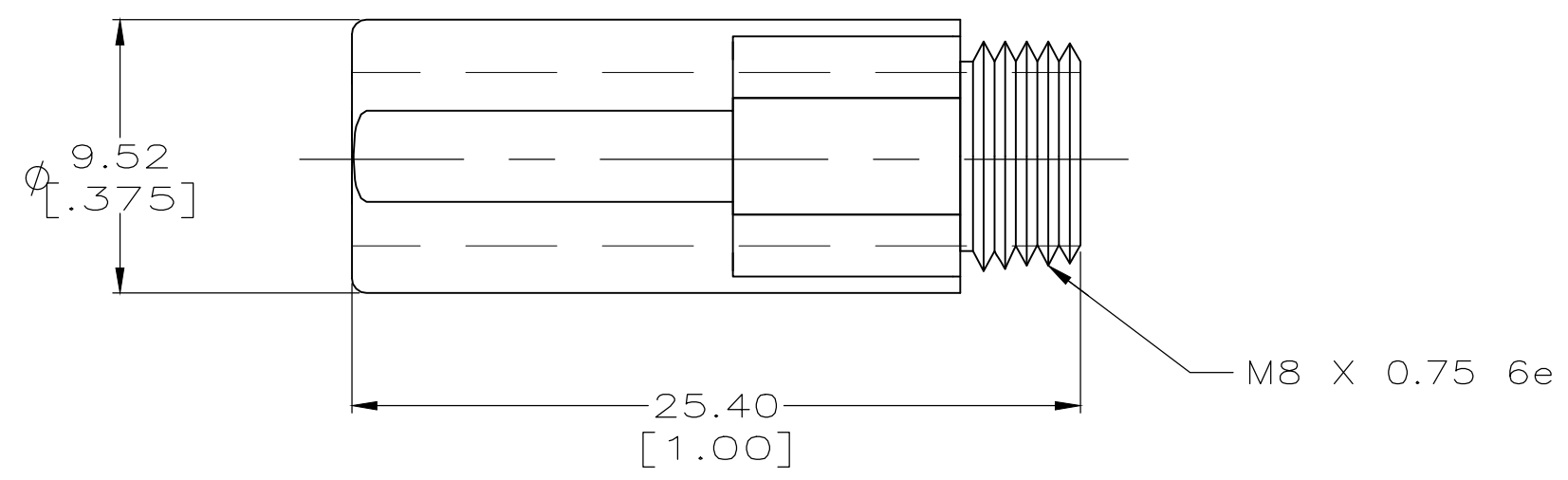
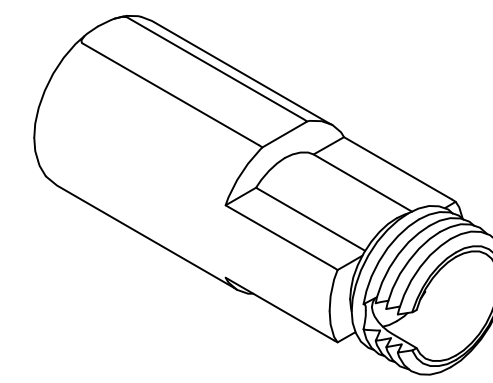


THIS DRAWING IS UNPUBLISHED. RELEASED FOR PUBLICATION
 © COPYRIGHT - By - ALL RIGHTS RESERVED.

LOC	DIST	REVISIONS			
P	LTR	DESCRIPTION	DATE	DWN	APVD
CE	00	A	ECR-15-005797	16APR2015	KZ RZ

1. TO PROTECT FIBER DURING CURING.
2. FITS OPTIMATE 2.0 AND 2.5mm THREADED CONNECTORS.
3. COLOR: BLACK.



6	502862-2
1	502862-1
QUANTITY	PART NUMBER

THIS DRAWING IS A CONTROLLED DOCUMENT.		DWN T.ALEXANDER 7-19-91	TE Connectivity		
DIMENSIONS: INCHES 		CHK B.BRIGGS 7-31-91			
TOLERANCES UNLESS OTHERWISE SPECIFIED: 0 PLC ± - 1 PLC ± - 2 PLC ± 0.25[.01] 3 PLC ± 0.12[.005] 4 PLC ± - ANGLES ± -		APVD N.MILLER 8-1-91	NAME COVER, THREADED CONNECTORS		
MATERIAL THERMOPLASTIC		FINISH -	PRODUCT SPEC K.MONROE 8-6-91	APPLICATION SPEC -	RESTRICTED TO -
		WEIGHT -	SIZE A3	CAGE CODE 00779	DRAWING NO C-502862
CUSTOMER DRAWING			SCALE 4:1	SHEET 1 OF 1	REV A