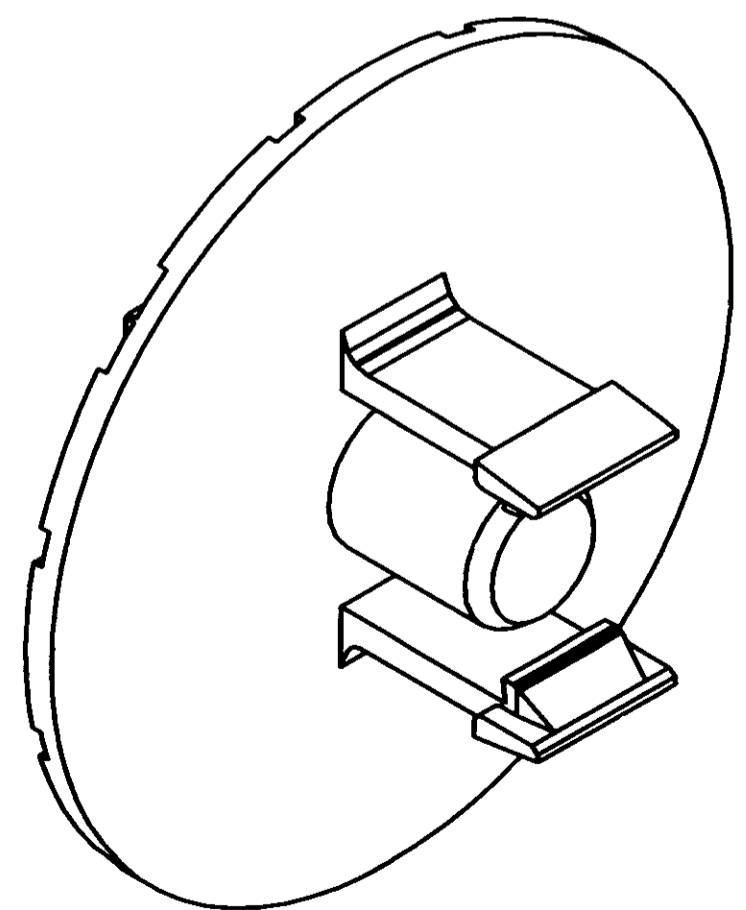
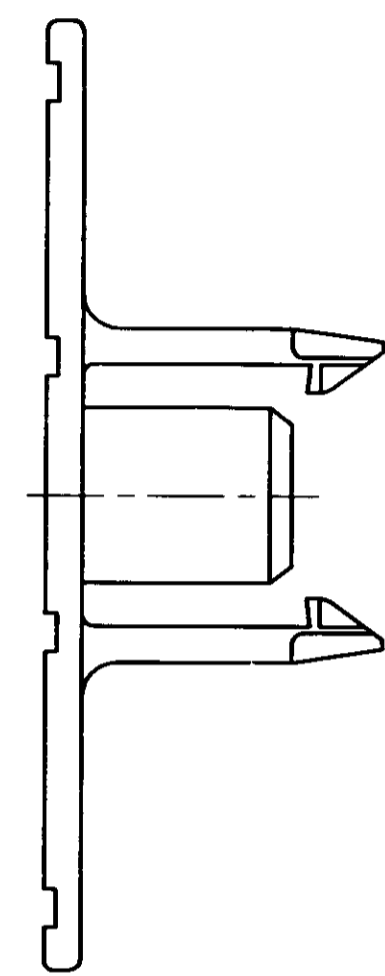
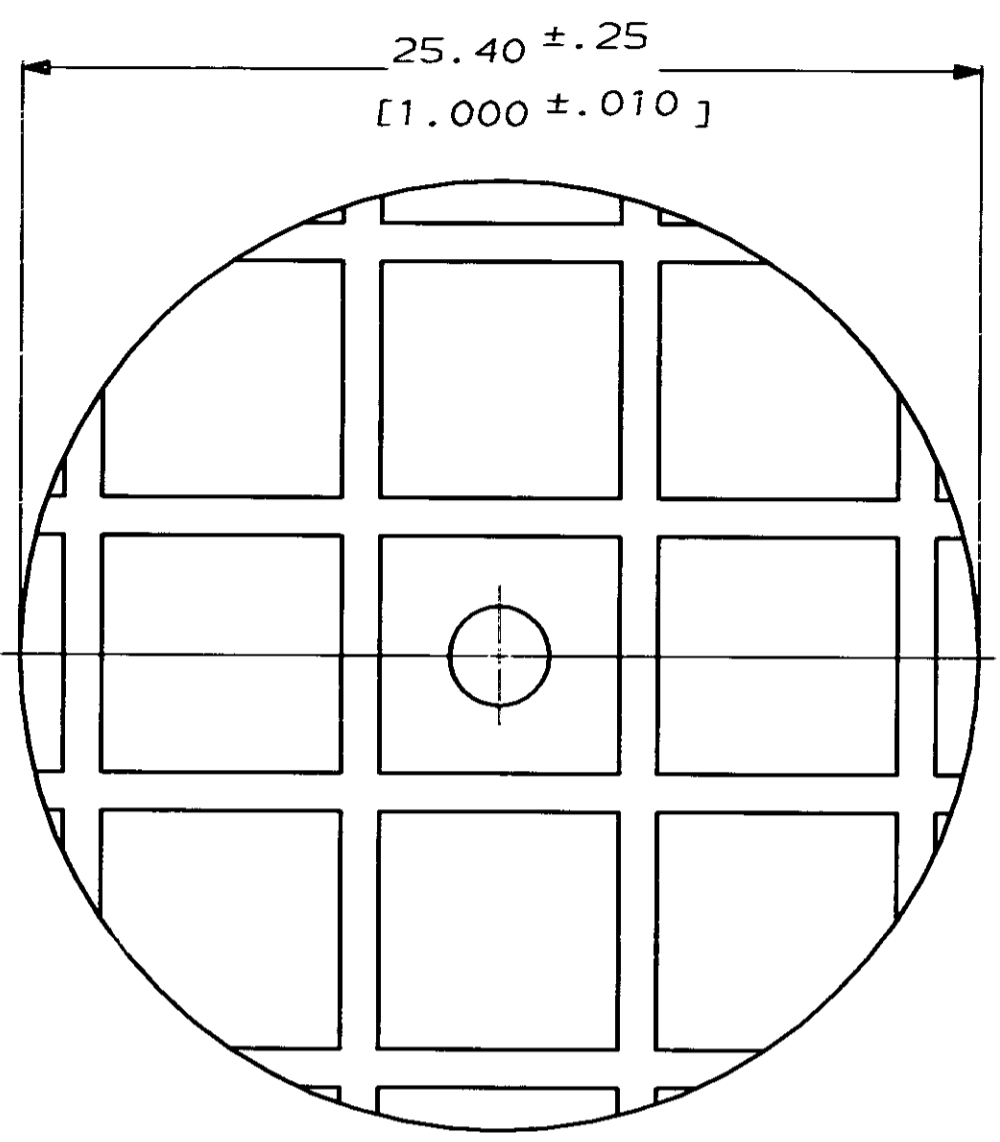


THIS DRAWING IS UNPUBLISHED. RELEASED FOR PUBLICATION
 © COPYRIGHT 19 BY AMP INCORPORATED. ALL INTERNATIONAL RIGHTS RESERVED.

LOC	DIST	REVISIONS				DATE	APPD
CE	16	P	F	ZONE	LTR	DESCRIPTION	APPD
						REL PER NPR 90-179	DCK



METRIC

1. DIMENSIONS IN [] ARE IN INCHES

DO NOT SCALE PRINT. UNLESS SPECIFIED DIMENSIONS IN INCHES TOLERANCES ON :		DR 10-12-90 D C KNOWLDEN		AMP AMP INCORPORATED Harrisburg, Pa. 17105	
2 PLC DEC ± -		CHK 10-12-90 N MILLER			
3 PLC DEC ± -		APPD 10-12-90 D MULHOLLAND		NAME	
ANGLES ± -		APPD 10-12-90 J EBERLE		POLISHING BUSHING	
MATERIAL		PRODUCT SPEC		SC-TYPE, OPTIMATE®	
THERMOPLASTIC (BLACK)		-		-	
FINISH		APPLICATION SPEC		SIZE	FSCM NO
-		-		C	00779
		WEIGHT		SCALE	DRAWING NO
		-		5:1	502631
				SHEET	1 OF 1

502631-1
PART NUMBER

PART NO

CUSTOMER DRAWING