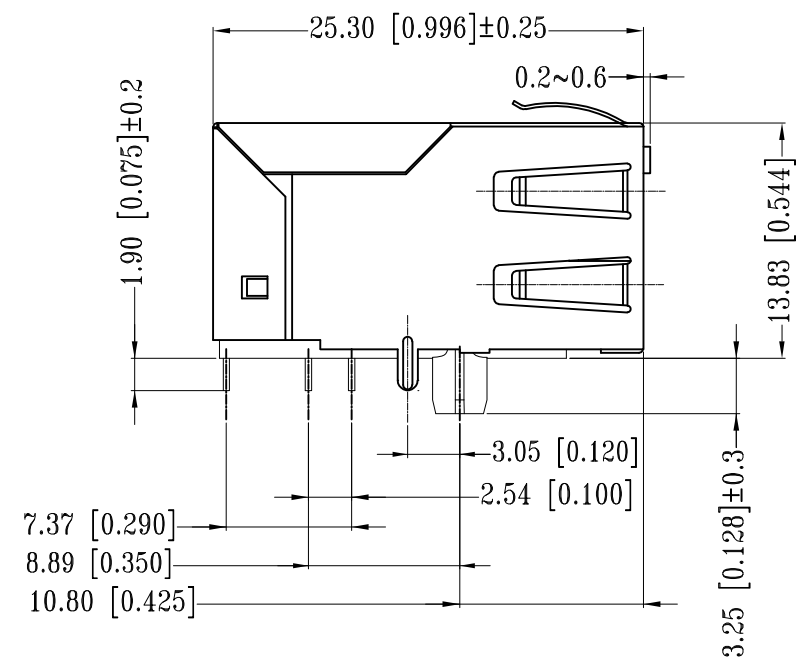
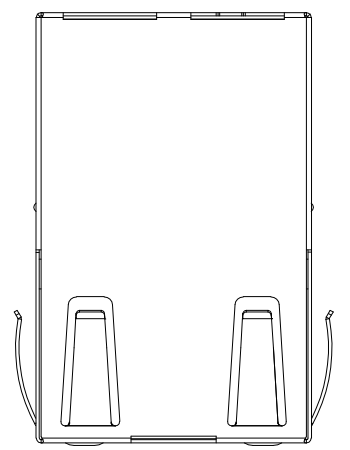
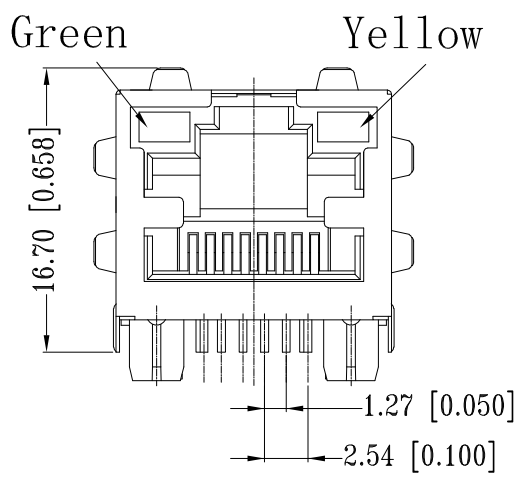
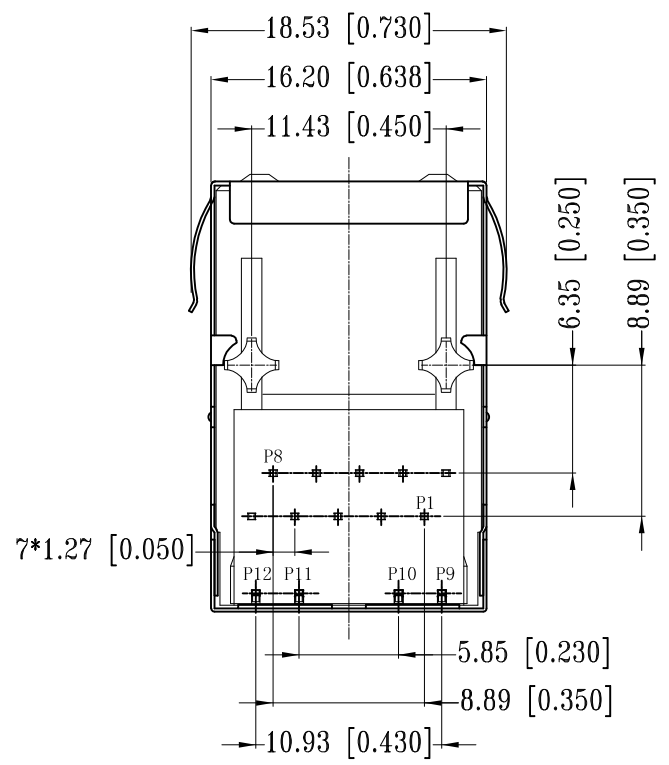
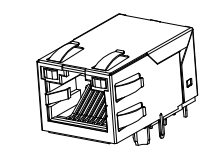


THIS DRAWING IS UNPUBLISHED. RELEASED FOR PUBLICATION - .2017.
 © COPYRIGHT 2013 By TE CONNECTIVITY ALL RIGHTS RESERVED.

REVISIONS				
P	LTR	DESCRIPTION	DATE	APVD
	A1	NEW DRAWING	23DEC2016	GCMMSZ



- 1 CONNECTOR MATERIAL:
 HOUSING: LCP BLACK UL94 V-0
 INSERT: LCP BLACK UL94 V-0
 SHIELD: BRASS
 SHIELD PLATING: NICKEL
 CONTACT: COPPER ALLOY
 CONTACT PLATING: SELECTIVE GOLD, MIN. 0.76 μm (30 μ inch) IN CONTACT AREA
 OVER MIN. 1.27 μm (50 μ inch) NICKEL
 SOLDER PIN PLATING: 3.05 μm (120 μ inch) TIN OVER 1.02 μm (40 μ inch) NICKEL OVER ALL
 SHIELDING PIN PLATING: NICKEL
- 2 PIN NOT ELECTRICALLY CONNECTED MAYBE OMITTED SEE ELECTRICAL CIRCUIT DIAGRAM FOR OMITTED PINS
- 3 RJ45 CAVITIES CONFORM TO FCC RULES AND REGULATION PART 68.
- 4 THE PART IS RECOMMENDED FOR REFLOW SOLDERING PROCESS PEAK
 SOLDERING: TEMPERATURE IS MAX. 260° C ,MAX. 10 s
- 5 OPERATING TEMPERATURE T = -40° C TO +85° C.
- 6 STORAGE TEMPERATURE T = -40° C TO +85° C.
- 7 UNLESS OTHERWISE SPECIFIED, SEE TABLE FOR ALL DIMENSIONS TOLERANCES
- 8 JACK CONFIGURATION: 1 x 1
 TAB DIRECTION: UP
- 9 PACKAGING: TRAY ACCORDING TO PACKAGING SPECIFICATION 107-18116



1:1

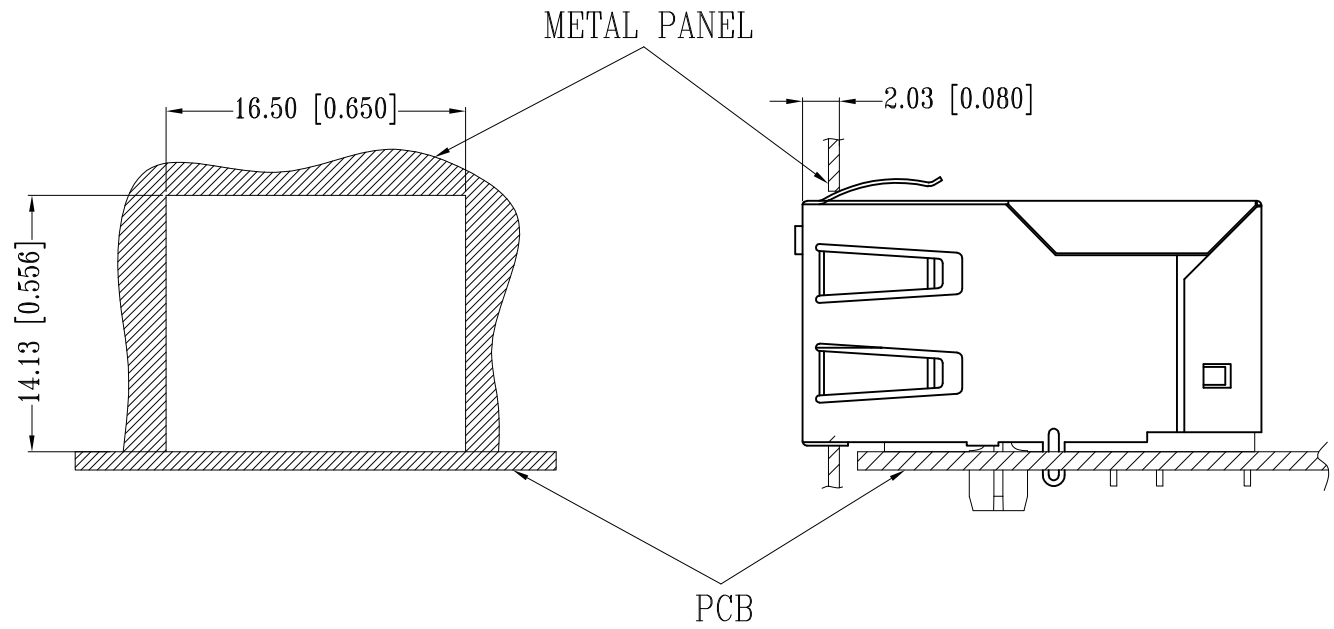
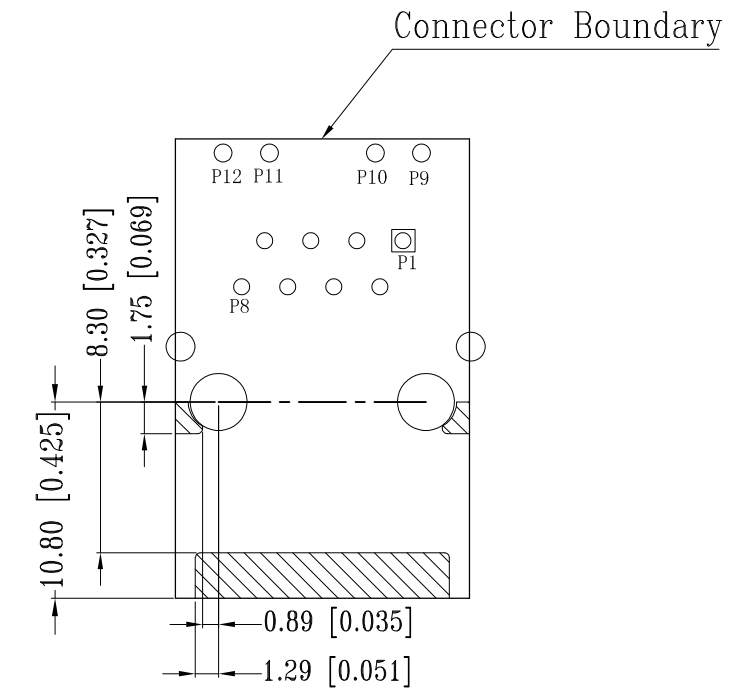
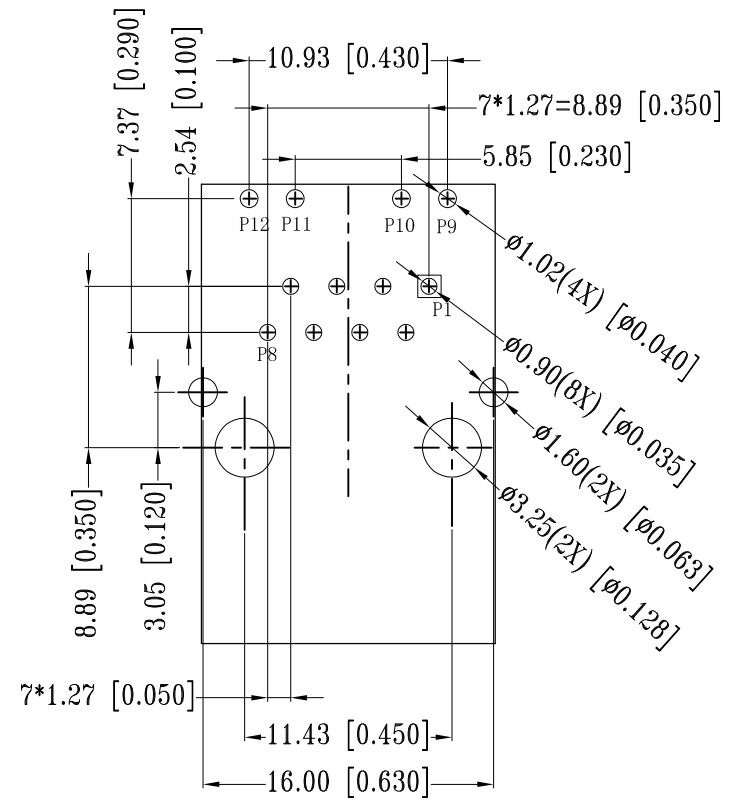
TABLE OF TOLERANCE (mm)	
RANGE	TOLERANCE
0-10	±0.15
>10-40	±0.25
>40-70	±0.30
>70	±0.40

THIS DRAWING IS A CONTROLLED DOCUMENT.		DWN 16AUG2016 GANESH C M	STE TE Connectivity															
DIMENSIONS: mm [INCHES]		CHK 16AUG2016 FRANZ MUELLER																
TOLERANCES UNLESS OTHERWISE SPECIFIED:		APVD 16AUG2016 MARTIN SZELAG	NAME RJ45 JACK INT.MAG. 10/100 LED 1x1 INV.															
<table border="0"> <tr><td>0 PLC</td><td>± -</td><td rowspan="5">7</td></tr> <tr><td>1 PLC</td><td>± -</td></tr> <tr><td>2 PLC</td><td>± -</td></tr> <tr><td>3 PLC</td><td>± -</td></tr> <tr><td>4 PLC</td><td>± -</td></tr> <tr><td>ANGLES</td><td>± -</td><td></td></tr> </table>		0 PLC	± -	7	1 PLC	± -	2 PLC	± -	3 PLC	± -	4 PLC	± -	ANGLES	± -		PRODUCT SPEC 108-94552	-	
0 PLC	± -	7																
1 PLC	± -																	
2 PLC	± -																	
3 PLC	± -																	
4 PLC	± -																	
ANGLES	± -																	
MATERIAL		APPLICATION SPEC 114-94447	SIZE	CAGE CODE	DRAWING NO	RESTRICTED TO												
FINISH		WEIGHT	A3	00779	C-5-2301994-2	-												
CUSTOMER DRAWING			SCALE	SHEET	REV													
			3:1	1 OF 3	A1													

THIS DRAWING IS UNPUBLISHED. RELEASED FOR PUBLICATION - ,2017.
 © COPYRIGHT 2013 By TE CONNECTIVITY ALL RIGHTS RESERVED.

REVISIONS				
P	LTR	DESCRIPTION	DATE	APVD
-	-	SEE SHEET 1	-	-

SUGGESTED PCB LAYOUT



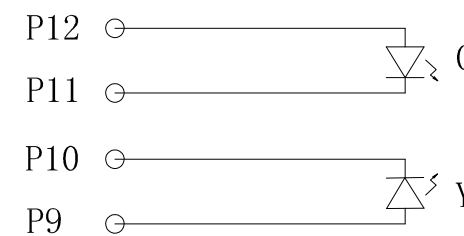
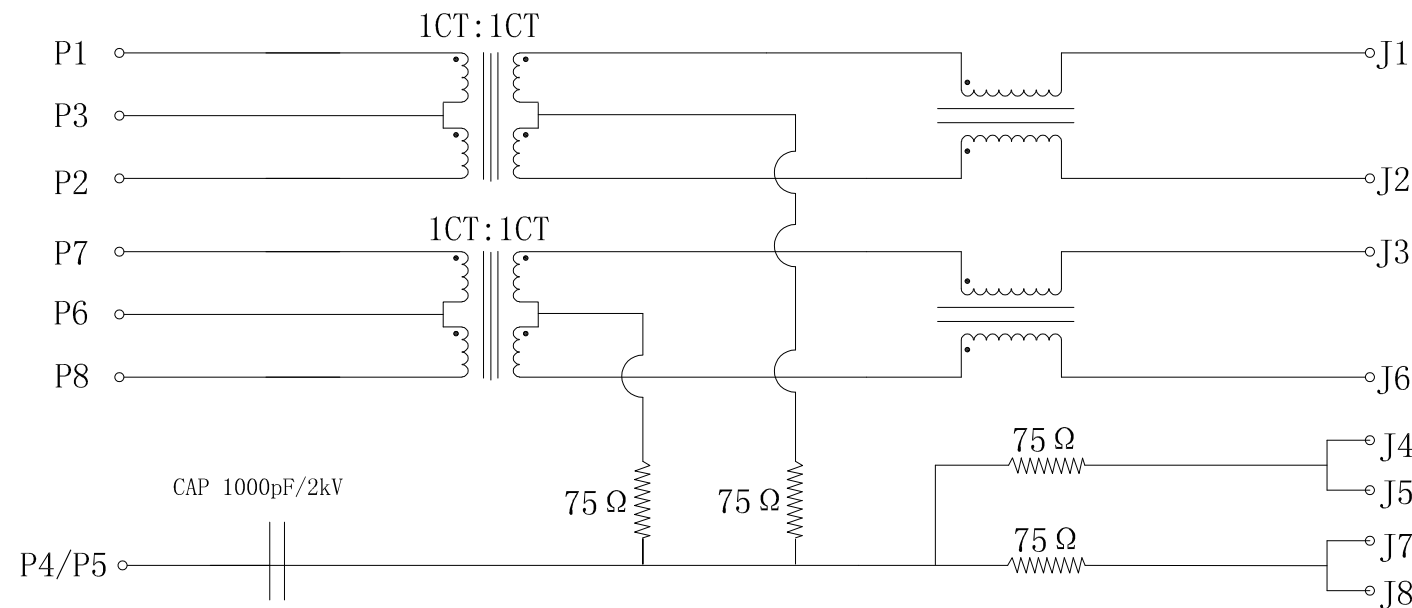
UNIT: mm / inch
 TOLERANCES: ±0.10 / 0.004

THIS DRAWING IS A CONTROLLED DOCUMENT.		DWN GANESH C M 16AUG2016	TE Connectivity	
DIMENSIONS: mm [INCHES]		CHK FRANZ MUELLER 16AUG2016		
TOLERANCES UNLESS OTHERWISE SPECIFIED:		APVD MARTIN SZELAG 16AUG2016	NAME RJ45 JACK INT.MAG. 10/100 LED 1x1 INV.	
0 PLC ± - 1 PLC ± - 2 PLC ± - 3 PLC ± - 4 PLC ± - ANGLES ± -		PRODUCT SPEC 108-94552	-	
MATERIAL 1		APPLICATION SPEC 114-94447	SIZE A3	CAGE CODE 00779
FINISH 1		WEIGHT	DRAWING NO C-5-2301994-2	RESTRICTED TO -
CUSTOMER DRAWING			SCALE 3:1	SHEET 2 OF 3
			REV A1	

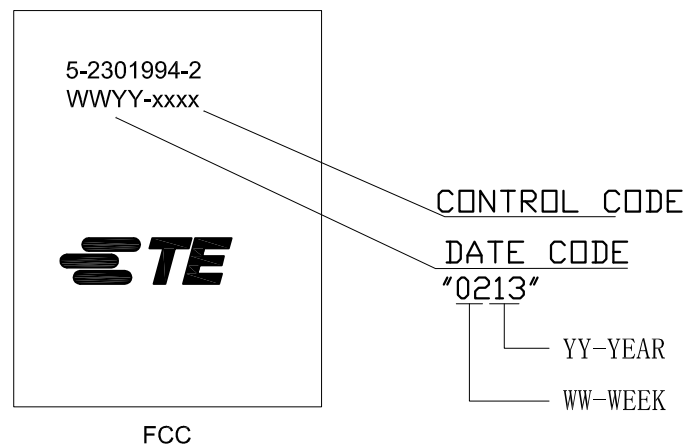
REVISIONS

P	LTR	DESCRIPTION	DATE	DWN	APVD
-	-	SEE SHEET 1	-	-	-

ELECTRICAL CIRCUIT DIAGRAM



Pin	Yellow	Green
P9	+	P11 -
P10	-	P12 +



- 1.0 Turn Ratio @100KHz: (P1~P2):(J1~J2) = 1:1±2%
(P7~P8):(J3~J6) = 1:1±2%
- 2.0 Primary Inductance: 350µH MIN. @100kHz, 0.1V 8mA DC BIAS
- 3.0 DC Resistance: 1.2 OHMS MAX.
- 4.0 Insertion Loss: 1-100MHz -1.2dB MAX.
- 5.0 Return Loss: 1-30MHz -16dB MIN.
30-60MHz -12dB MIN.
60-80MHz -10dB MIN.
- 6.0 CROSS TALK: 1-100MHz -30dB MIN.
- 7.0 COMMON TO COMMON MODE ATTENUATION: 1-100MHz -30dB MIN.
- 8.0 Isolation: PHY Side to Line Side: 1500VAC or 2250VDC

THIS DRAWING IS A CONTROLLED DOCUMENT.		DWN 16AUG2016 GANESH C M	STE TE Connectivity	
DIMENSIONS: mm [INCHES]		CHK 16AUG2016 FRANZ MUELLER		
TOLERANCES UNLESS OTHERWISE SPECIFIED:		APVD 16AUG2016 MARTIN SZELAG	NAME RJ45 JACK INT.MAG. 10/100 LED 1x1 INV.	
0 PLC ± - 1 PLC ± - 2 PLC ± - 3 PLC ± - 4 PLC ± - ANGLES ± -		PRODUCT SPEC 108-94552	-	
MATERIAL 1		FINISH 1	APPLICATION SPEC 114-94447	RESTRICTED TO -
		WEIGHT	SIZE A3	CAGE CODE 00779
		CUSTOMER DRAWING	DRAWING NO C-5-2301994-2	SCALE 3:1
			SHEET 3 OF 3	REV A1