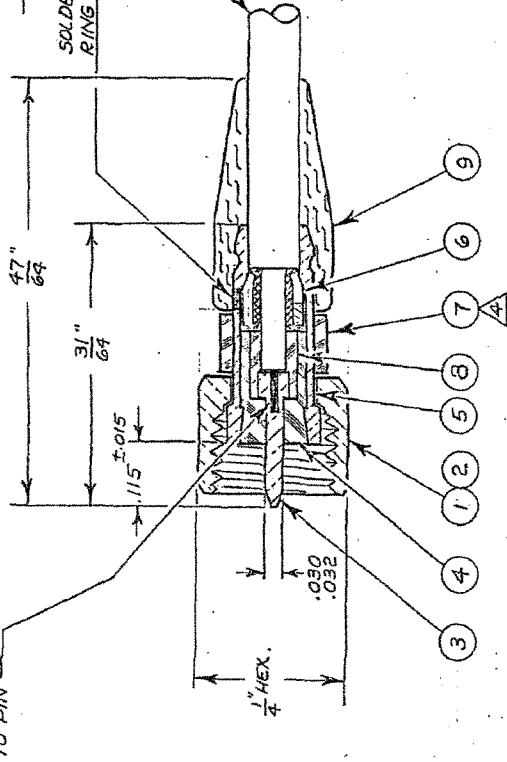


CABLE ACCEPTANCE DIMS.

JACKET DIA. .088 MAX.  
 DIELECTRIC DIA. .038 MAX.  
 CENTER COND. DIA. .015 MAX.

CONDUCTOR SOLDERED  
 TO PIN

SOLDER SHIELD AND  
 RING TO FERRULE



- NOTES: (UNLESS OTHERWISE SPECIFIED)
- THIS CONNECTOR MATES WITH ALL S-50 JACKS AND RECEPTACLES AS LISTED IN MALCO CATALOG.
  - FOR ASSEMBLY INSTRUCTIONS SEE RF-ASMB-89
  - MALCO ASSEMBLY TOOL #T-3221 OR 010-0003-0000.
  - OPTIONAL, DEPENDING ON CUSTOMER REQUIREMENTS.
  - SILVER PLATE .0002-.0004 PER QQ-B-5-365.
  - GOLD PLATE .00005 MIN. PER MIL-G-45204, TYPE II, CL. I.
  - 10-32 UNF-2B THD

ZONE	LTR	DESCRIPTION	DATE	APPROVED
	G	REDRAWN & UPDATED: ITEMS 4, 7, 8, 9 SPEC. WAS TEFLOON - MIL-M-14077: ITEMS 1, 2, 3, 5, 6 DELETED * F.M. FORM SPEC. NOTES 1 & 3, MALCO WAS MICRODOT: NOTE 3, 010-0003-0000 WAS 010-0003: (ECO 19702)	5/19/75	[Signature]
	H	ITEM 6, WAS 003-0031-0000	3/2/97	[Signature]
	J	NOTE 2: RF-ASMB-89 WAS BULLETTIN #48	4/9/05	[Signature]

FINISH	QTY.	ASTERISK No. *	PT. NO.	DESCRIPTION	MAT'L & SPEC.	ITEM NO.
3	2	1	1	BEND RELIEF CAP	SILICONE RUBBER ZZ-E-705	9
1	1	1	1	BUSHING	TEFLOON L-P-403	8
1	1	1	1	FERRULE PIN PROTECTOR	TEFLOON L-P-403	7
5	1	1	1	RING	BRASS QQ-B-626	6
5	1	1	1	FERRULE	BRASS QQ-B-626	5
1	1	1	1	BUSHING	TEFLOON L-P-403	4
5	1	1	1	PIN	BRASS QQ-B-626	3
5	1	1	1	1" HEX NUT - WITH SAFETY WIRE HOLES	BRASS QQ-B-626	2
5	1	1	1	1" HEX NUT	BRASS QQ-B-626	1

PARTS LIST

CONTRACT NO.		MALCO A MICRODOT COMPANY, INC. 220 PASADENA AVE., SO. PASADENA, CALIF. 9103	
APPROVALS	DATE	SIZE	CODE IDENT NO.
DRAWN BY: [Signature]	1/19/58	B	98278
CHECKED		DRAWING NO.	052-0235-000*
PR. ENG. [Signature]		SCALE	1 OF 1
APPROVED [Signature]		DRAWING NO. 052-0235-000*	
MATERIAL		PLUG	
FINISH		DRAWING NO. 052-0235-000*	
DO NOT SCALE DRAWING		DRAWING NO. 052-0235-000*	
APPLICATION		DRAWING NO. 052-0235-000*	
USED ON		DRAWING NO. 052-0235-000*	
NEXT ASSY		DRAWING NO. 052-0235-000*	

TYCO CUSTOMER DRAWING  
 5-1532146-1