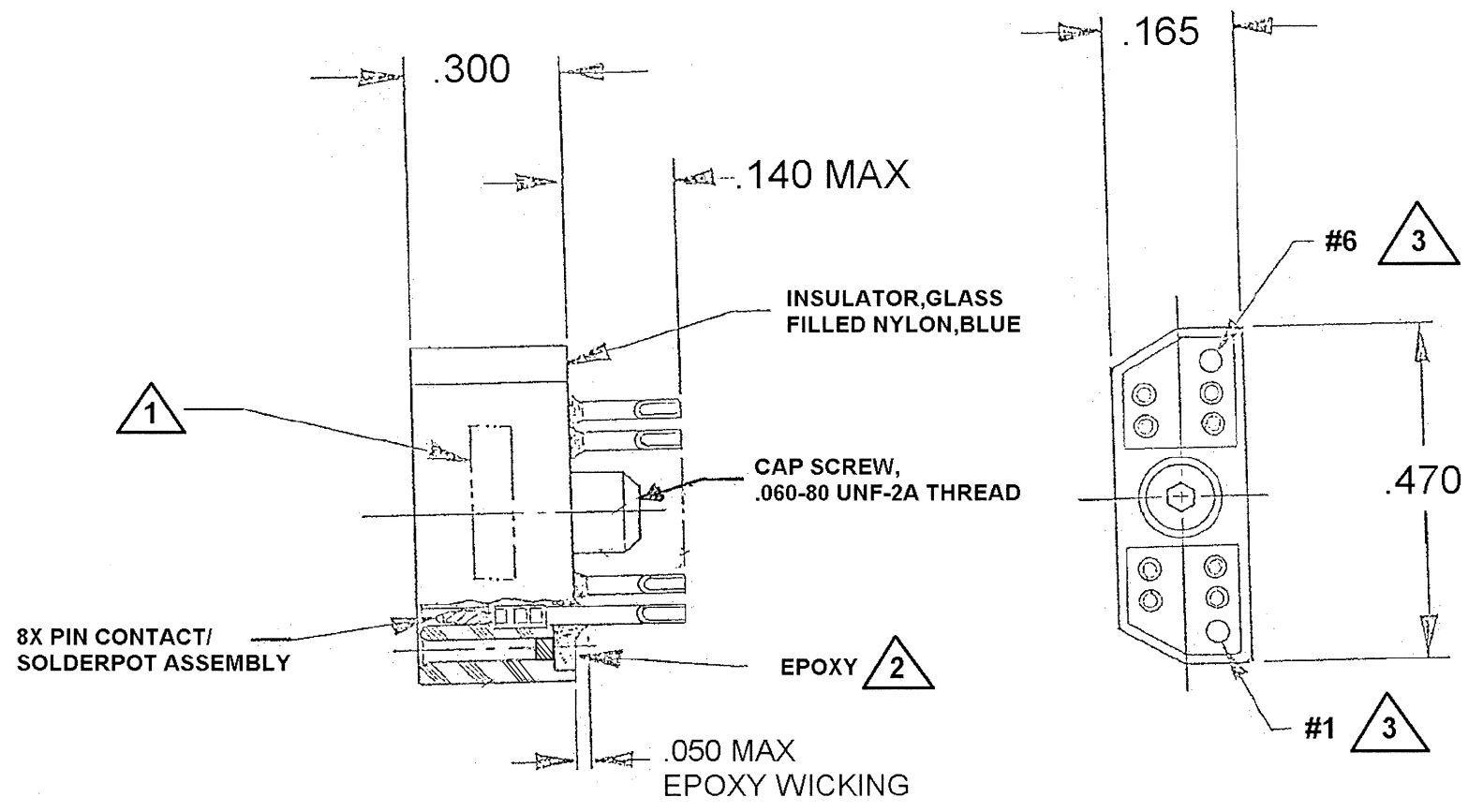


REVISIONS					
ZONE	LTR	E.C.O	DESCRIPTION	DATE	APPROVED
	D	39060	NEW RELEASE TO "D"		
	D1		COMBINE M & CD		
	E	43505	UPDATE REV LETTER	7/6/7	TONY L
	F	43552	UPDATE REV LETTER	9/20/7	TONY L
	G	43761	UPDATE REV LETTER	9/17/8	TL
	G1	43911	ADD NOTE 4, .140 MAX WAS .135 MAX	05/22/09	TL
	H	44017	UPDATE GUIDE PIN CAVS TO AS MOLDED	2/24/10	TL



- NOTES: UNLESS OTHERWISE SPECIFIED
- 1. MARKING AREA AS SHOWN.
 - 2. EPOXY, HYSOL 4215 AND 3561 EQUIVALENT.
 - 3. GUIDE PIN ACCOMMODATION CAVITY.
 - 4. THIS SHEET IS FOR CUSTOMER USE ONLY, MANUFACTURE PER SHEET 1.

QTY.	PT. NO.	DESCRIPTION	ITEM NO.
PARTS LIST			
UNLESS OTHERWISE SPECIFIED DIMENSIONS ARE IN INCHES TOLERANCES ARE: FRACTIONS DECIMALS ANGLES $\pm 1/64$.XX $\pm .01$ $\pm 2^\circ$.XXX $\pm .010$		CONTRACT NO.	
MATERIAL		APPROVALS	DATE
FINISH		DRAWN	A. HICKS 9-8-76
NEXT ASSY		CHECKED	CHARLES E. HARTZEL 9-9-76
USED ON		PR. ENG	P. Blute 9/10/76
APPLICATION		APPROVED	
DO NOT SCALE DRAWING		MALCO A MICRODOT COMPANY, INC. 306 PASADENA AVE., SO. PASADENA, CALIF. 91030	
		SIZE	CODE IDENT NO.
		B	98278
		DRAWING NO. 5-1532019-0	
		SCALE	SHEET
		NONE	2 OF 2