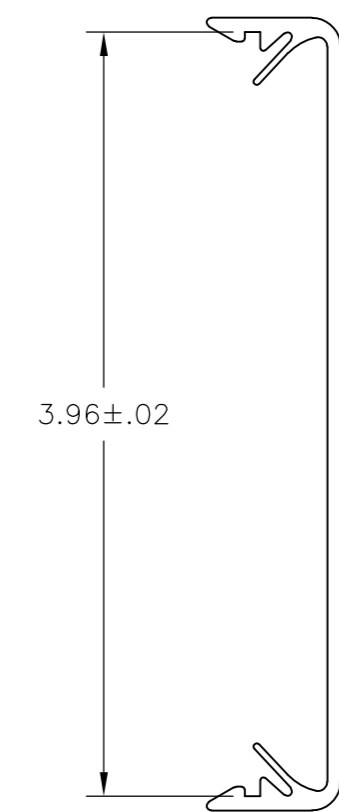
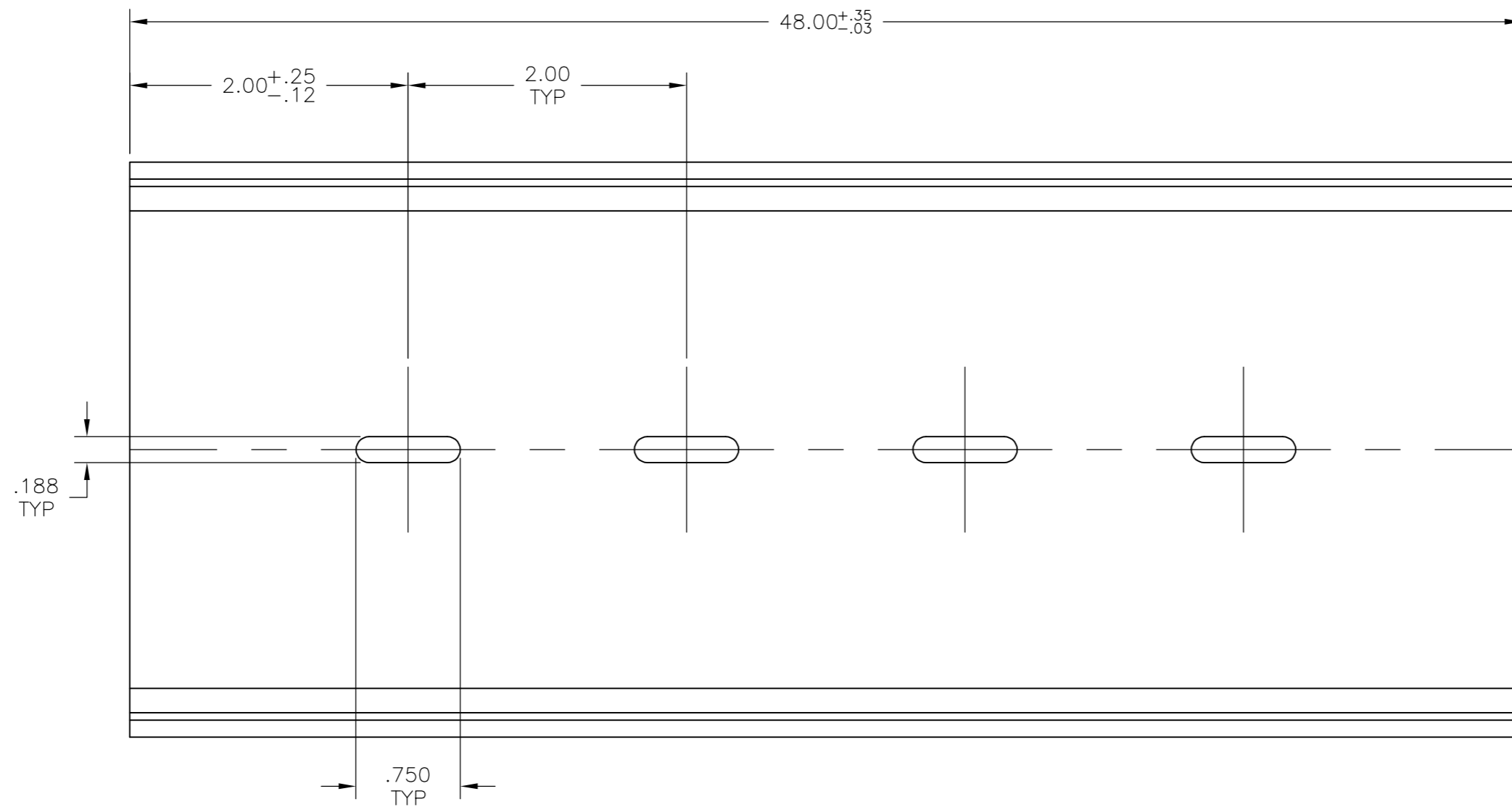


THIS DRAWING IS UNPUBLISHED. RELEASED FOR PUBLICATION
 © COPYRIGHT BY TYCO ELECTRONICS CORPORATION. ALL INTERNATIONAL RIGHTS RESERVED.

LOC	DIST	REVISIONS			
P	LTR	DESCRIPTION	DATE	DWN	APVD
-	-	A	5/6/09	SS	CR

1. ALL DIMENSIONS ARE ±.015 UNLESS OTHERWISE NOTED.
2. MATERIAL: RIGID, PVC, COLOR: GRAY.
3. RECOMMENDED PC BOARD WIDTH 4.00"



6TK2-48	5-1437685-0
CATALOG NUMBER	PART NUMBER

THIS DRAWING IS A CONTROLLED DOCUMENT.		DWN	S SCHLEGEL	1/12/05	Tyco Electronics Corporation Harrisburg, PA 17105-3608				
DIMENSIONS: INCHES		CHK	C RICHARD	5/6/09					
TOLERANCES UNLESS OTHERWISE SPECIFIED:		APVD	C RICHARD	5/6/09					
0 PLC ± - 1 PLC ± - 2 PLC ± .02 3 PLC ± .005 4 PLC ± - ANGLES ± 1°		PRODUCT SPEC	NAME			6TK2-48 SNAPTRACK			
MATERIAL		APPLICATION SPEC		SIZE		CAGE CODE	DRAWING NO	RESTRICTED TO	
FINISH		WEIGHT		A2		00779	C=5-1437685-0	-	
CUSTOMER DRAWING				SCALE	NTS	SHEET	1 of 1	REV	A