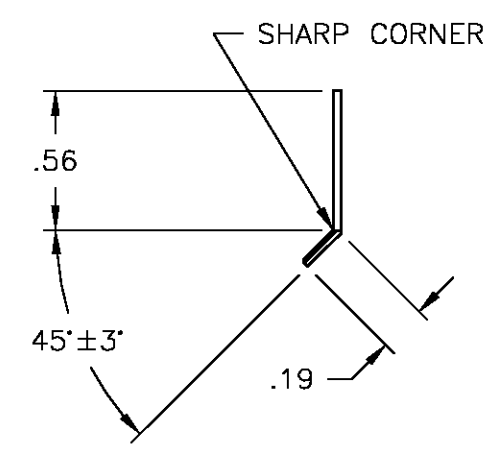
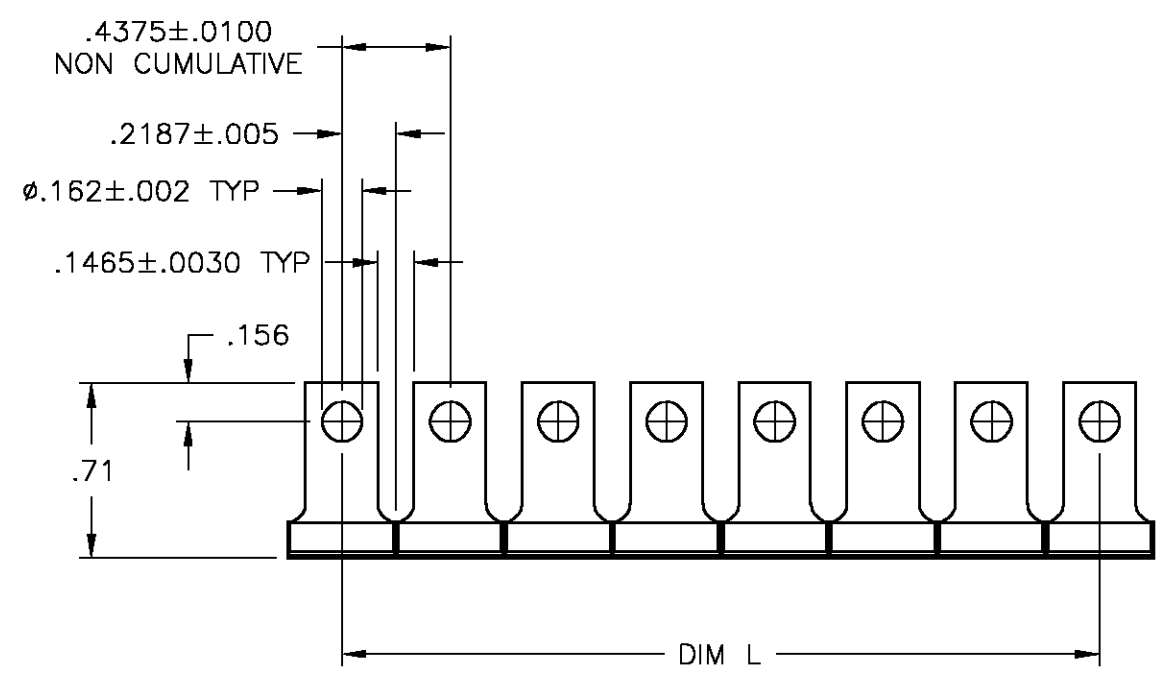


THIS DRAWING IS UNPUBLISHED. RELEASED FOR PUBLICATION
 © COPYRIGHT BY TYCO ELECTRONICS CORPORATION. ALL RIGHTS RESERVED.

LOC	DIST	REVISIONS			
P	LTR	DESCRIPTION	DATE	DWN	APVD
FT	0	A	REVISED PER 0G3B-0717-01	12/4/03	SS SRY

NOTES:

△ MATERIAL: TIN PLATED COPPER ALLOY .032 THK.



17.062	J73-40	5-1437418-9
DIM L	CATALOG NUMBER	PART NUMBER

THIS DRAWING IS A CONTROLLED DOCUMENT.		DWN S SCHLEGEL 12/3/03	BUCHANAN Tyco Electronics Corporation City, State, Zip	
DIMENSIONS: INCHES		CHK S YODER 12/3/03		
TOLERANCES UNLESS OTHERWISE SPECIFIED:		APVD S YODER 12/3/03	NAME .4375 AROUND BARRIER RING TONGUE TYPE BREAK-APART 40 POSITION JUMPER	
0 PLC ± - 1 PLC ± - 2 PLC ± .01 3 PLC ± .005 4 PLC ± - ANGLES ± 1'		PRODUCT SPEC -	SIZE CAGE CODE DRAWING NO RESTRICTED TO	
MATERIAL - △		APPLICATION SPEC -	A3 00779 C-5-1437418-9	
FINISH -		WEIGHT -	CUSTOMER DRAWING SCALE NTS SHEET 1 OF 1 REV A	