

APPROVED BY: C. Weidner DATE: 4-30-72 REV: 5

SAFETY ORGANIZATION(S),
THIS FILTER HAS BEEN FORMALLY RECOGNIZED, CERTIFIED OR APPROVED BY THE LISTED AGENCY. THEREFORE, ALL TEST/REQUIREMENTS SPECIFIED IN THE LATEST REVISION OF THE FOLLOWING AGENCY STANDARDS HAVE BEEN MET.

UL 1283
CSA 22.2, NO. 0, 4, 8
VDE 565-3, 625
SEMKO APPROVED
SEN 432901
SEV 10557/TP1977/S.1.1

OPERATING SPECIFICATIONS:
LINE VOLTAGE/CURRENT,
4 AMP., 120/250 VAC
4 AMP./40°C, 250 VAC

LINE FREQUENCY,
50-60HZ
MAX. LEAKAGE CURRENT, EACH
LINE TO GROUND
.25mA @ 120V 60HZ
.40mA @ 250V 50HZ

OPERATING AMBIENT TEMP. RANGE,
-10°C TO +40°C @ RATED CURRENT, I_r
IN AN AMBIENT, T_a, HIGHER THAN 40°C, THE MAXIMUM OPERATING
CURRENT, I_o, IS AS FOLLOWS:

$$I_o = I_r \sqrt{\frac{85 - T_a}{45}}$$

RELIABILITY SPECIFICATIONS:
STORAGE TEMPERATURE,
-25°C TO +85°C
HUMIDITY,
21 DAYS @ 40°C 95% RH
CURRENT OVERLOAD TEST,
6 TIMES RATED CURRENT FOR 8 SECONDS

TEST SPECIFICATIONS:
INDUCTANCE,
.35mH NOMINAL
CAPACITANCE, (MEASURED @ 1 KHz, 0.25 VAC MAX., 25°C ±1°C)
LINE TO GROUND,
.0028µF ±20%
LINE TO LINE,
.047µF ±20%

DISCHARGE RESISTOR,
1.5 MΩ
LINE/GROUND AND LINE/LINE
INSULATION RESISTANCE
6000 MΩ (MIN) AT 100 VDC
20°C AND 50% RH
(V/O DISCHARGE RESISTOR)

RECOMMENDED RECEIVING INSPECTION HIPOUT,
LINES TO GROUND,
2250 VDC FOR 1 MINUTE
LINE TO LINE,
1450 VDC FOR 1 MINUTE

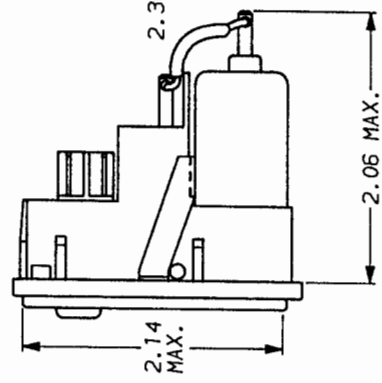
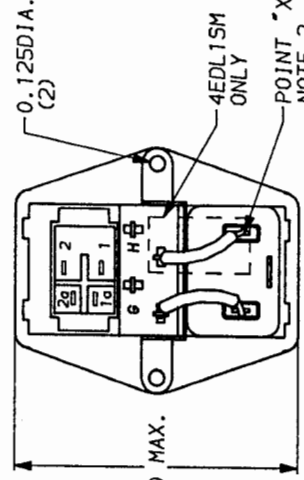
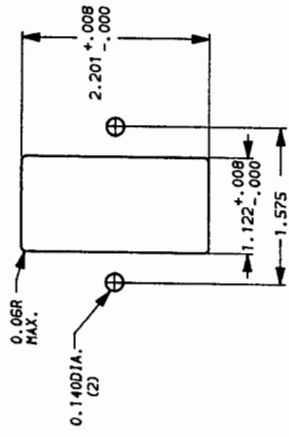
FILTER APPROVAL:
THE BEST WAY TO SELECT AND QUALIFY A FILTER IS FOR YOUR ENGINEERING
TO TEST THE UNIT IN YOUR EQUIPMENT.



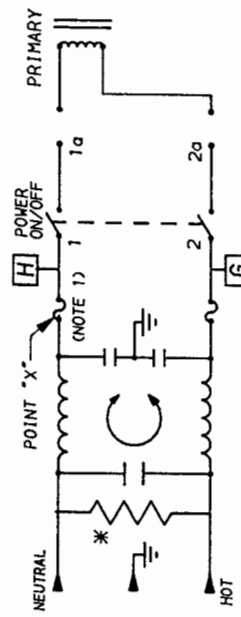
POWER LINE FILTER

SCALE	DATE	DRG. NO.	REV.
NTS	3-4-87	4EDL15 & 4EDL1SM	5
DRW. BY	ORIGINATOR	CFW	
LJD			

RECOMMENDED PANEL CUTOOUT
(NOT TO SCALED)



ALTERNATE SWITCH



- NOTE,
1.) PROVISION FOR DUAL EUROPEAN STYLE FUSING.
2.) 4EDL15 JUMPER FROM POINT X TO 1 AND FROM G TO 2. 2EDL1SM JUMPER FROM H TO 1 AND FROM G TO 2.

50Ω - 50Ω (MINIMUM) INSERTION LOSS									
FREQUENCY MHz	.05	.15	.50	1.0	3.0	5.0	10	30	45
COMMON dB	2	8	14	18	27	32	38	45	47
DIFF. dB	—	6	15	18	23	26	32	45	47

This document is proprietary to CORCOM INC. and is not to be reproduced nor used for manufacturing purposes except on CORCOM's order or prior written consent.

*RESISTOR ADDED TO PRODUCT BUILT AFTER 3-30-92 (9212).