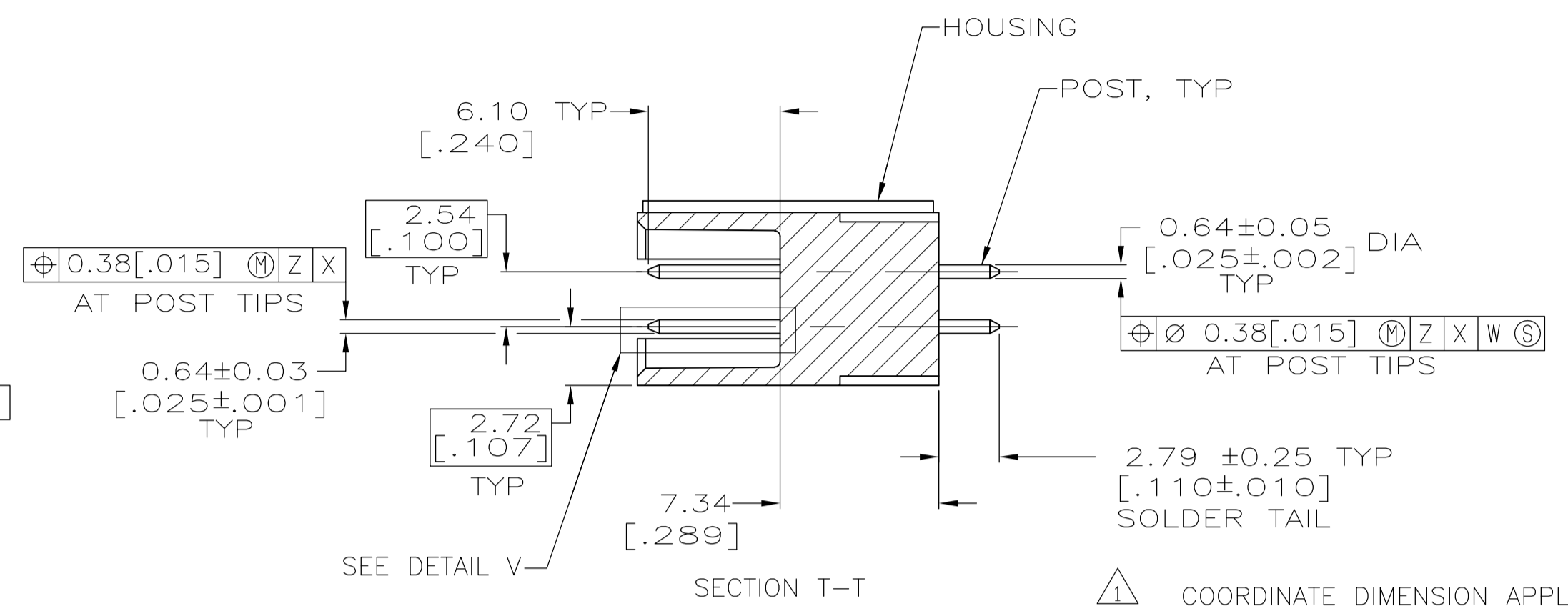
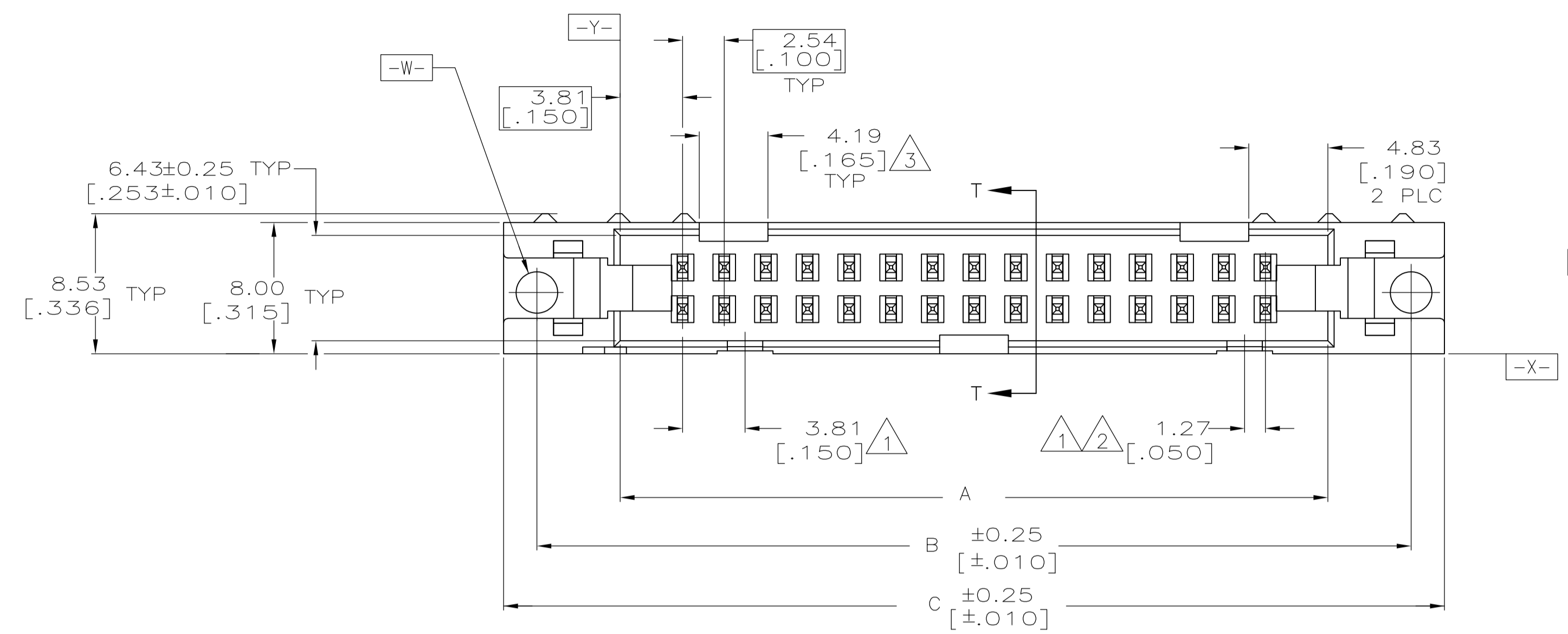
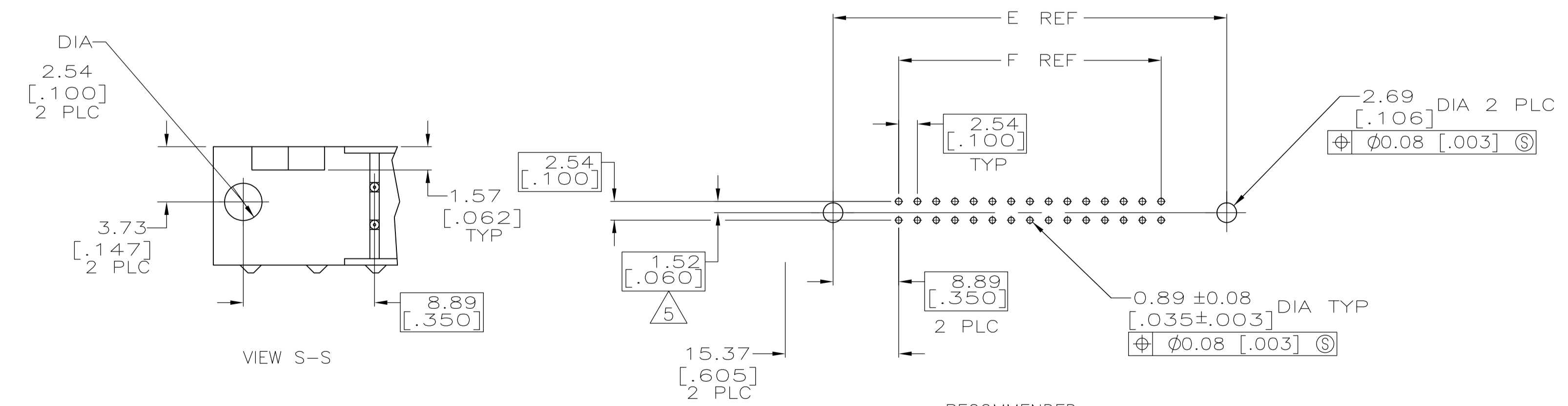
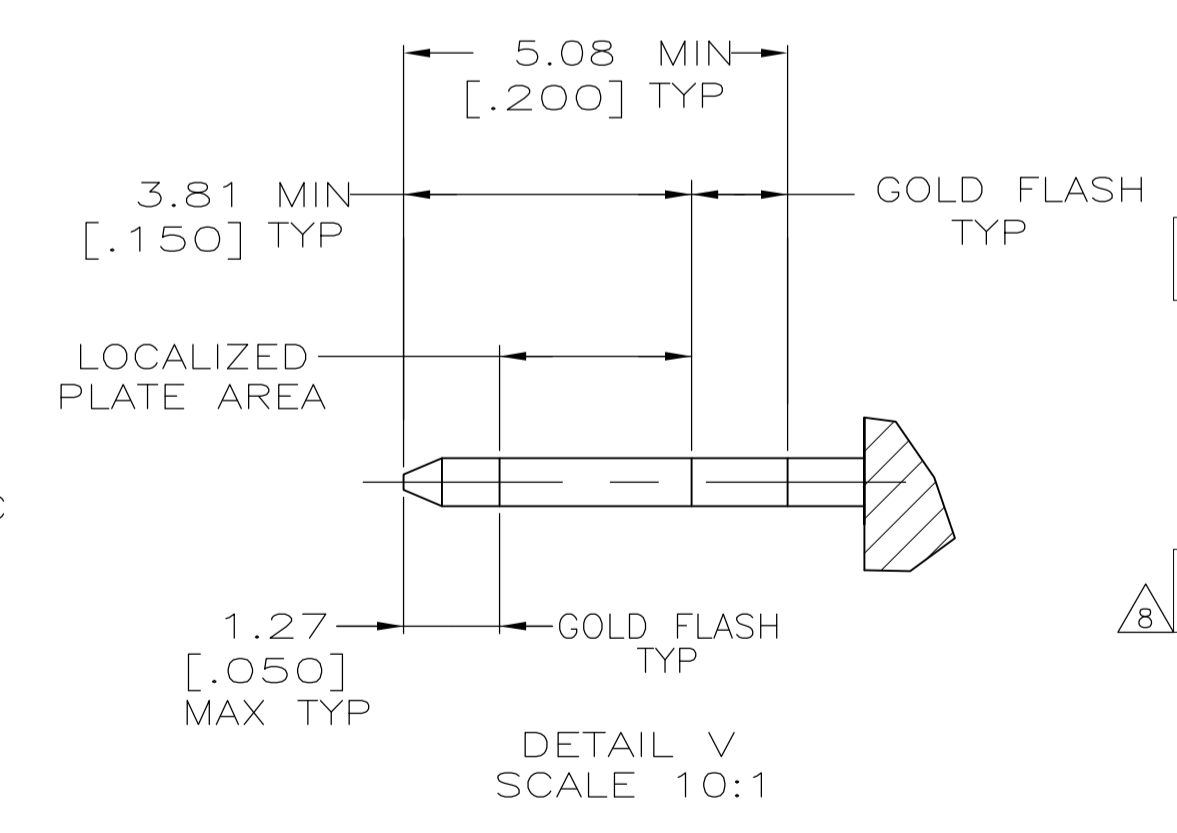
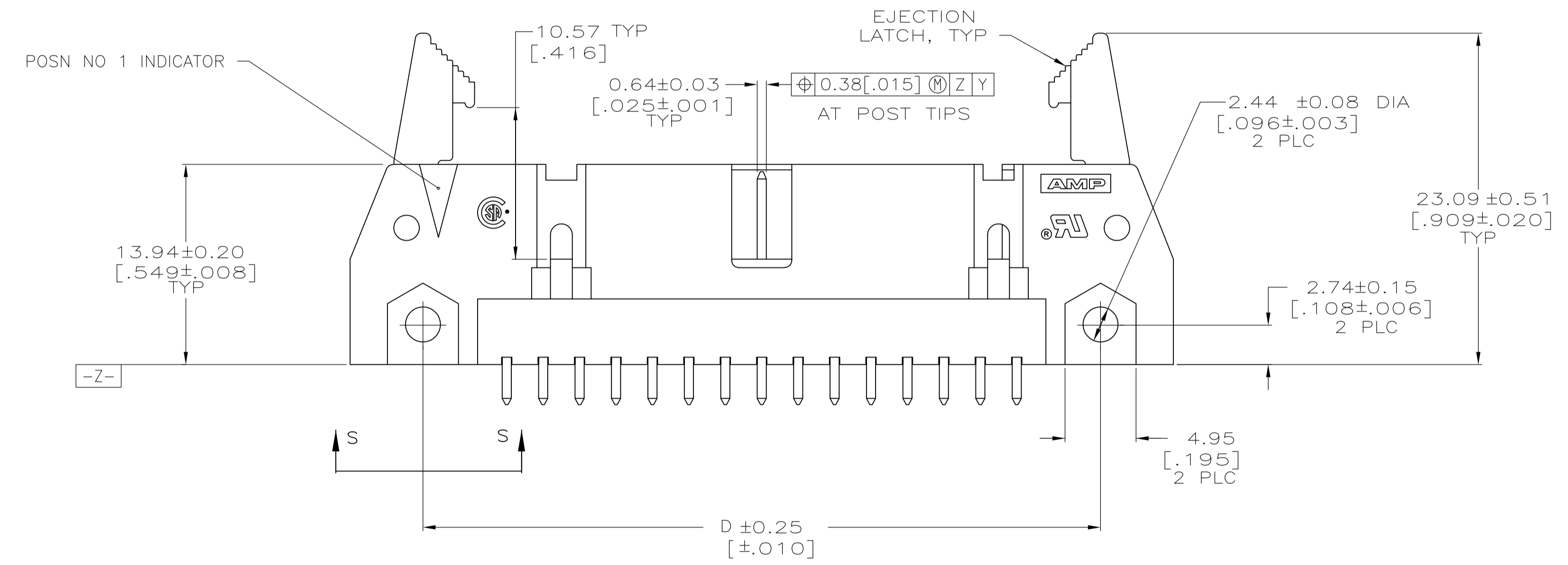


EJECTION LATCHES OMITTED IN THIS VIEW FOR CLARITY



- △ COORDINATE DIMENSION APPLIES FROM BASIC LOCATION.
- △ 10 AND 14 POSITION SIZES CONTAIN ONLY ONE SLOT FOR SNAP-IN POLARIZER (MILITARY POLARIZATION) LOCATED AS SHOWN.
- △ 10 POSITION SIZES CONTAIN ONLY ONE SLOT FOR DUAL POLARIZATION, LOCATED AS SHOWN.
- 4. RECOMMENDED PRINTED CIRCUIT BOARD THICKNESS IS 1.57 [0.062].
- △ DISTANCE REQUIRED BY EJECTION LATCHES IN THE OPEN POSITION.
- △ POSTS:
GOLD FLASH OVER PALLADIUM-NICKEL PLATE, 0.38µm [0.00015] MIN TOTAL ON THE LOCALIZED PLATE AREA,
2.54µm [0.00100] MIN TIN-LEAD PLATE ON THE SOLDER-TAIL,
1.27µm [0.00050] MIN NICKEL UNDERPLATE ON THE ENTIRE POST.
OR
0.38µm [0.00015] MIN GOLD PLATE ON THE LOCALIZED PLATE AREA,
2.54µm [0.00100] MIN TIN-LEAD PLATE ON THE SOLDER-TAIL,
1.27µm [0.00050] MIN NICKEL UNDERPLATE ON THE ENTIRE POST.
- △ MATERIAL:
HOUSING: GLASS FILLED NYLON OR POLYESTER, 94V-0 RATED, BLACK.
POSTS: BRASS.
- △ OBSOLETE PARTS: OBSOLETE CIS STREAMLINING PER D.RENAUD/D.SINISI



RECOMMENDED PC BOARD MOUNTING DIMENSIONS SCALE 2:1

| | F | E | D | C | B | A | NO OF POSN | PART NUMBER |
|--------------------------|-------|-------|-------|--------|-------|-------|------------|-------------|
| OBSOLETE | 53.34 | 71.12 | 65.02 | 75.18 | 71.12 | 60.96 | 44 | 1-499910-3 |
| OBSOLETE | 78.74 | 96.52 | 90.42 | 100.58 | 96.52 | 86.36 | 64 | 1-499910-2 |
| SUPERSEDED BY 1-102154-1 | 73.66 | 91.44 | 85.34 | 95.50 | 91.44 | 81.28 | 60 | 1-499910-1 |
| | 60.96 | 78.74 | 72.64 | 82.80 | 78.74 | 68.58 | 50 | 1-499910-0 |
| | 48.26 | 66.04 | 59.94 | 70.10 | 66.04 | 55.88 | 40 | 499910-9 |
| | 40.64 | 58.42 | 52.32 | 62.48 | 58.42 | 48.26 | 34 | 499910-8 |
| SUPERSEDED BY 5499910-7 | 35.56 | 53.34 | 47.24 | 57.40 | 53.34 | 43.18 | 30 | 499910-7 |
| | 30.48 | 48.26 | 42.16 | 52.32 | 48.26 | 38.10 | 26 | 499910-6 |
| | 27.94 | 45.72 | 39.62 | 49.78 | 45.72 | 35.56 | 24 | 499910-5 |
| | 22.86 | 40.64 | 34.54 | 44.70 | 40.64 | 30.48 | 20 | 499910-4 |
| | 17.78 | 35.56 | 29.46 | 39.62 | 35.56 | 25.40 | 16 | 499910-3 |
| | 15.24 | 33.02 | 26.92 | 37.08 | 33.02 | 22.86 | 14 | 499910-2 |
| | 10.16 | 27.94 | 21.84 | 32.00 | 27.94 | 17.78 | 10 | 499910-1 |

THIS DRAWING IS A CONTROLLED DOCUMENT.

DIMENSIONS: mm [INCHES]

TOLERANCES UNLESS OTHERWISE SPECIFIED:

| | | |
|--------|---|-------------|
| 0 PLC | ± | - |
| 1 PLC | ± | - |
| 2 PLC | ± | 0.13[0.005] |
| 3 PLC | ± | - |
| 4 PLC | ± | - |
| ANGLES | ± | - |

MATERIAL: △ FINISH: △

THIS DRAWING IS A CONTROLLED DOCUMENT. H. MOLL 4-23-90, R. STONE 11-28-90, NAME: HEADER ASSY, UNIVERSAL, AMP-LATCH, PRODUCT SPEC: 108-40018, APPLICATION SPEC: -

SIZE: A1, CAGE CODE: 00779, DRAWING NO: 499910, WEIGHT: -

CUSTOMER DRAWING, SCALE: 4:1, SHEET: 1 OF 1, REV: J1