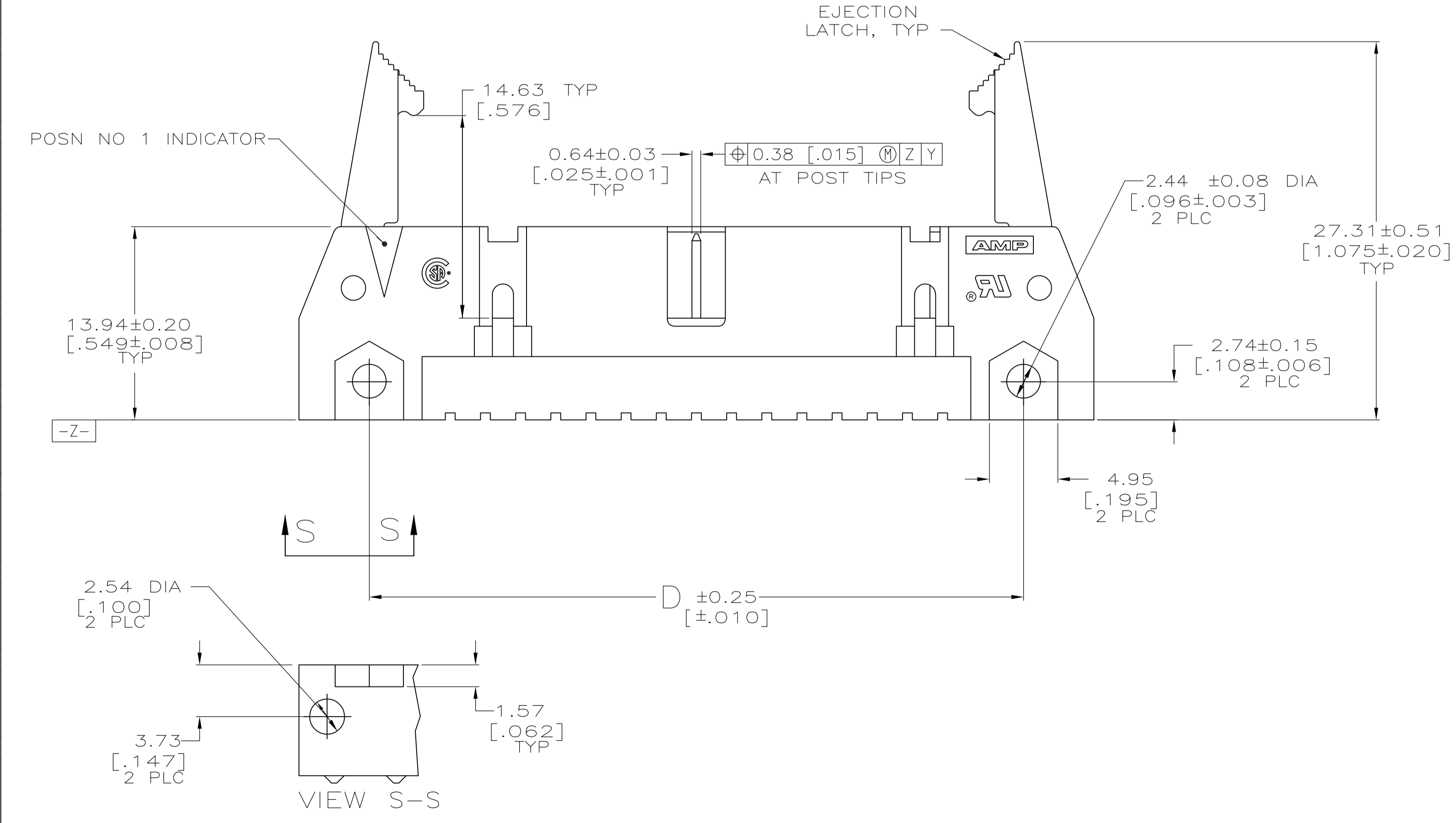
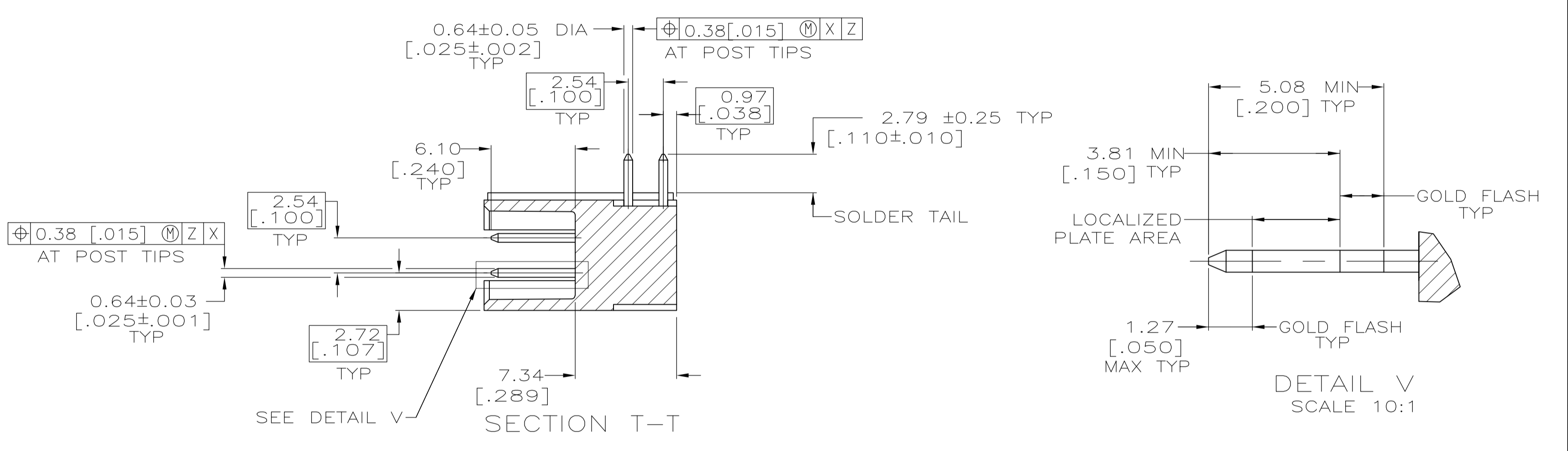
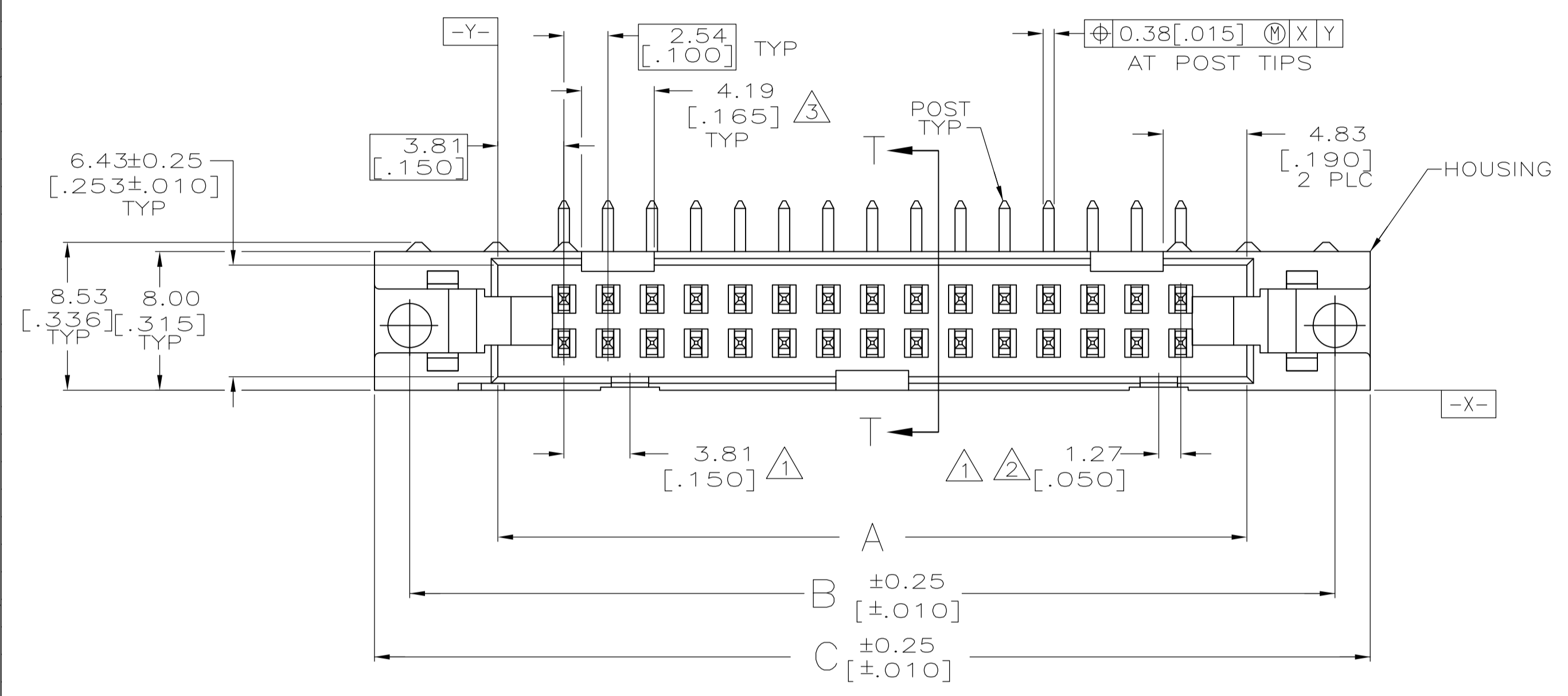


- 1. COORDINATE DIMENSION APPLIES FROM BASIC LOCATION.
- 2. 10 AND 14 POSITION SIZES CONTAIN ONLY ONE SLOT FOR SNAP-IN POLARIZER (MILITARY POLARIZATION) LOCATED AS SHOWN.
- 3. 10 POSITION SIZES CONTAIN ONLY ONE SLOT FOR DUAL POLARIZATION, LOCATED AS SHOWN.
- 4. RECOMMENDED PRINTED CIRCUIT BOARD THICKNESS IS 1.57 [.062].
- 5. DISTANCE REQUIRED BY EJECTION LATCHES IN THE OPEN POSITION.
- 6. POSTS: GOLD FLASH OVER PALLADIUM-NICKEL PLATE, 0.76µm [.000030] MIN TOTAL ON THE LOCALIZED PLATE AREA, 2.54µm [.000100] MIN TIN OR TIN-LEAD PLATE ON THE TAIL, 1.27µm [.000050] MIN NICKEL UNDERPLATE ON THE ENTIRE POST.  
-OR-  
0.76µm [.000030] MIN GOLD PLATE ON THE LOCALIZED PLATE AREA, 2.54µm [.000100] MIN TIN OR TIN-LEAD PLATE ON THE TAIL, 1.27µm [.000050] MIN NICKEL UNDERPLATE ON THE ENTIRE POST.
- 7. OBSOLETE PARTS: OBSOLETE CIS STREAMLINING PER D.RENAUD/D.SINISI

EJECTION LATCHES OMITTED IN THIS VIEW FOR CLARITY

RECOMMENDED PC BOARD MOUNTING DIMENSIONS SCALE 2:1



|                             |                  |                  |                  |                   |                  |                  |            |             |
|-----------------------------|------------------|------------------|------------------|-------------------|------------------|------------------|------------|-------------|
| OBSOLETE                    | 53.34<br>[2.100] | 65.02<br>[2.560] | 65.02<br>[2.560] | 75.18<br>[2.960]  | 71.12<br>[2.800] | 60.96<br>[2.400] | 44         | 1-499141-3  |
|                             | 78.74<br>[3.100] | 90.42<br>[3.560] | 90.42<br>[3.560] | 100.58<br>[3.960] | 96.52<br>[3.800] | 86.36<br>[3.400] | 64         | 1-499141-2  |
| 7 SUPERSEDED BY 1-5499141-1 | 73.66<br>[2.900] | 85.34<br>[3.360] | 85.34<br>[3.360] | 95.50<br>[3.760]  | 91.44<br>[3.600] | 81.28<br>[3.200] | 60         | 1-499141-1  |
|                             | 60.96<br>[2.400] | 72.64<br>[2.860] | 72.64<br>[2.860] | 82.80<br>[3.260]  | 78.74<br>[3.100] | 68.58<br>[2.700] | 50         | 1-499141-0  |
|                             | 48.26<br>[1.900] | 59.94<br>[2.360] | 59.94<br>[2.360] | 70.10<br>[2.760]  | 66.04<br>[2.600] | 55.88<br>[2.200] | 40         | 499141-9    |
|                             | 40.64<br>[1.600] | 52.32<br>[2.060] | 52.32<br>[2.060] | 62.48<br>[2.460]  | 58.42<br>[2.300] | 48.26<br>[1.900] | 34         | 499141-8    |
| 7 SUPERSEDED BY 5499141-7   | 35.56<br>[1.400] | 47.24<br>[1.860] | 47.24<br>[1.860] | 57.40<br>[2.260]  | 53.34<br>[2.100] | 43.18<br>[1.700] | 30         | 499141-7    |
|                             | 30.48<br>[1.200] | 42.16<br>[1.660] | 42.16<br>[1.660] | 52.32<br>[2.060]  | 48.26<br>[1.900] | 38.10<br>[1.500] | 26         | 499141-6    |
| SUPERSEDED BY 102160-5      | 27.94<br>[1.100] | 39.62<br>[1.560] | 39.62<br>[1.560] | 49.78<br>[1.960]  | 45.72<br>[1.800] | 35.56<br>[1.400] | 24         | 499141-5    |
|                             | 22.86<br>[.900]  | 34.54<br>[1.360] | 34.54<br>[1.360] | 44.70<br>[1.760]  | 40.64<br>[1.600] | 30.48<br>[1.200] | 20         | 499141-4    |
|                             | 17.78<br>[.700]  | 29.46<br>[1.160] | 29.46<br>[1.160] | 39.62<br>[1.560]  | 35.56<br>[1.400] | 25.40<br>[1.000] | 16         | 499141-3    |
|                             | 15.24<br>[.600]  | 26.92<br>[1.060] | 26.92<br>[1.060] | 37.08<br>[1.460]  | 33.02<br>[1.300] | 22.86<br>[.900]  | 14         | 499141-2    |
|                             | 10.16<br>[.400]  | 21.84<br>[.860]  | 21.84<br>[.860]  | 32.00<br>[1.260]  | 27.94<br>[1.100] | 17.78<br>[.700]  | 10         | 499141-1    |
|                             | F                | E                | D                | C                 | B                | A                | NO OF POSN | PART NUMBER |

THIS DRAWING IS A CONTROLLED DOCUMENT.

|   |  |                     |                                 |
|---|--|---------------------|---------------------------------|
| DIMENSIONS: mm [INCHES]   | TOLERANCES UNLESS OTHERWISE SPECIFIED: | DIN H. MOLL 4-23-90 | STE TE Connectivity             |
| 0 PLC ± -   | 1 PLC ± -                              | 11-28-90            | R. STONE                        |
| 2 PLC ± 0.13[.005]  | 3 PLC ± -                              | 11-29-90            | NAME                            |
| 4 PLC ± -   | ANGLES ± -                             | APVD S. GOOD        | PRODUCT SPEC                    |
| MATERIAL: HOUSING & LATCHES: GLASS FILLED NYLON OR POLYESTER, 90%+ REIN. BLACK POSTS: BRASS | FINISH: 6                              | APVD S. GOOD        | APPLICATION SPEC                |
|   |  | SIZE: A1            | 108-40018                       |
|   |  | WEIGHT: -           | 108-40018                       |
|   |  | CUSTOMER DRAWING    | SCALE: 4:1 SHEET 1 OF 1 REV: K2 |