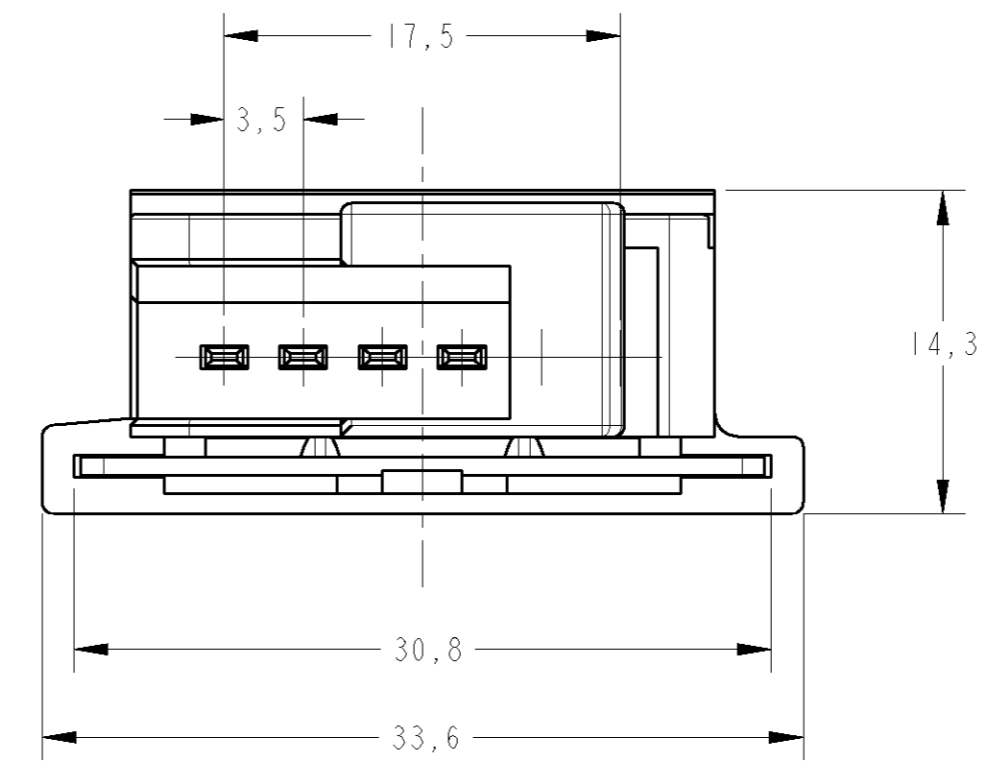
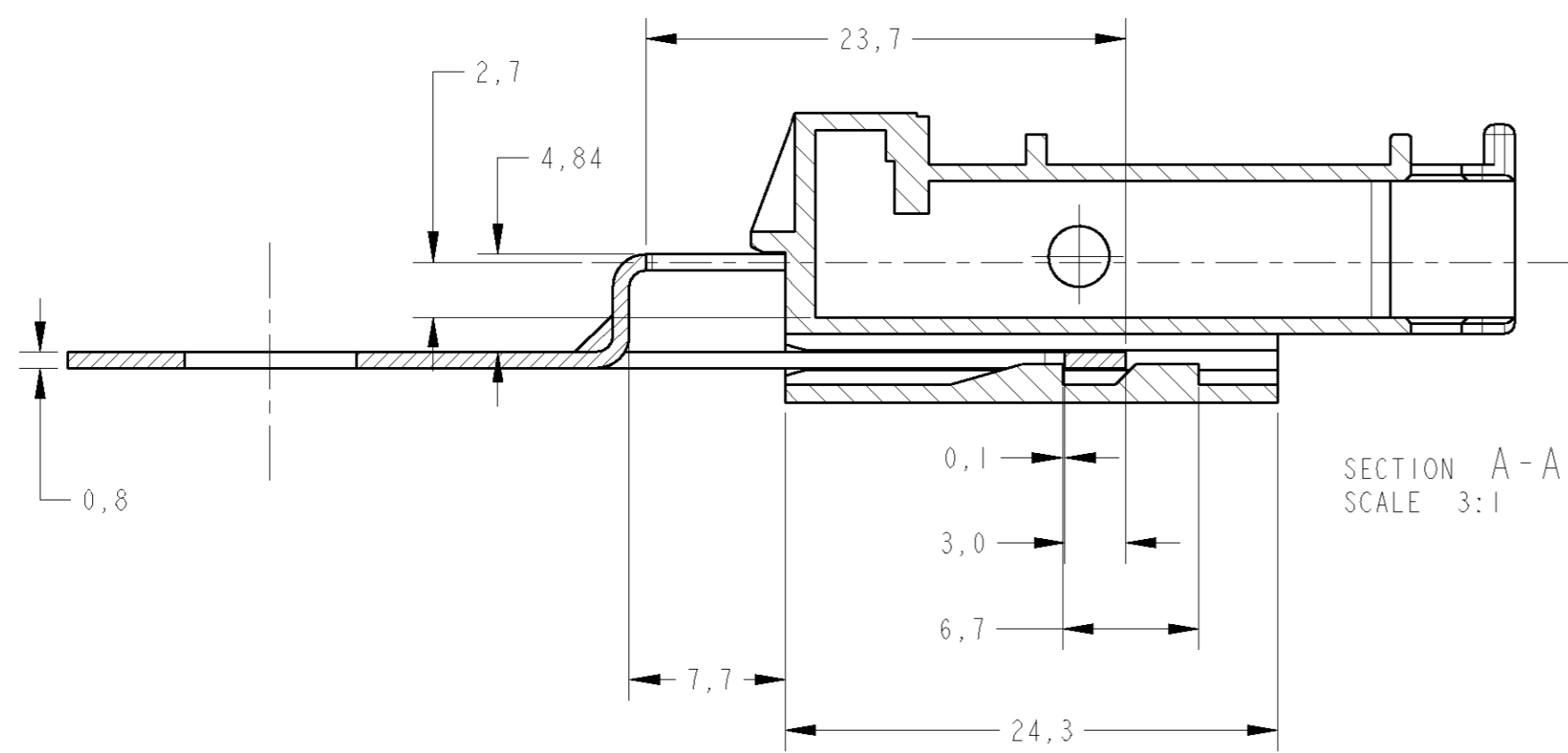
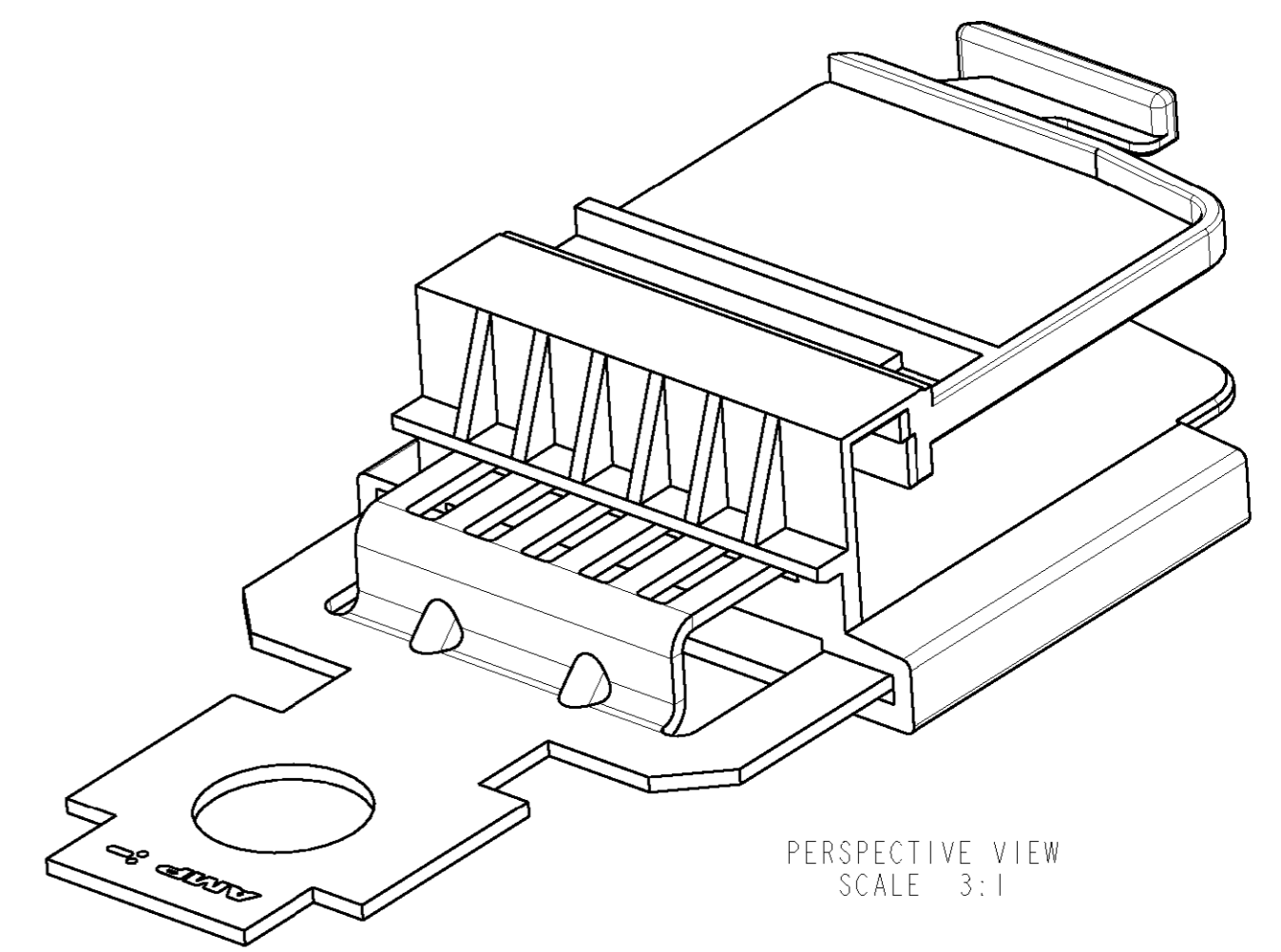
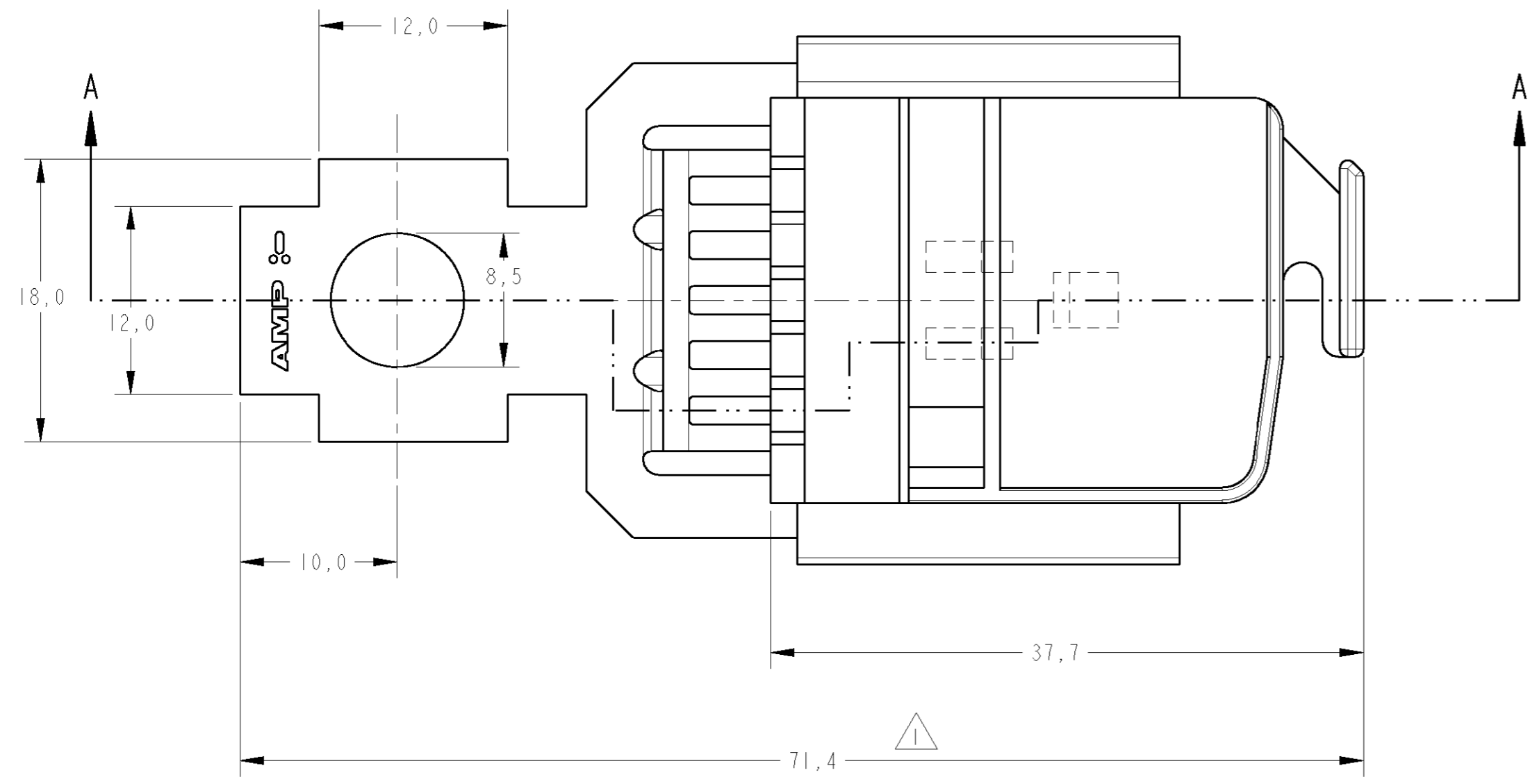


THIS DRAWING IS UNPUBLISHED. RELEASED FOR PUBLICATION  
 © COPYRIGHT 19 BY TYCO ELECTRONICS CORPORATION. ALL RIGHTS RESERVED.

LOC	DIST	REVISIONS					
AP	-	P	LTR	DESCRIPTION	DATE	DWN	APVD
		0		WAS 99-29559-001	04JAN00	AP	PLF
		D		NOTE 3 ADDED	02JUL01	MRB	PLF
		-				-	-
		-				-	-

**CAD**  
 DO NOT REVISE EXCEPT BY CAD



① - DIMENSÃO NA CONDIÇÃO DE PRÉ-TRAVA. QUANDO O TAB CONTACT FOR INSERIDO TOTALMENTE NA CONDIÇÃO DE TRAVA ESTA DIMENSÃO DEVE SER DE 64,5.

- 2 - CONTRA PEÇA PN 284128-1
- 3 - ESPECIFICAÇÃO DE PRODUTO NÚMERO 108-37056.

① - DIMENSION IN PRE LOCK CONDITION. WHEN TAB CONTACT IS FULLY INSERTED IN LOCK CONDITION THIS DIMENSION MUST BE 64.5.

- 2 - COUNTER PART PN 284128-1
- 3 - PRODUCT SPECIFICATION NUMBER 108-37056.

REQ. PER ASSY	ITEM	DESCRIPTION	MATERIAL	FINISH
1	2	BUSBAR .070 CONTACT FOR GROUNDING CONN	LATÃO / BRASS	PRÉ ESTANHADO/PRE TIN
1	1	GROUNDING CONN. 6 POSN. TAB HSG	PA66 + F.V./G.F.	PRETO/BLACK
493971				

THIS DRAWING IS A CONTROLLED DOCUMENT FOR TYCO ELECTRONICS CORPORATION. IT IS SUBJECT TO CHANGE AND THE CONTROLLING ENGINEERING ORGANIZATION SHOULD BE CONTACTED FOR THE LATEST REVISION.		DWN <b>A. PERUSSI</b> 20NOV99 CHK <b>P. L. FARIA</b> 04JAN00 APVD <b>J. M. NETO</b> 04JAN00	<b>AMP</b> AMP do Brasil LTDA. Sao Paulo, Brasil
DIMENSIONS: mm 	TOLERANCES UNLESS OTHERWISE SPECIFIED: 0 PLC ± 1 PLC ±0,3 2 PLC ± 3 PLC ± 4 PLC ± ANGLES ± FINISH SEE TABLE	NAME <b>GROUNDING CONNECTOR 6 POSN. FOR IDC .070 CONNECTOR</b> PRODUCT SPEC APPLICATION SPEC WEIGHT CUSTOMER DRAWING	SIZE <b>A2</b> CAGE CODE <b>00779</b> DRAWING NO <b>493971</b> RESTRICTED TO SCALE 3:1 SHEET 1 OF 1 REV D